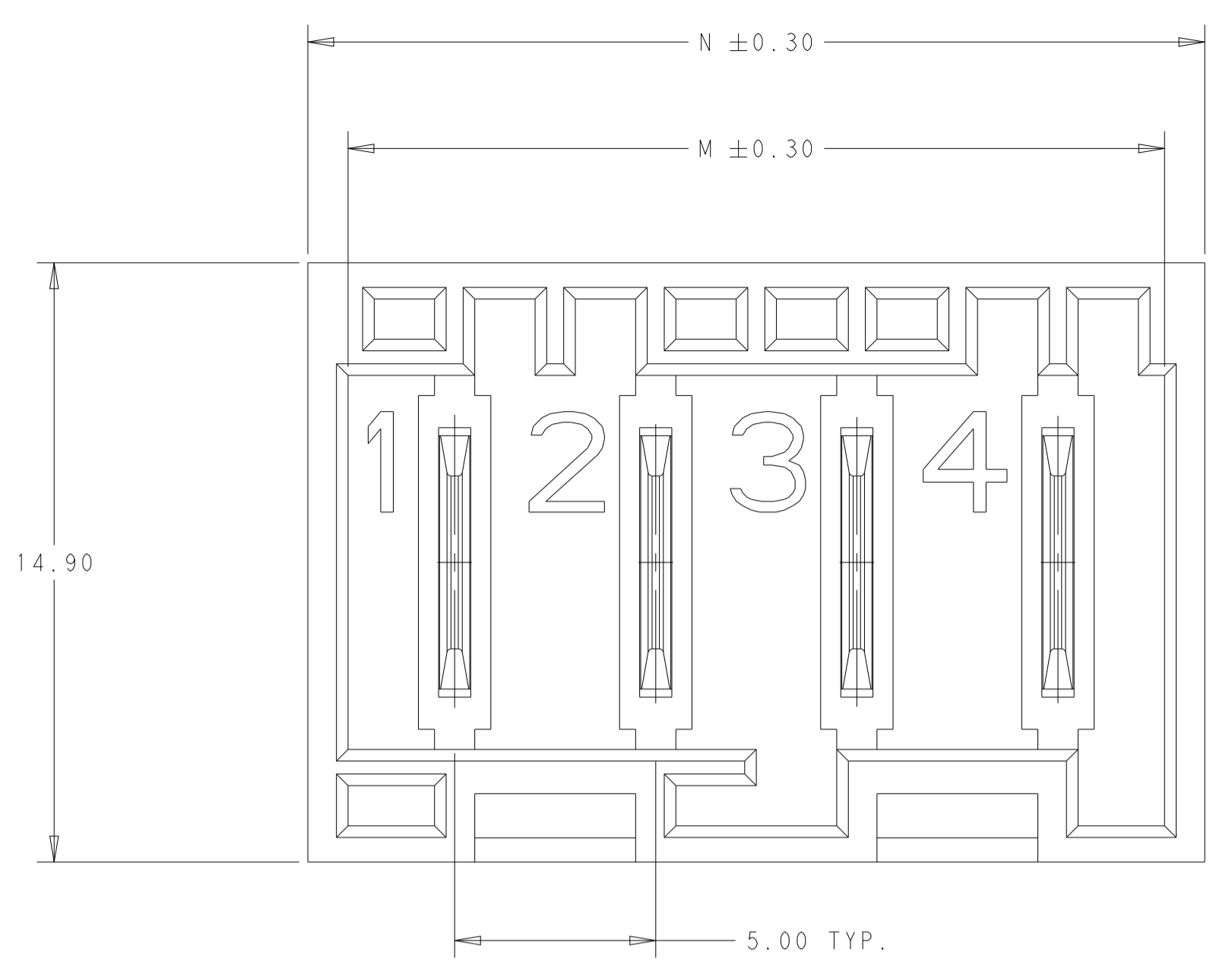
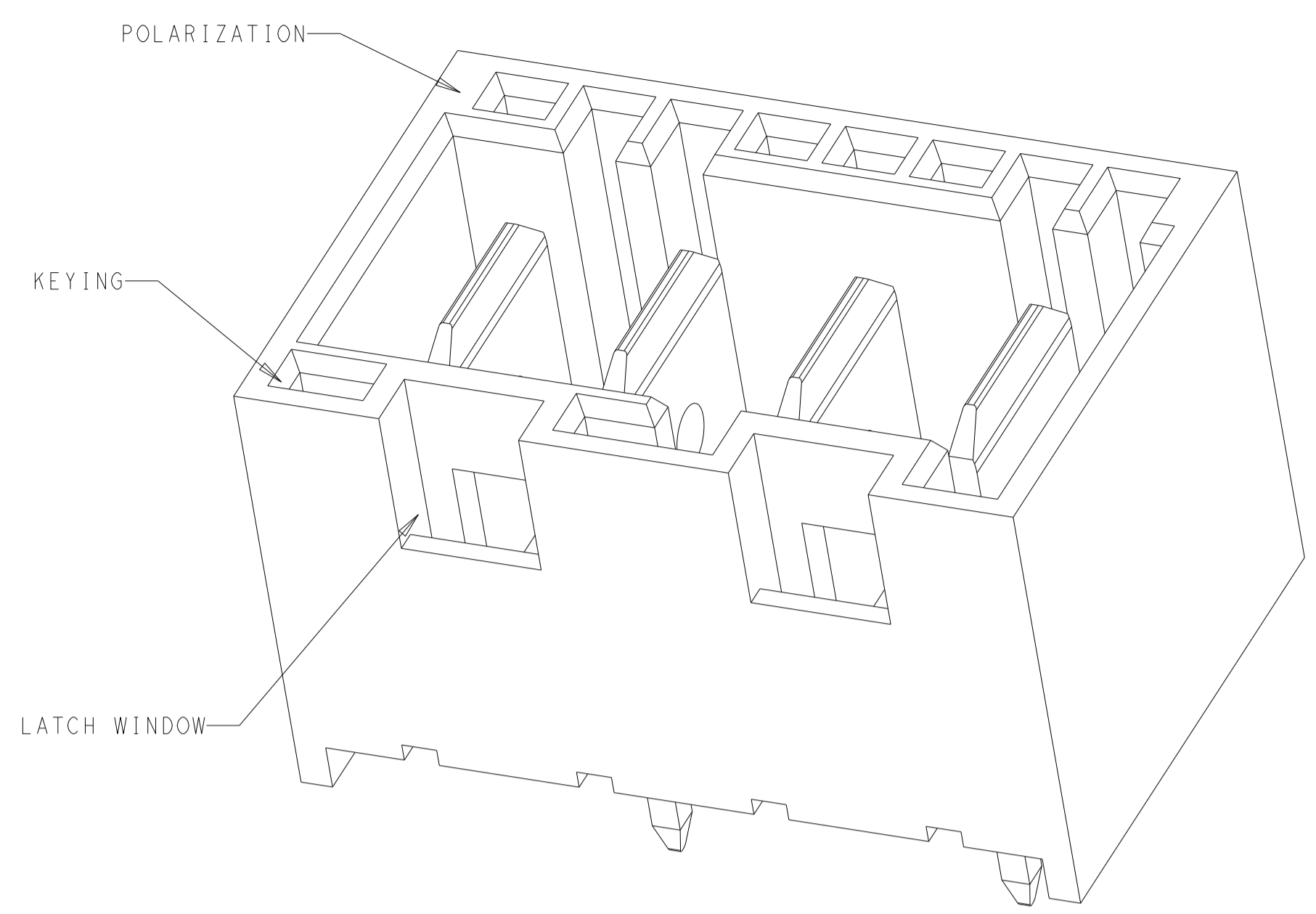
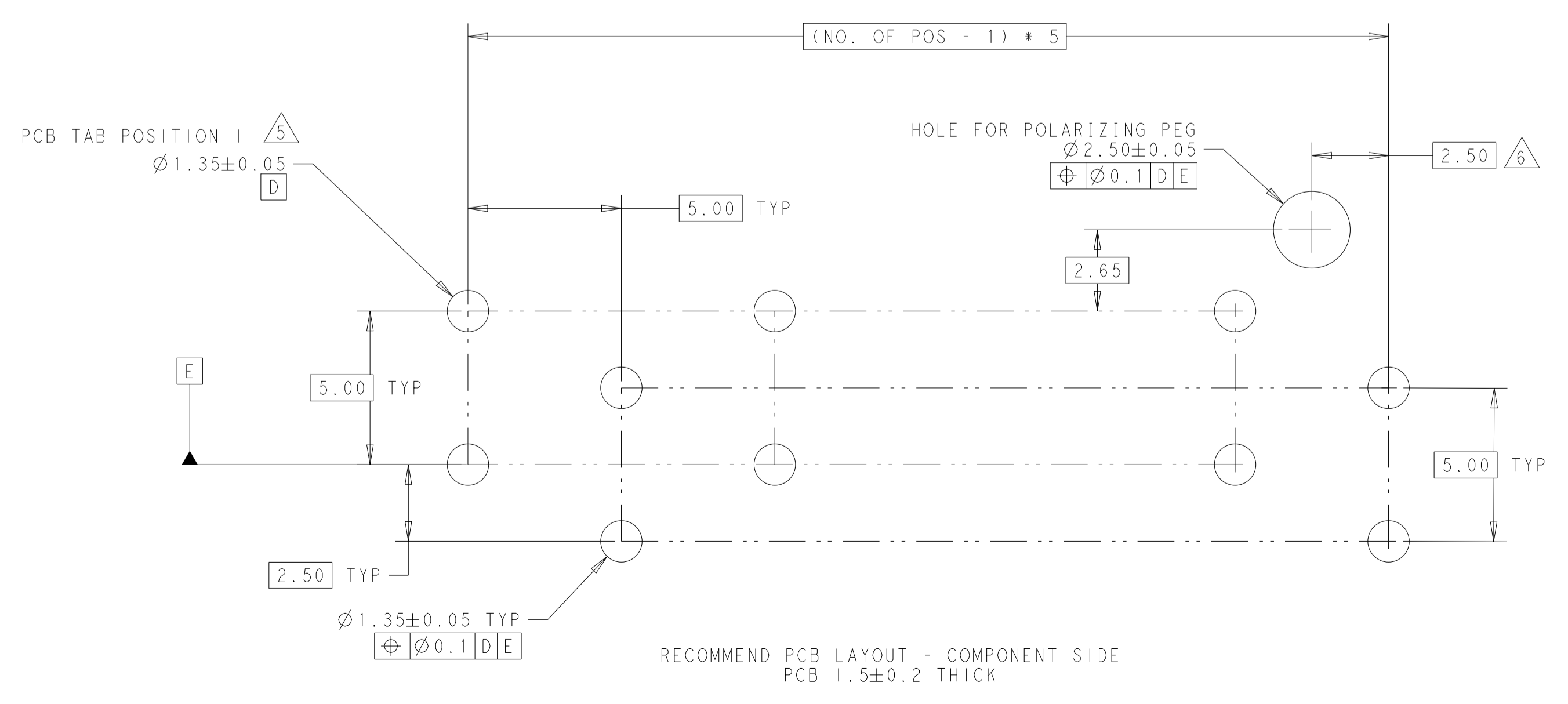
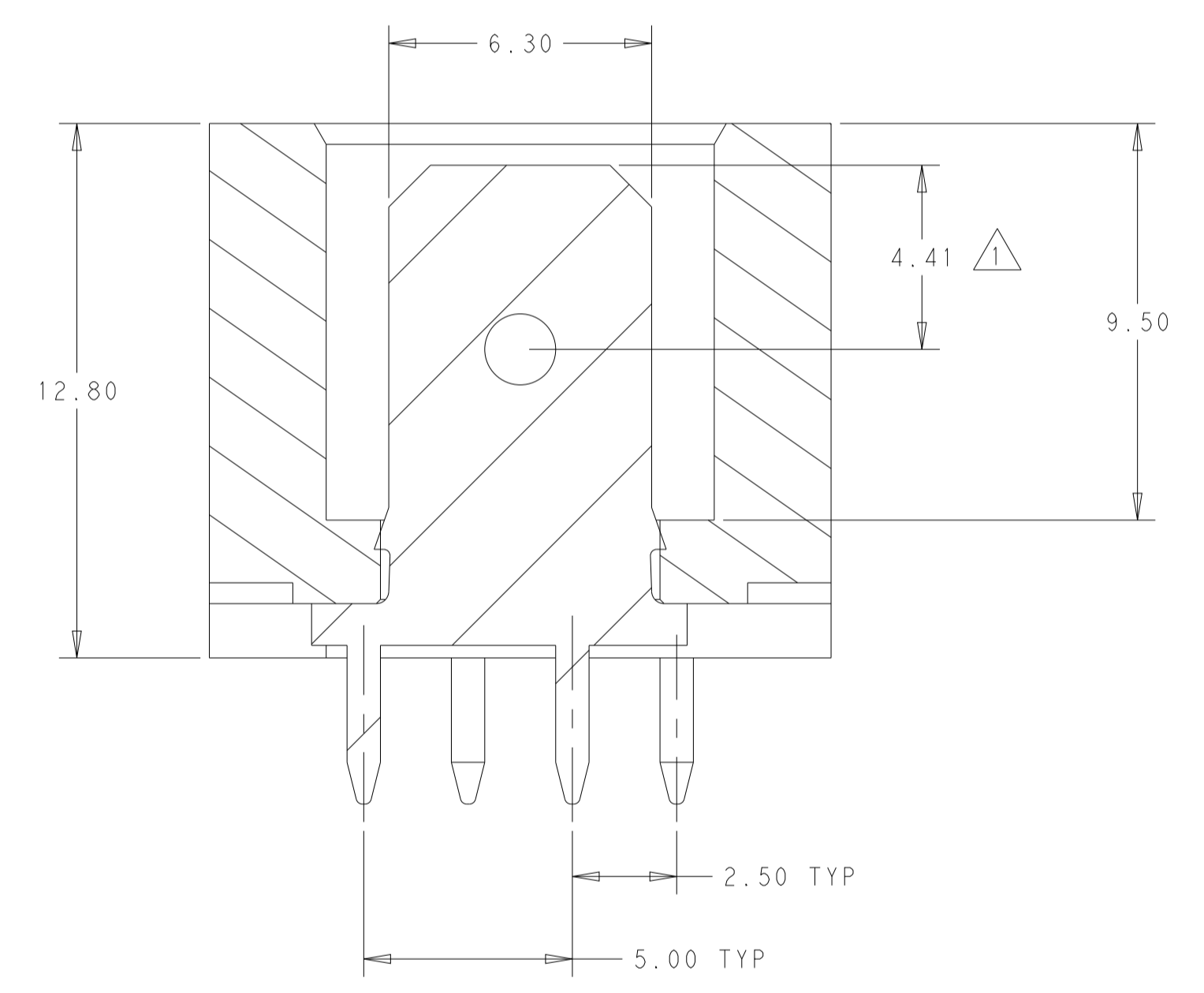
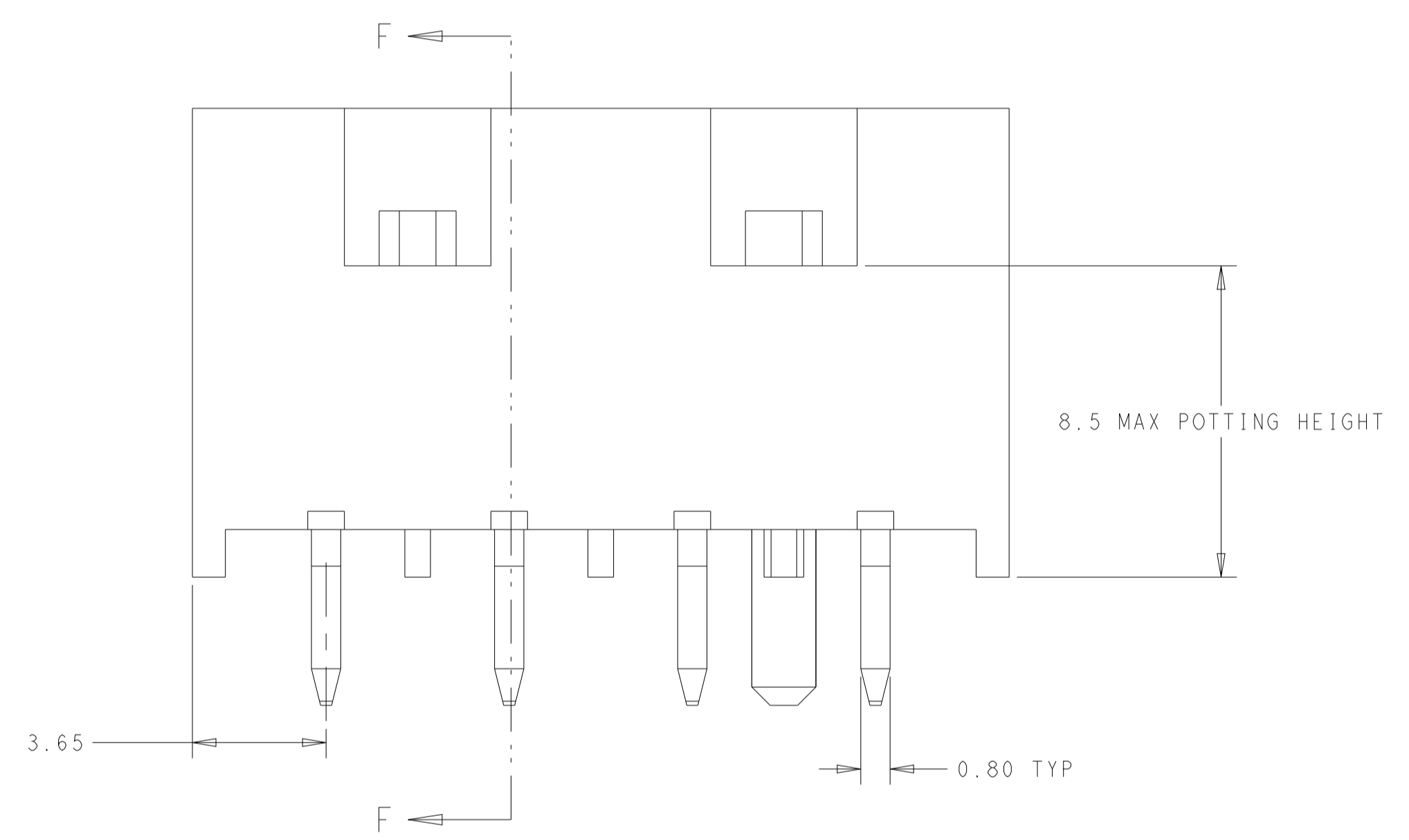
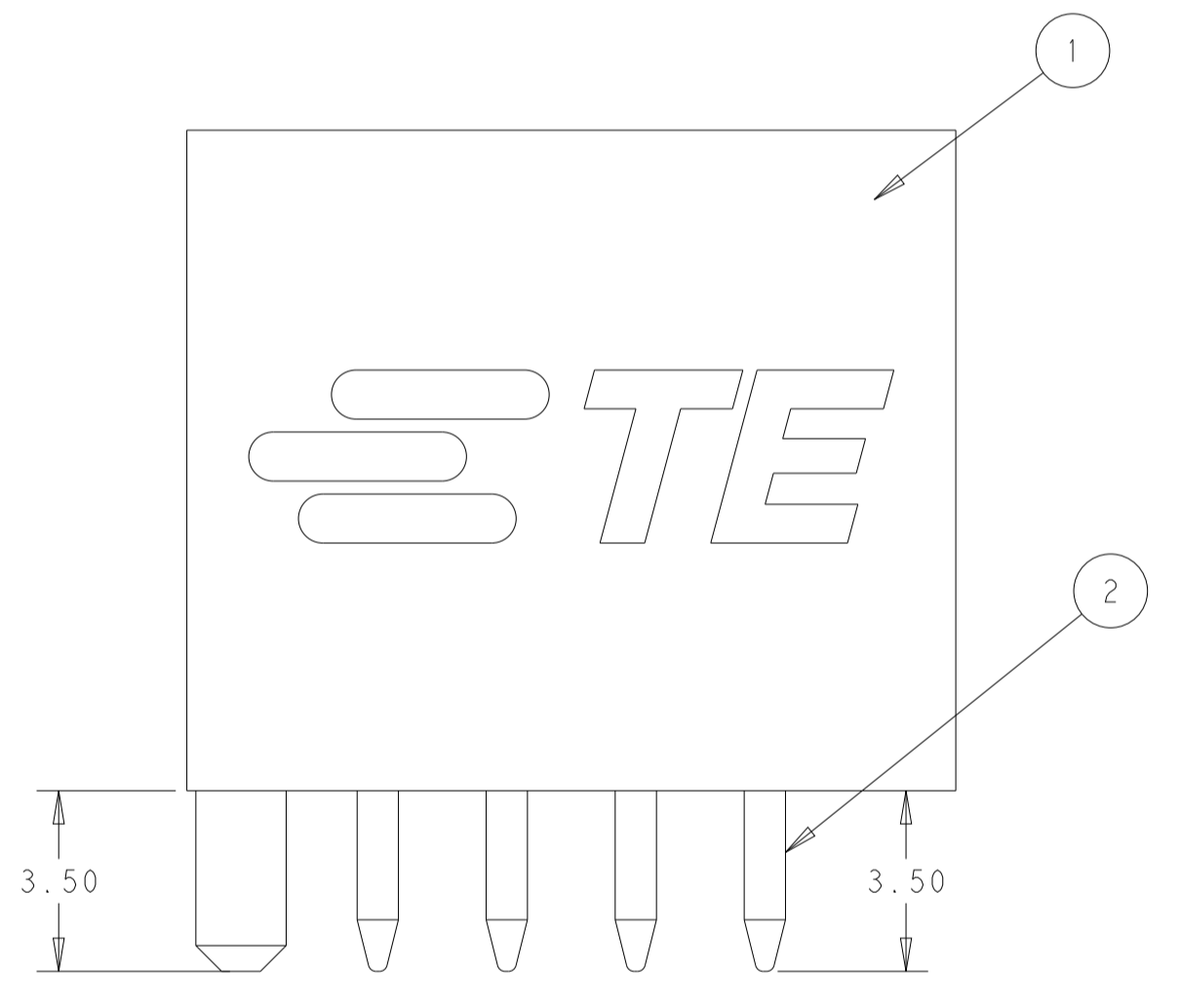


REVISIONS				
P	LTN	DESCRIPTION	DATE	APVD
A1	ECR-19-006415		13MAY2019	LZ FL
A2	ECR-19-014598		25SEP2019	LZ FL
B	ECR-21-100869		31MAR2021	PJ FL
B1	ECR-21-118862		05NOV2021	SM FL



- NOTES:
- 1 HOUSING HAS RAST 5 COMPLIANT KEYING, LATCHING, AND POLARIZATION TAB IS 6.30 X 0.8 ACCORDING TO DIN 46244
 - 2 SEE SHEET 2 FOR AVAILABLE CONFIGURATIONS
 - 3 MATERIAL: HOUSING, NYLON, UL94 V0, 750°C GWT NO FLAME CONTACT, COPPER ALLOY, 0.8MM THICK
 - 4 FINISH: CONTACTS WITH TIN:MATTE TIN PLATING OVERALL, NICKEL UNDER-PLATING CONTACTS WITH SILVER:SILVER PLATING OVERALL, NICKEL UNDER-PLATING
 - 5 PCB TABS INSERTED IN A STAGGERED PATTERN BEGINNING WITH POSITION 1
 - 6 DIMENSION OFF OF LAST POSITION REGARDLESS OF EVEN OR ODD POSITION HEADER
 - 7 PACKAGING: LOOSE PIECE
 - 8 PRELIMINARY PART - NOT RELEASED FOR PRODUCTION THIS PRODUCT HAS NOT COMPLETED QUALIFICATION TESTING



9 TOOL MARK ON TERMINAL SURFACE IS ACCEPTABLE WHICH DOES NOT IMPACT FUNCTION

20.30	22.30	4
15.30	17.30	3
10.30	12.30	2
M	N	NO. OF POS.

THIS DRAWING IS A CONTROLLED DOCUMENT.

TE Connectivity

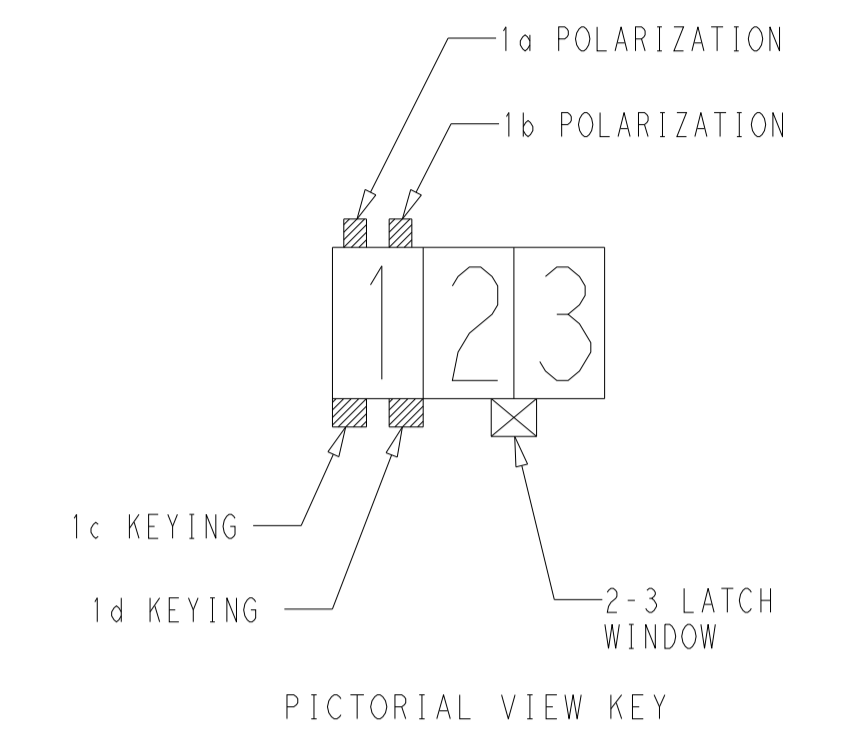
NAME: RAST 5 TAB HEADER ASSY, DIN SHROUDED, VERTICAL

SIZE: A1 CAGE CODE: - DRAWING NO: C=1969740

SCALE: 7:1 SHEET 1 OF 2 REV: B1

REVISIONS				
P	LTN	DESCRIPTION	DATE	APVD
-		SEE SHEET 1	-	-

	NATURAL	4	DIN TAB CONTACT WITH MATTE TIN PLATING	1	RAST 5 TAB HEADER HOUSING	4	1-1969740-4
		4		1		4	1969740-4 \triangle 8
		3		1		3	1-1969740-3 \triangle 8
		3		1		3	1969740-3 \triangle 8
		2		1		2	1-1969740-2 \triangle 8
		2		1		2	1969740-2
LAYOUT	COLOR	QTY	TAB CONTACT $\textcircled{2}$	QTY	HEADER HOUSING $\textcircled{1}$	NO. OF POS	TE PART NO.



	NATURAL	3	DIN TAB CONTACT WITH SILVER PLATING	1	RAST 5 TAB HEADER HOUSING	3	2355812-3
		2		1		2	2-2355812-2
		2		1		2	1-2355812-2
		2		1		2	2355812-2
LAYOUT	COLOR	QTY	TAB CONTACT \triangle	QTY	HEADER HOUSING \triangle	NO. OF POS	TE PART NO.

THIS DRAWING IS A CONTROLLED DOCUMENT.

DIMENSIONS: mm	TOLERANCES UNLESS OTHERWISE SPECIFIED:	0 PLC ±	1 PLC ±	2 PLC ±0.25	3 PLC ±	4 PLC ±	ANGLES ±3°	FINISH
MATERIAL: SEE NOTES	SEE NOTES	DWG: J. POTERJOY 09APR2015		CHK: F. LUPO 09APR2015		APVD: R. ROBONE 09APR2015		NAME: RAST 5 TAB HEADER ASSY, DIN SHROUDED, VERTICAL
CUSTOMER DRAWING		SIZE: A1	CAGE CODE: -	DRAWING NO: C=1969740	RESTRICTED TO: -	SCALE: 8:1	SHEET: 2 OF 2	REV: B1

STE TE Connectivity