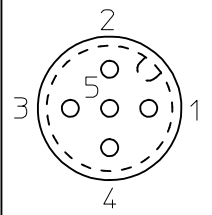


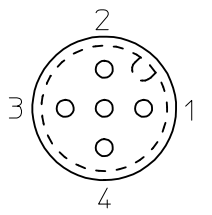
M12 5 POLE FEMALE



VIEW FROM THE WIRES SIDE

Pin	Wire color
1	BROWN
2	WHITE
3	BLUE
4	BLACK
5	GRAY OR GREEN/YELLOW

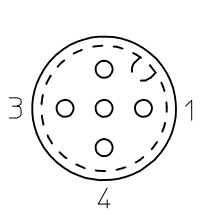
M12 4 POLE FEMALE



VIEW FROM THE WIRES SIDE

Pin	Wire color
1	BROWN
2	WHITE
3	BLUE
4	BLACK

M12 3 POLE FEMALE



VIEW FROM THE WIRES SIDE

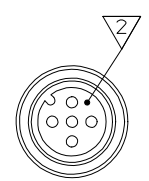
Pin	Wire color
1	BROWN
2	-
3	BLUE
4	BLACK

PART No MATRIX

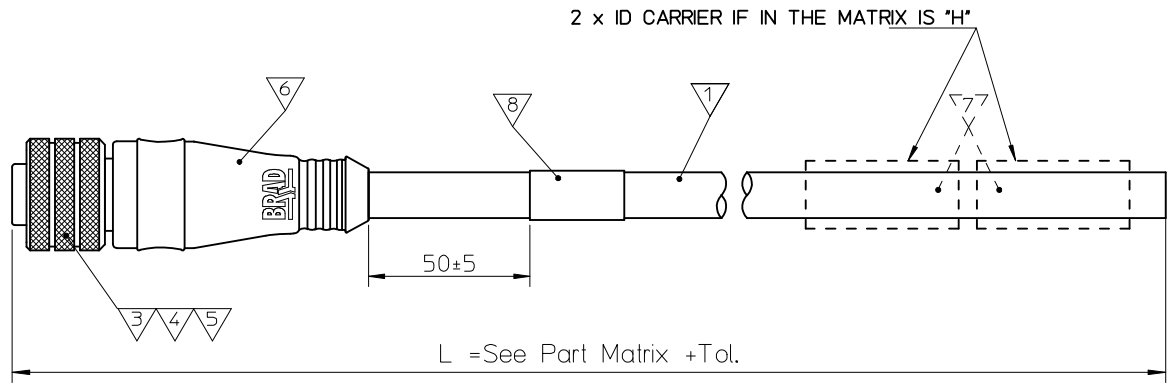
8	0	X	S	0	0	X	X	X	M	*	*	*	*	*
8=Micro Change	0=Portable	3=3 Core 4=4 Core 5=5 Core	S00 = Shielded Female Straight	CABLE TYPE S20 - Yellow SHLD PVC 0.34mm ² P20 - Black SHLD PUR 0.34mm ² S26 - Yellow SHLD PVC 0.34mm ² I26 - Gray SHLD CEI PVC 0.34mm ²			M=Metres F=Feet	LENGTH 020-2 METRES 050-5 METRES 200+20 METRES	OVERMOULD COLOUR* Blank= Standard Black A=Grey Y=Yellow G=Black * FOR CABLE: S20, S26 MOULDING YELLOW STANDARD COUPLING NUT MATERIAL Blank=Standard 1=Stainless Steel ID CARRIER H=2xID CARRIER					

Over	Up to and including	Tolerance (+)
0	305	+19
305	915	+45
915	1830	+56
1830	3660	+89
3660	7320	+165
7320	14640	+317
14640	30500	+610
30500	>	+2% of length

SHIELD CONNECTED TO THE COUPLING NUT



VIEW FROM THE FRONT SIDE



Bill of Materials

ITEM	QTY.	DESCRIPTION	MATERIAL	FINISH
8	1	LABEL	-	YELLOW
7	-	ID CARRIER	SEE MATRIX	SEE MATRIX
6	-	MOLDING MATERIAL	SEE MATRIX	SEE MATRIX
5	1	O-RING	FPM	RED
4	-	CONTACT FEMALE	SEE MATRIX	SEE MATRIX
3	1	COUPLING NUT FEMALE M12	SEE MATRIX	SEE MATRIX
2	1	INSERT M12 FEMALE	SEE MATRIX	SEE MATRIX
1	-	CABLE	SEE MATRIX	SEE MATRIX

ORIGINAL RELEASE EC NO: IPG2016-0383 DRWN:AKONDRAC IUK 2015/09/10 CHKD:MMAJGAT 2015/09/10 APPR:MIWASIECZKO 2015/09/29	QUALITY SYMBOLS ▽=0 ◻=0	GENERAL TOLERANCES (UNLESS SPECIFIED)	DIMENSION STYLE MM ONLY	SCALE ---	DESIGN UNITS METRIC	THIRD ANGLE PROJECTION																		
		<table border="1"> <thead> <tr> <th></th> <th>mm</th> <th>INCH</th> </tr> </thead> <tbody> <tr> <td>4 PLACES</td> <td>± ---</td> <td>± ---</td> </tr> <tr> <td>3 PLACES</td> <td>± ---</td> <td>± ---</td> </tr> <tr> <td>2 PLACES</td> <td>± ---</td> <td>± ---</td> </tr> <tr> <td>1 PLACE</td> <td>± ---</td> <td>± ---</td> </tr> <tr> <td>0 PLACE</td> <td>± ---</td> <td>± ---</td> </tr> </tbody> </table>		mm	INCH	4 PLACES	± ---	± ---	3 PLACES	± ---	± ---	2 PLACES	± ---	± ---	1 PLACE	± ---	± ---	0 PLACE	± ---	± ---	DRAWN BY: AKONDRAC IUK DATE: 2015/09/10	TITLE: CSE M12 XP AC FE STR XXX XM SE SHLD	MATERIAL NO.	DOCUMENT NO.
			mm	INCH																				
		4 PLACES	± ---	± ---																				
3 PLACES	± ---	± ---																						
2 PLACES	± ---	± ---																						
1 PLACE	± ---	± ---																						
0 PLACE	± ---	± ---																						
ANGULAR ± 1 °	CHECKED BY: MMAJGAT DATE: 2015/09/10	APPROVED BY: MIWASIECZKO DATE: 2015/09/29	SEE MATRIX	SD-120069-035	SHEET NO.	1 OF 1																		
DRAFT WHERE APPLICABLE MUST REMAIN WITHIN DIMENSIONS	SIZE: A3	THIS DRAWING CONTAINS INFORMATION THAT IS PROPRIETARY TO MOLEX INCORPORATED AND SHOULD NOT BE USED WITHOUT WRITTEN PERMISSION																						