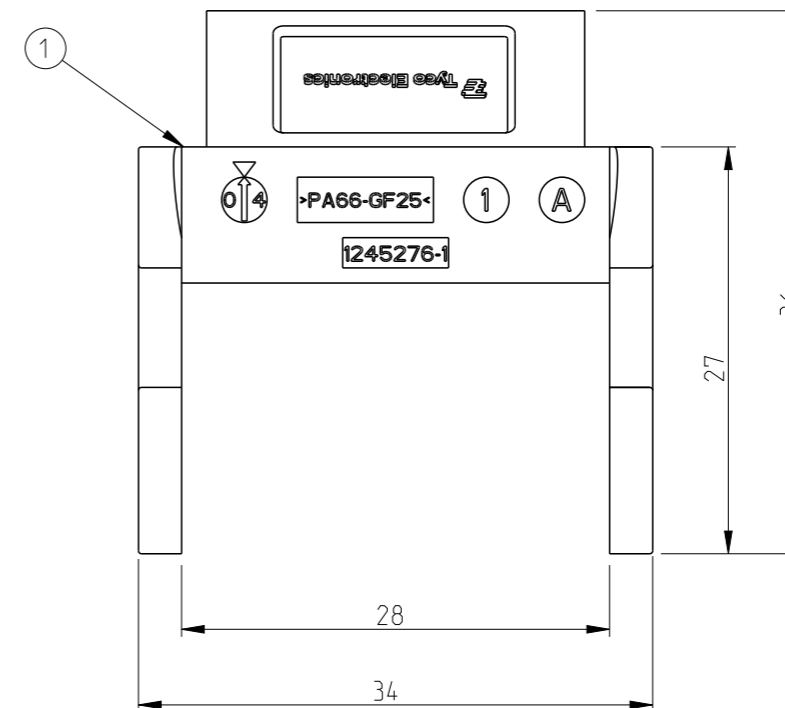
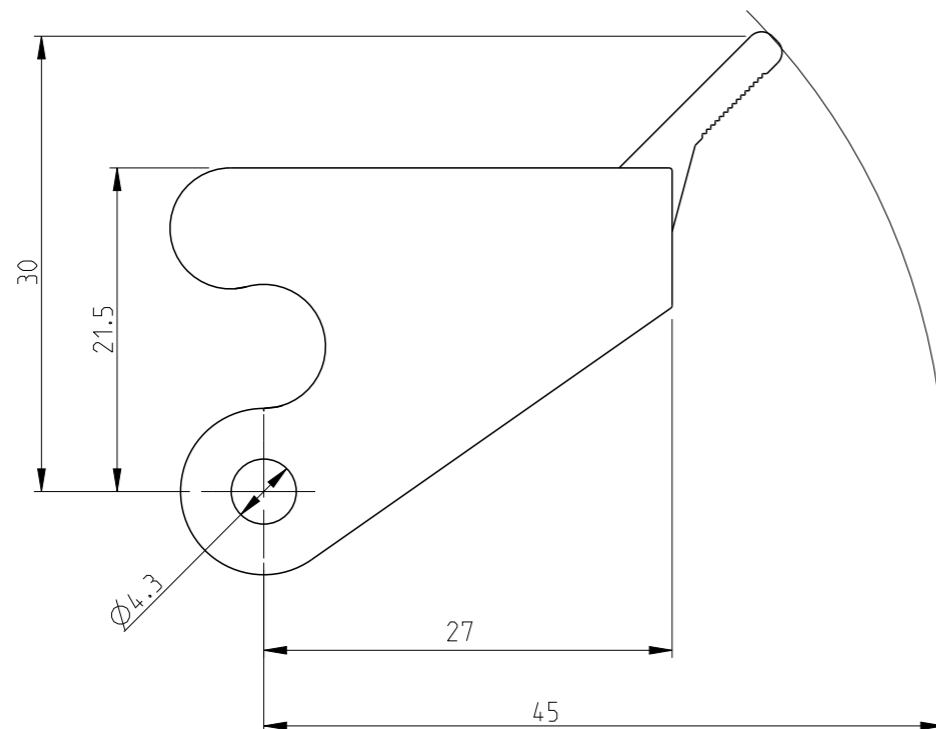


REVISIONS

P	LTR	DESCRIPTION	DATE	DWN	APVD
	A3	REVISED PER ECO-11-005107	24MAR2011	HMR	MM
	A4	REVISED PER ECR-19-002101	14AUG2020	SB	MKO



PN: 0-2 as shown

Packaging quantity: 100 pieces

1	HG-Q. SIDE CLIP	SIDE CLIP	PA66-GF25	BLACK		1
0-2	ORDERING TEXT	DESCRIPTION	MATERIAL	SURFACE	NOTES	ITEM

THIS DRAWING IS A CONTROLLED DOCUMENT.

DIMENSIONS: mm	TOLERANCES UNLESS OTHERWISE SPECIFIED: n. ISO 8015: n. ISO 2768-MH-E: n. DIN 16901-120	DWN Schneider 11.08.06	
	0 PLC ± 1 PLC ± 2 PLC ± 3 PLC ± 4 PLC ± ANGLES ±1°	CHK T. Schnurpfeil 11.08.06	
		APVD T. Schnurpfeil 11.08.06	
MATERIAL	FINISH	PRODUCT SPEC 108-74052	
		APPLICATION SPEC 114-74064	SIZE A3
		WEIGHT 0.001 KG	CAGE CODE 00779
		CUSTOMER DRAWING	DRAWING NO C=1245276
			RESTRICTED TO
			SCALE 2:1
			SHEET 1 OF 1
			REV A4