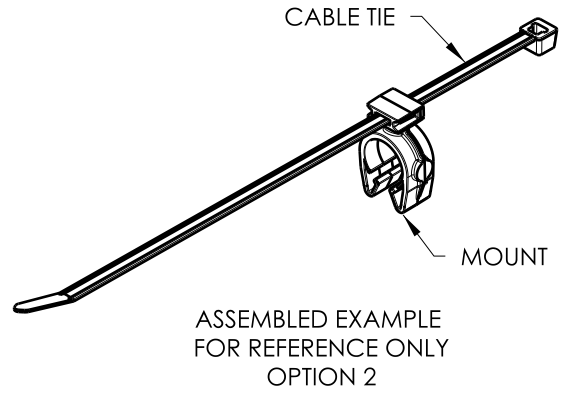
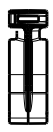
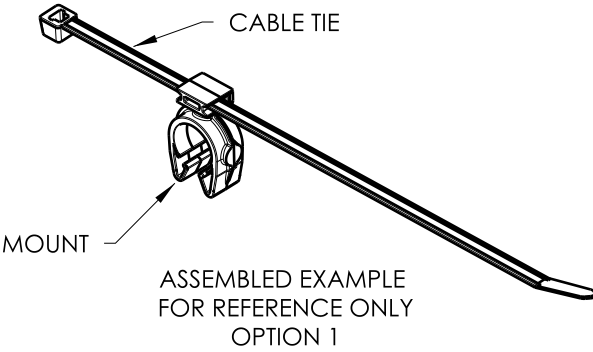


| | | | | | | | |
|----------------|----------------|------|-----------------|---------|---------|----------|---------|
| Revision Level | | | Revision Record | Changed | Date | Approved | Date |
| Drawing | State | Part | | | | | |
| 00.1 | Design Release | | SEE ECN# 013856 | TAT | 5/17/17 | EJH | 5/17/17 |



MOC14SADPPS
DELIVERY CONDITION: UNASSEMBLED SET

| TYPE | SUGGESTED DIAMETER RANGE* |
|----------------|---------------------------|
| HARNESS | 13.0MM - 15.0MM |
| HOSE | 13.0MM - 15.0MM |
| HARD PIPE/TUBE | 14.0MM - 15.8MM |

*RECOMMENDED SIZES MAY DIFFER DEPENDING ON THE APPLICATION, PRODUCT REQUIREMENTS AND MATERIALS USED



T50RPPS
DELIVERY CONDITION: UNASSEMBLED SET

| UNS-UNIVERSAL NUMBER SYSTEM | TYPE | BUNDLE RANGE | CABLE TIE | | | CLIP | | |
|-----------------------------|-------------|--------------|-----------------|----------|-------|-----------------|-----------|-------|
| | | | DRAWING | MATERIAL | COLOR | DRAWING | MATERIAL | COLOR |
| 156-01817 | T50RMOC14SD | 4 TO 50 | 15-0875-001-CSU | PA66HS | BLACK | 16-0320-078-CSU | PA66HIRHS | BLACK |

Material
SEE CHART
COLOR: SEE CHART

Units **millimeters**

Tolerance defined on each dimension

The copyright of this drawing is reserved by HellermannTyton. It is issued on condition that it is not reproduced, copied or disclosed to a third party, either wholly or in part, without the consent of HellermannTyton.

Drawn TAT 4/12/17
Approved EJH 4/12/17
HellermannTyton
North America
Email: corp@htamericas.com
Web: www.hellermann.tyton.com

Article/Type-No SEE CHART
Title 14MM (9/16") MOC WITH T50R CABLE TIE
Drawing-No PROTOTYPE : Phase
16-0320-108-CSU

Scale 1:2
Project Number 16-0320
Format AH
Sheet 1/1