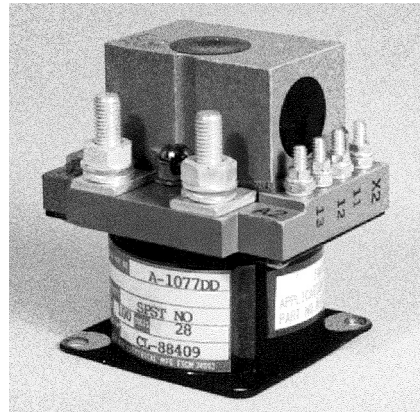


## A-1077 Series, Rated up to 100 Amps, 28 Vdc

### Product Facts

- SPST NO, Double Break or SPDT Double Break
- Gasket Sealed
- Auxiliary contacts available
- Meets many requirements of MIL-PRF-6106



### Performance Data

#### Electrical Characteristics

##### Main Contact Configuration —

A-1077DD — SPST NO

A-1077S — SPDT

**Rated Operating Voltage** —  
28 Vdc

**Main Contact Rating** —

**Resistive Rating** — 100 Amps

**Inductive Rating** — 100 Amps

**Motor Rating** — 100 Amps

**Interrupt Rating** — 1,200 Amps

**Auxiliary Contacts** —

**Resistive Rating** —  
5 Amp, 28 VAC/115 VAC

### General Characteristics

**Temperature Range** —  
-55°C to +71°C

**Operating Cycles (Life) at Rated Resistive Load, Min.** —  
50,000 cycles

**Operating Cycles (Life) Mechanical, Min.** — 100,000 cycles

**Dielectric Strength** —  
All Circuits to Ground — 1,250 Vrms  
Circuit to Circuit — 1,250 Vrms  
Coil to Ground and Aux. Contacts —  
1,000 Vrms

**Altitude, Max.** — 50,000 ft.

**Weight, Max.** — 1.5 to 2 lbs

### Coil Characteristics

#### Coil Characteristics

**Duty Cycle** — Continuous

**Operating Voltage, Max.** — 32 Vdc

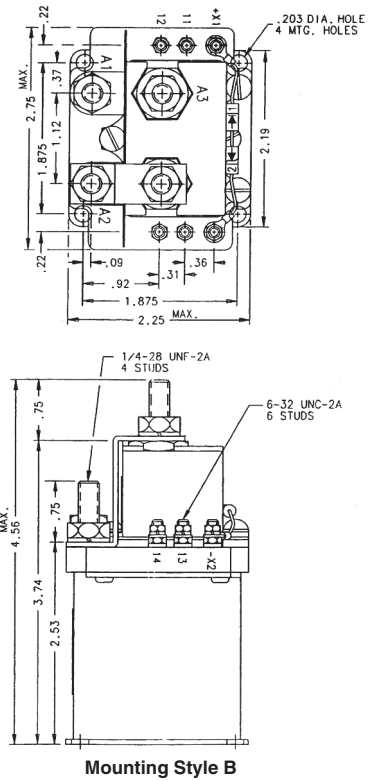
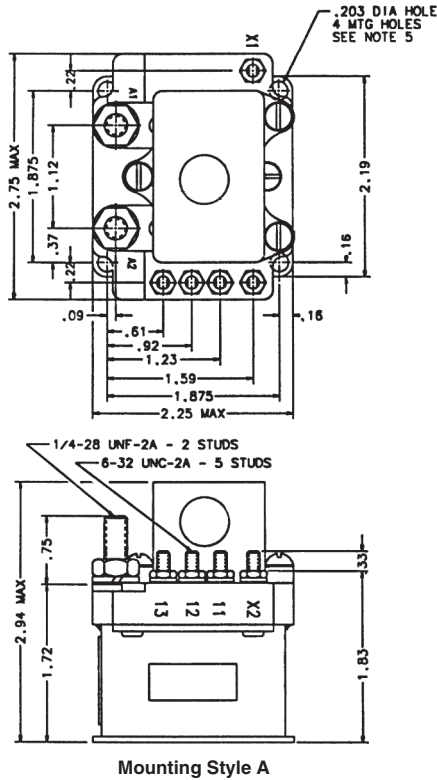
**Operating Voltage, Min.** — 24 Vdc

**Pickup Voltage @ 25°C, Max.** —  
16.5 Vdc

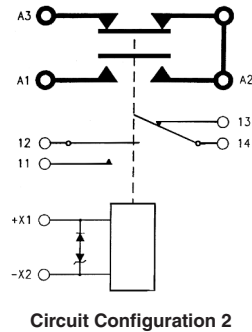
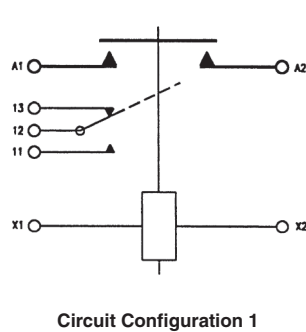
**Dropout Voltage** — 1 to 7 Vdc

For factory-direct application assistance, phone 419-521-9500 or fax 419-526-2749.

**A-1077 Series, Rated up to 100 Amps, 28 Vdc** (Continued)



**Circuit Configurations** (Consult factory for other available circuit configurations)



HARTMAN Part Number	Construction Type	Mounting Style	Coil Type	Circuit Config.	TE Part Number
A-1077DD	Gasket Sealed	A	Continuous	1	1616055-3
A-1077S	Gasket Sealed	B	Continuous, w/ Suppression	2	1616081-3

For factory-direct application assistance, phone 419-521-9500 or fax 419-526-2749.