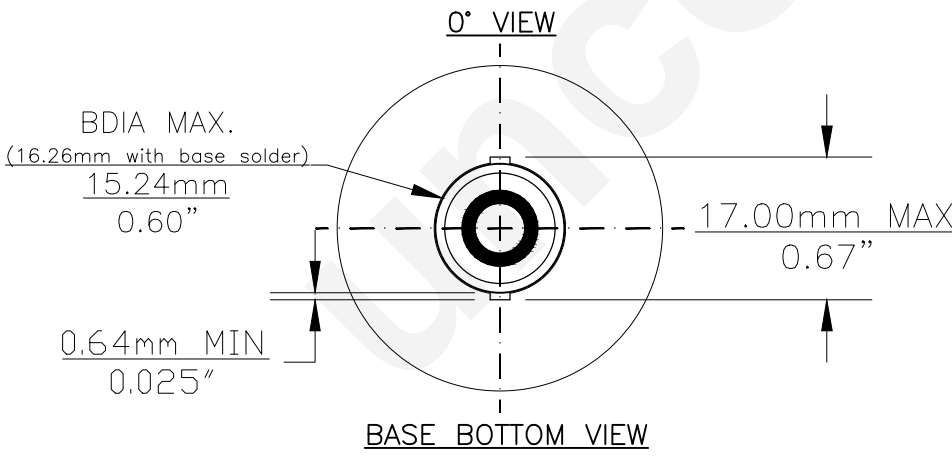
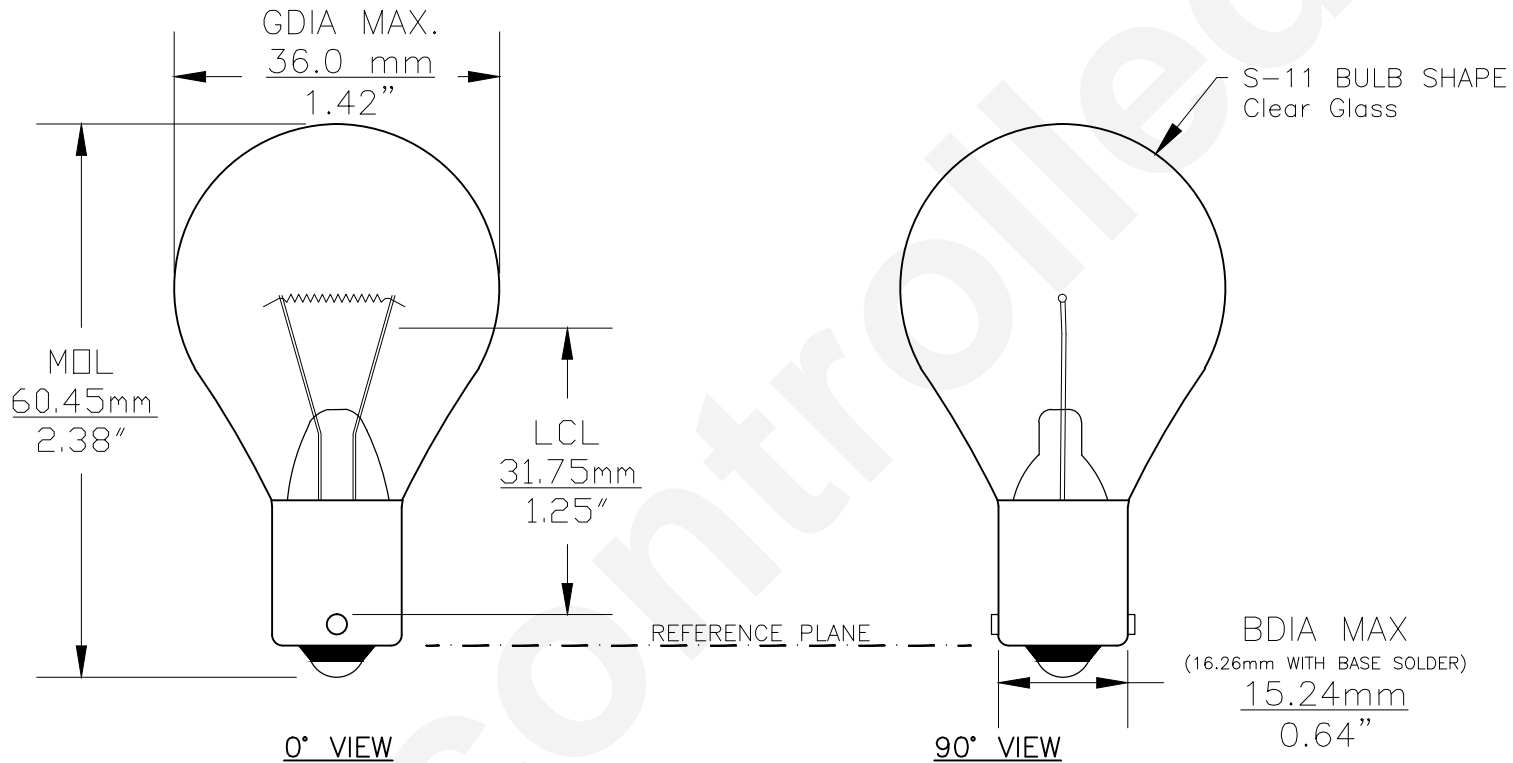




PART NO.	BASE TYPE	DESIGN VOLTS	DESIGN AMPS	MSCD	FILAMENT TYPE	AVERAGE LIFE HOURS
1723	S.C. Bayonet (BA15s)	6.2V	4.5±10%	32±20%	C-6	400

REVISIONS			
REV #	DESCRIPTION	DATE	APPROVED
1	ISSUED	10/31/2014	R.M.



Note: Made according to SAE specifications



UNLESS OTHERWISE SPECIFIED: DIMENSIONS ARE IN INCHES TOLERANCES		CEC INDUSTRIES LTD	
DECIMALS	ANGULAR	599 BOND STREET LINCOLNSHIRE, IL 60069	
.XX ± .05	± 0.5°	TITLE LIGHT BULB NO. 1723	
.XXX ± .010		SIZE A	REV 1
FRACTIONAL	± 1/64	FSCM NO.	DWG NO. 1723
DRAWN ROSE MEDINA		SCALE	SHEET 1 OF 1
DATE 10/31/2014		PLOT SCALE	
CHECKED		FILE 1723.pdf	DRAWING NOT TO SCALE
DESIGN			
MATERIAL			