

1. 製品名称／PRODUCT NAME : SPOT-ON 2.0 W/B SMT RETAINER

製品番号／PART NUMBER : 2011964**0

(**は極数を示す)

(** IS CIRCUITS SIZE)

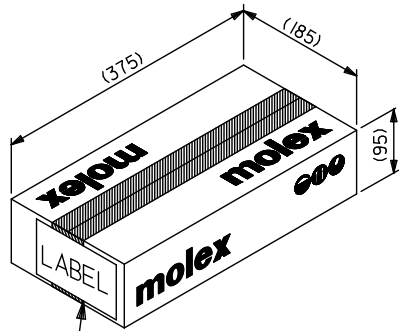
2. 標準梱包数／STANDARD PACKAGING QUANTITY

極 数 CKT. SIZE	ポリ袋 POLY BAG	内装カートン PRIMARY CARTON		外装カートン SHIPPING CARTON
	1袋中の製品数 QUANTITY IN ONE BAG	ポリ袋の数 NUMBER OF POLY BAG	製品数 QUANTITY	製品数(内装カートン×4) QUANTITY (PRIMARY CARTON X4)
2	500	7	3,500	14,000
3	500	6	3,000	12,000
4	500	6	3,000	12,000
5	200	10	2,000	8,000
6	200	10	2,000	8,000
7	200	9	1,800	7,200
8	200	9	1,800	7,200
9	200	9	1,800	7,200
10	200	8	1,600	6,400
11	200	8	1,600	6,400
12	200	8	1,600	6,400
13	200	8	1,600	6,400
14	200	8	1,600	6,400
15	200	8	1,600	6,400
16	100	8	800	3,200
17	100	8	800	3,200
18	100	8	800	3,200
19	100	8	800	3,200
20	100	8	800	3,200

REV.	B		
SHEET	1~2		
REVISE ON PC ONLY		TITLE:	
B	REVISED 118238 2017/06/16 Y.TOKUZONO	2011964***梱包仕様書 SALES PACKAGING SPEC. FOR 2011964***	
	THIS DOCUMENT CONTAINS INFORMATION THAT IS PROPRIETARY TO MOLEX ELECTRONIC TECHNOLOGIES, LLC AND SHOULD NOT BE USED WITHOUT WRITTEN PERMISSION		
REV.	DESCRIPTION		
DESIGN CONTROL J	STATUS	WRITTEN BY: YTOKUZONO	CHECKED BY: K.TAKAHASHI
		APPROVED BY: M.SASAO	DATE: 2017/03/13

DOCUMENT NUMBER 2011969200	DOC. TYPE PS	DOC. PART 201	CUSTOMER GENERAL	SHEET 1 OF 2
-------------------------------	-----------------	------------------	---------------------	-----------------

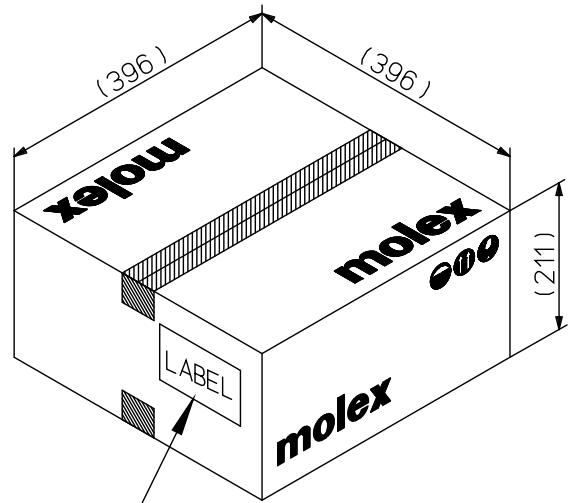
3. カートン外形参考寸法 / CARTON OUTER DIMENSIONS (REFERENCE PURPOSE ONLY) 単位 / UNIT: mm



カートンラベル
CARTON LABEL

(製品型番, 数量, ロットNO. 表示)
INDICATION OF PART No., QUANTITY, LOT No.

内装カートン
PRIMARY CARTON



カートンラベル
CARTON LABEL

(製品型番, 数量, ロットNO. 表示)
INDICATION OF PART No., QUANTITY, LOT No.

外装カートン
SHIPPING CARTON

REVISE ON PC ONLY		TITLE:			
B	SEE SHEET 1 OF 2	2011964***梱包仕様書 SALES PACKAGING SPEC. FOR 2011964***			
	REV.	DESCRIPTION	THIS DOCUMENT CONTAINS INFORMATION THAT IS PROPRIETARY TO MOLEX ELECTRONIC TECHNOLOGIES, LLC AND SHOULD NOT BE USED WITHOUT WRITTEN PERMISSION		
DOCUMENT NUMBER 2011969200		DOC. TYPE PS	DOC. PART 201	CUSTOMER GENERAL	SHEET 2 OF 2