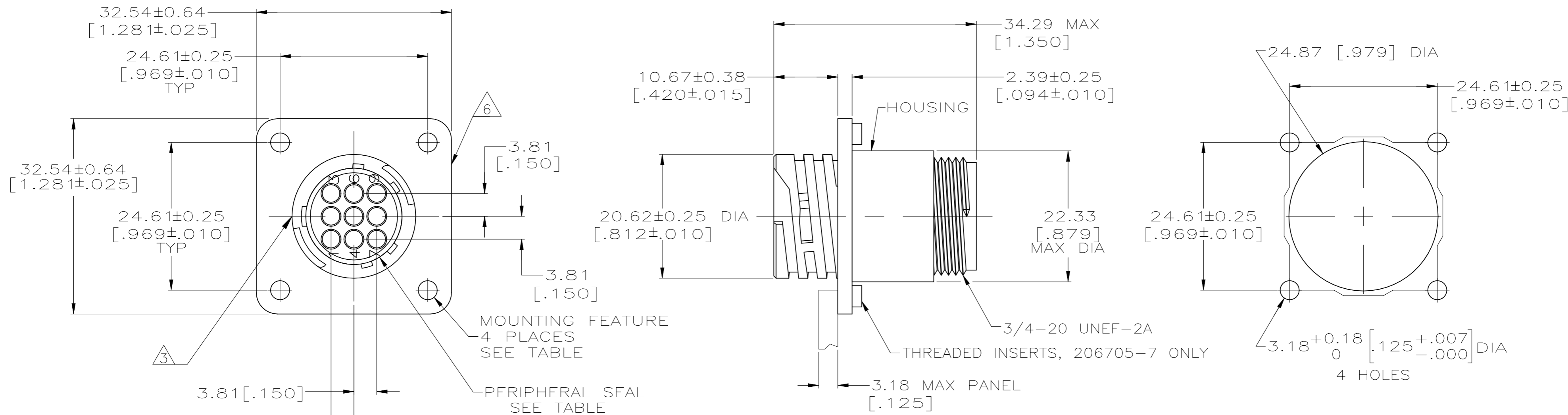
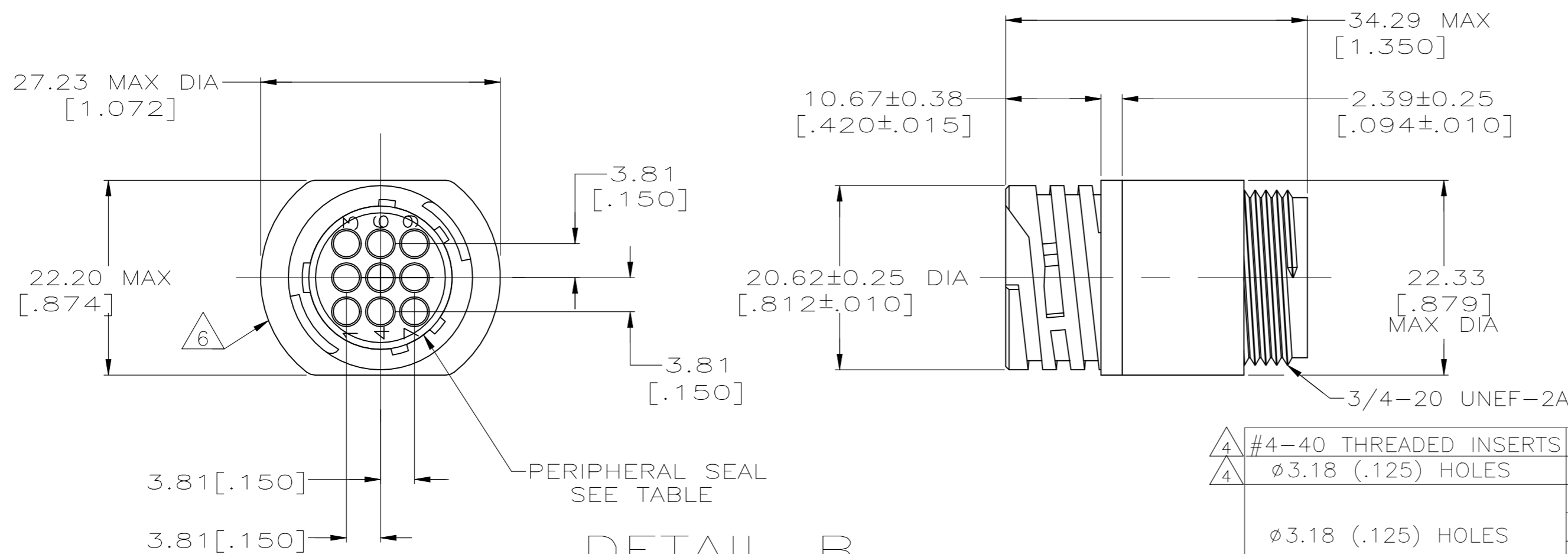


REVISIONS					
P	LTR	DESCRIPTION	DATE	DWN	APVD
R1		REVISED PER ECN-22-165832	22JUL2022	RK	MZ



DETAIL A

RECOMMENDED PANEL CUTOUT



DETAIL B

#4-40 THREADED INSERTS		NO	A	206705-7
ø3.18 (.125) HOLES	3	NO	A	206705-5
ø3.18 (.125) HOLES		YES	B	206705-4
		YES	A	206705-3
		NO	B	206705-2
		NO	A	206705-1
MOUNTING FEATURE	NOTES	PERIPHERAL SEAL	SEE DETAIL	PART NUMBER

- 1 CAVITY IDENTIFICATION ON FRONT AND REAR FACE.
- 2 RECEPTACLE WILL ACCEPT NINE (9) MULTIMATE PIN CONTACTS.
- 3 WHITE DOT OVER MAJOR KEY, APPROX WHERE SHOWN.
- 4 OBSOLETE PART NUMBER.
- 5 MATERIALS
 HOUSING: PA66, BLACK
 PERIPHERAL SEAL: NITRILE BUTADIENE RUBBER, BLACK
 THREADED INSERTS: BRASS

6 TE LOGO AND PART NUMBER LOCATED ON ANY FLANGE EDGE

THIS DRAWING IS A CONTROLLED DOCUMENT.

DIMENSIONS: MM [INCHES]	TOLERANCES UNLESS OTHERWISE SPECIFIED:	DWN D.HARDY 05/19/94	TE Connectivity
		CHK R.STONE 05/20/94	
		APVD -	NAME
		PRODUCT SPEC 108-10024	RECEPTACLE HOUSING, STANDARD SEX, SHELL SIZE 13, CPC
MATERIAL	FINISH	WEIGHT -	SIZE A2 CAGE CODE 00779 DRAWING NO C=206705 RESTRICTED TO -
		CUSTOMER DRAWING	SCALE 2:1 SHEET 1 OF 1 REV R1