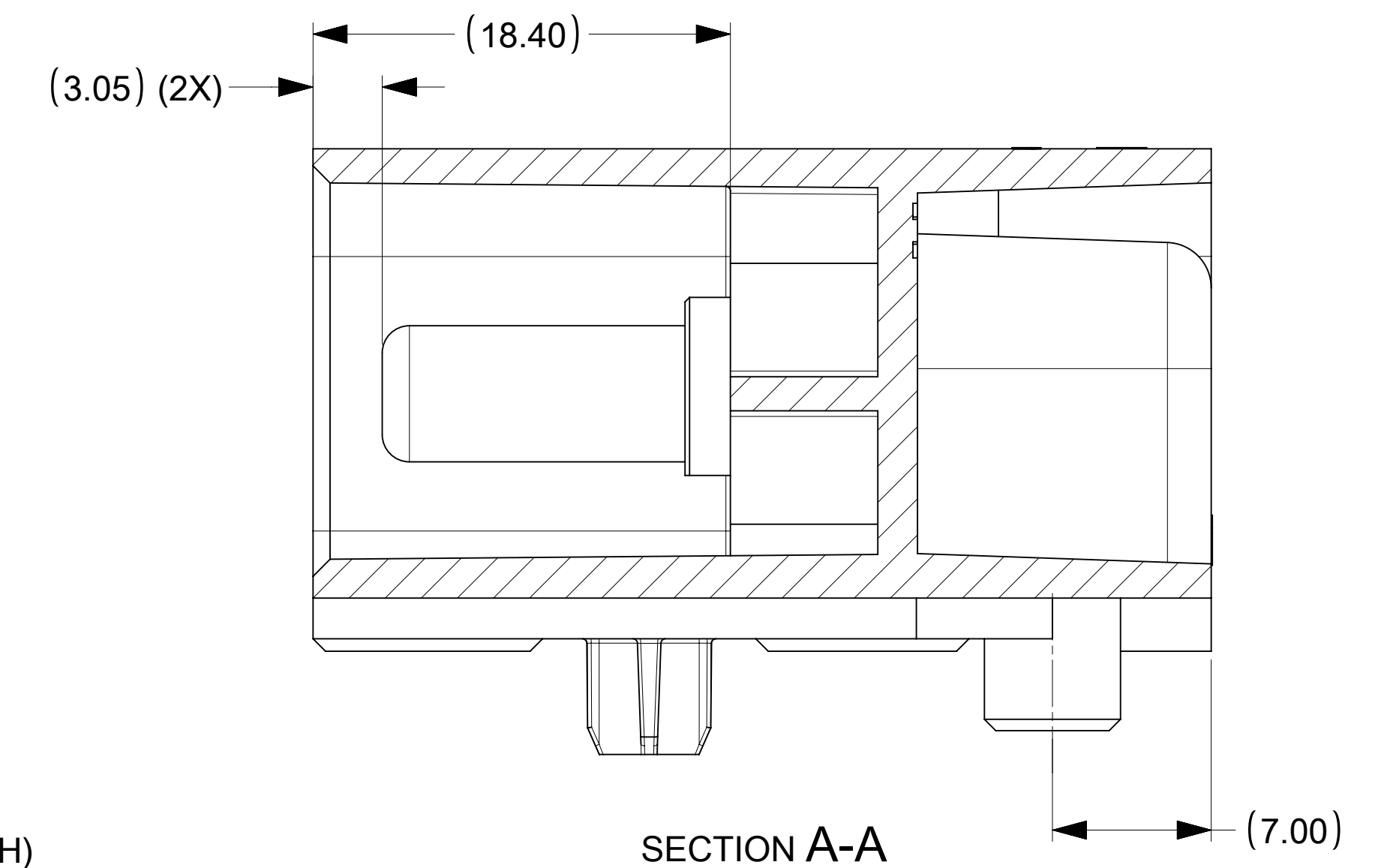
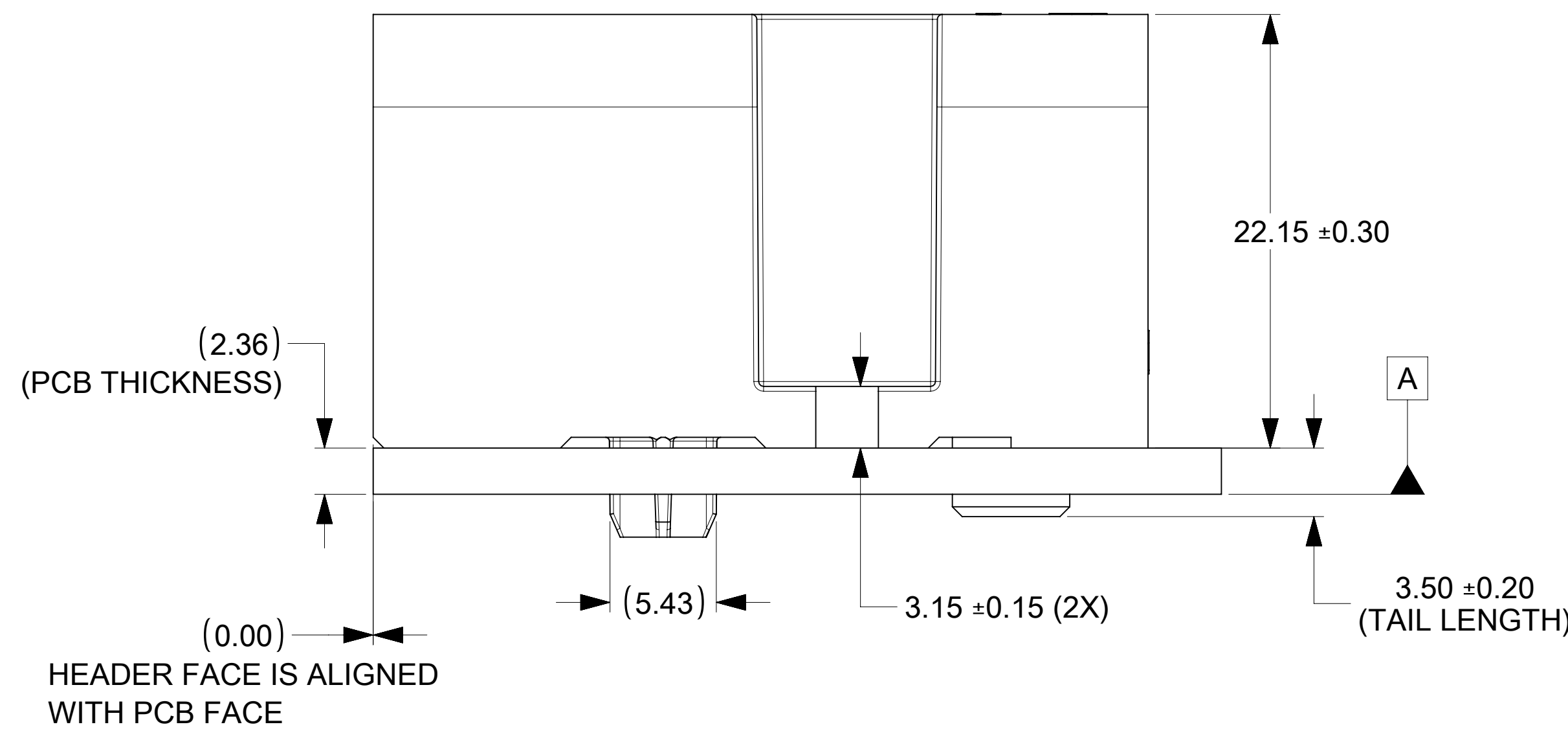
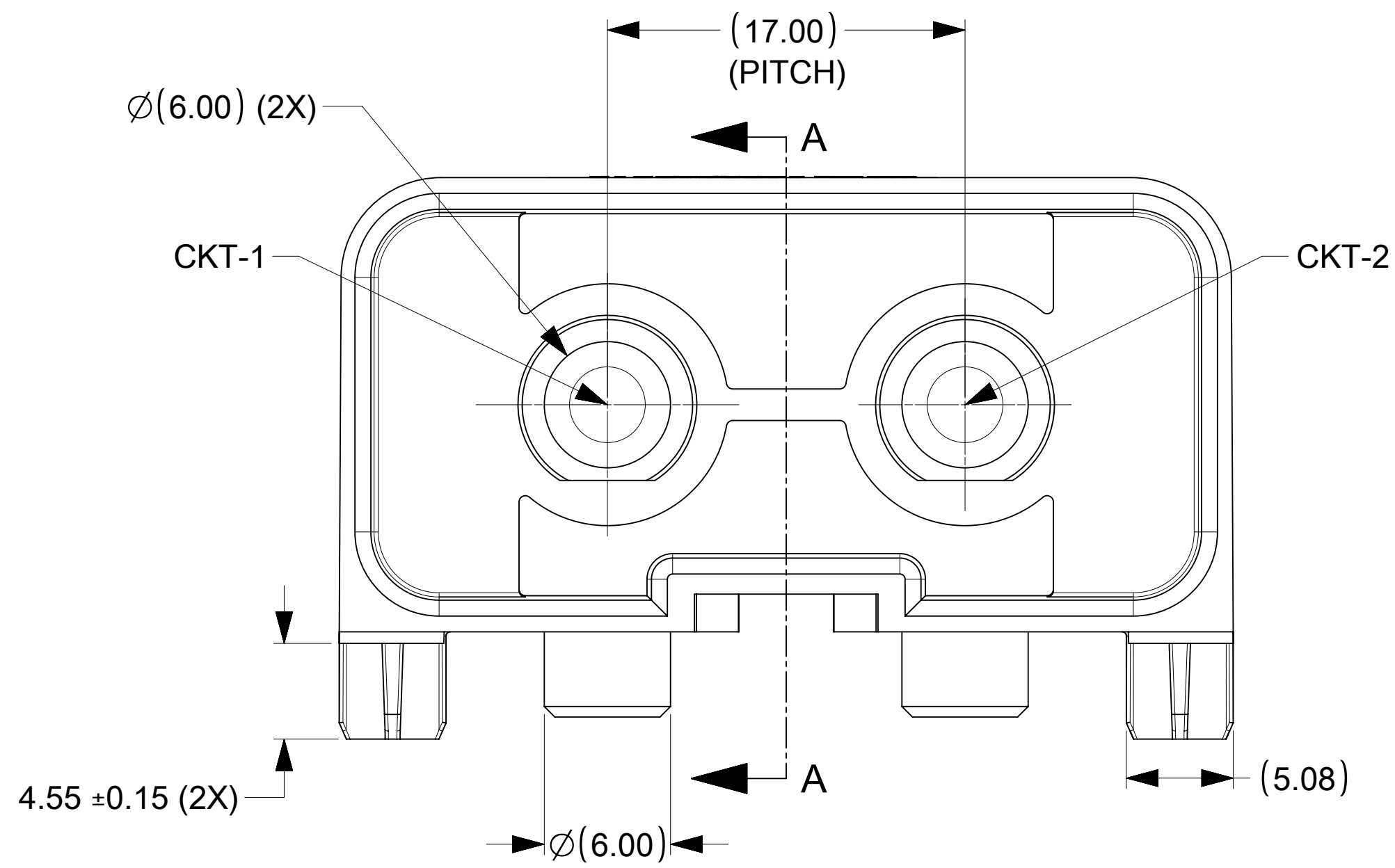


CAVITIES FOR SCREW MOUNT
(IT PROVIDES HIGHER RETENTION
BETWEEN HEADER AND PCB)



- NOTES:
- MATERIAL:
-HOUSINGS: LCP UL94 V-0, COLOR: BLACK
-TERMINALS: COPPER ALLOY
 - PLATING: 3.18 MICRON MIN SILVER OVER 1.27 MICRON MIN NICKEL.
 - HEADER TERMINALS ARE FINISHED WITH ANTI-TARNISH TREATMENT BUT MAY TARNISH OVER TIME.
 - ASSEMBLY MEETS ROHS REQUIREMENT.
 - PRODUCT SPECIFICATION: 2155100006-PS
 - TEST SUMMARY: 2155106000-TS
 - APPLICATION SPECIFICATION: 2155101000-AS
 - PACKAGING SPECIFICATION: 2155106121-PK
 - MATES WITH HARNESS ASSEMBLY 215511-6121.
 - HEADER IS MOUNTED TO PCB WITH FASTENERS (M3 SCREW AND NUT) FOR HIGHER RETENTION FORCE.
 - SCREW LENGTH TO BE DECIDED BY THE CUSTOMER BASED ON THE PCB THICKNESS AND THE SPACE AVAILABLE BELOW PCB (REFER 2155101000-AS FOR SCREW RECOMMENDATIONS)
 - SCREWS AND WASHERS ARE NOT SUPPLIED BY MOLEX.

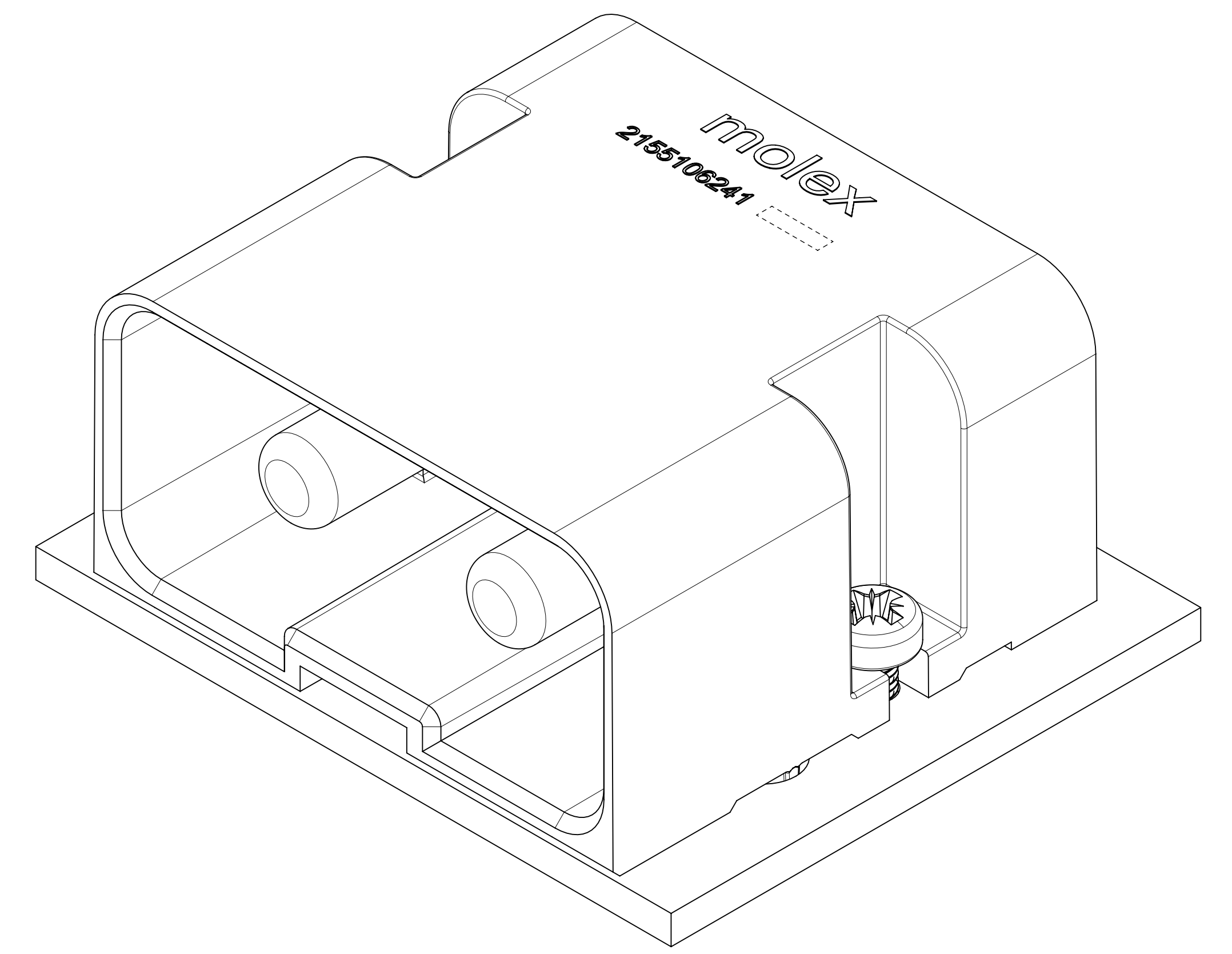
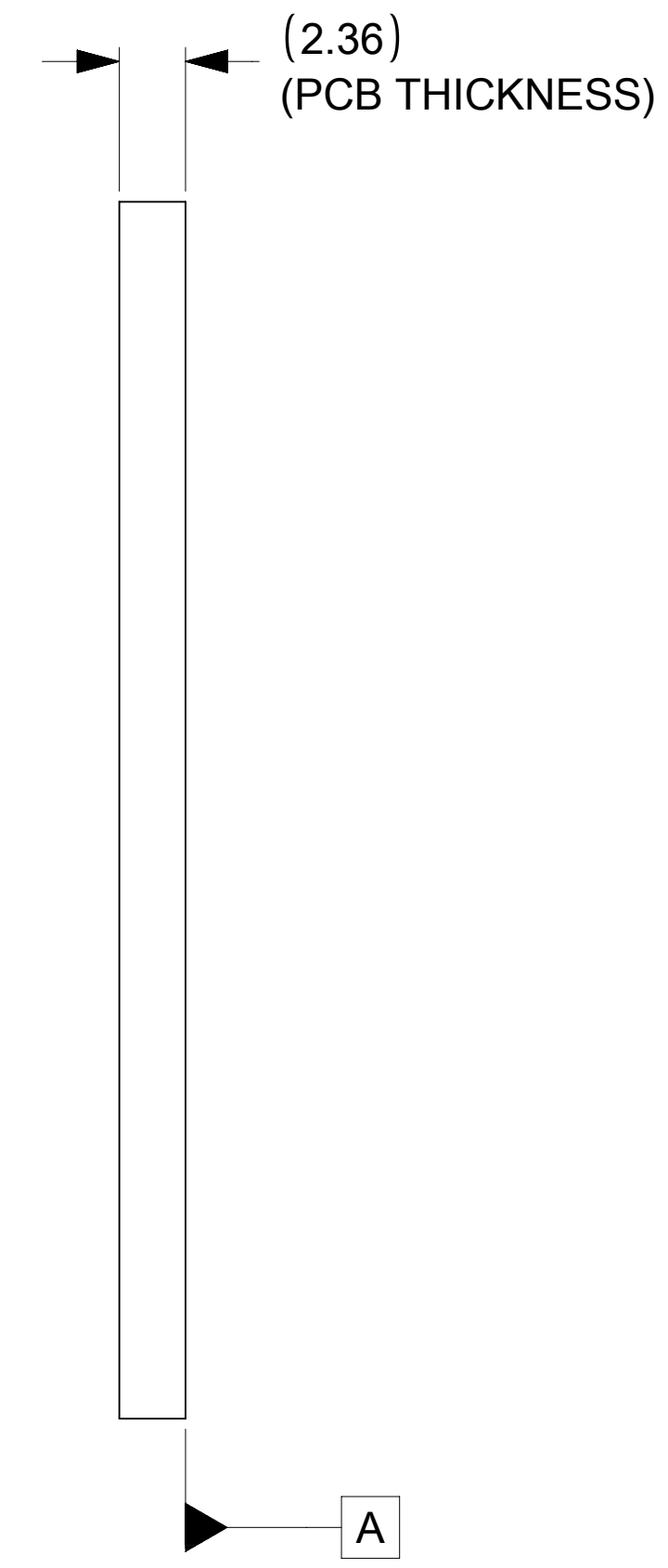
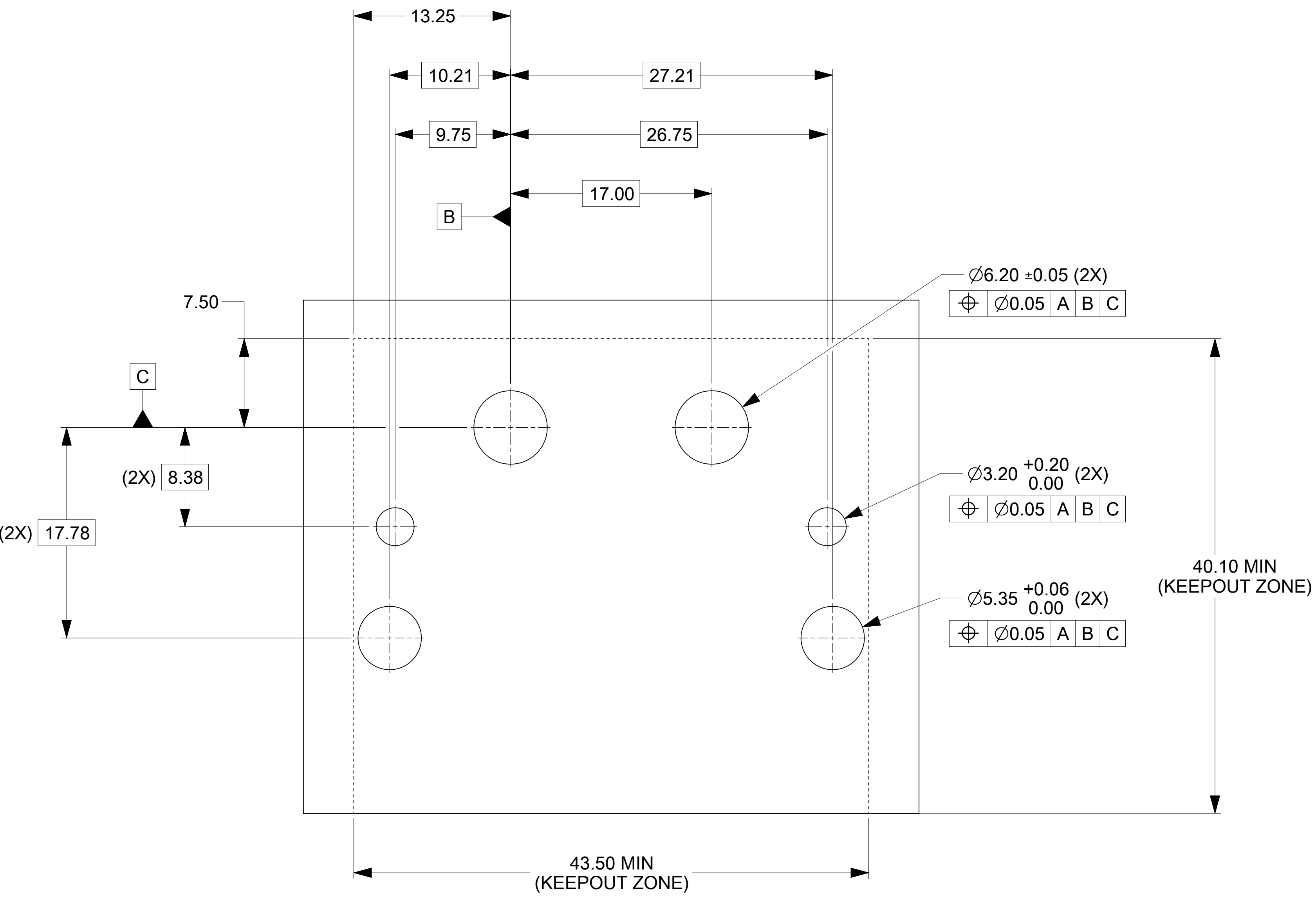
THIS DRAWING CONTAINS INFORMATION THAT IS PROPRIETARY TO MOLEX ELECTRONIC TECHNOLOGIES, LLC AND SHOULD NOT BE USED WITHOUT WRITTEN PERMISSION									
DIMENSION UNITS		SCALE		CURRENT REV DESC: INITIAL RELEASE					
mm		4:1							
GENERAL TOLERANCES (UNLESS SPECIFIED)				EC NO: 680381					
ANGULAR TOL ± 0.5°				DRWN: CHETAB 2021/04/16					
4 PLACES ±				CHK'D: MBELLE 2021/10/08					
3 PLACES ±				APPR: HTHYAGARAJ 2021/10/19					
2 PLACES ± 0.15				INITIAL REVISION:					
1 PLACE ± 0.25				DRWN: CHETAB 2021/04/16					
0 PLACES ±				APPR: HTHYAGARAJ 2021/10/19					
DRAFT WHERE APPLICABLE MUST REMAIN WITHIN DIMENSIONS		THIRD ANGLE PROJECTION		DRAWING		SERIES		MATERIAL NUMBER	
		D-SIZE		215510		2155106241		CUSTOMER	
						GENERAL MARKET		SHEET NUMBER	
								1 OF 2	

molex

2-CKT 6MM RA HEADER, SOLDER TAIL VERSION
POWERWIZE PRODUCT FAMILY

PRODUCT CUSTOMER DRAWING

DOCUMENT NUMBER	DOC TYPE	DOC PART	REVISION
2155106241	PSD	000	A



RECOMMENDED PCB LAYOUT AND KEEP-OUT ZONES

THIS DRAWING CONTAINS INFORMATION THAT IS PROPRIETARY TO MOLEX ELECTRONIC TECHNOLOGIES, LLC AND SHOULD NOT BE USED WITHOUT WRITTEN PERMISSION									
DIMENSION UNITS		SCALE		CURRENT REV DESC: INITIAL RELEASE				molex	
mm		4:1							
GENERAL TOLERANCES (UNLESS SPECIFIED)									
ANGULAR TOL		± 0.5°		EC NO: 680381				2-CKT 6MM RA HEADER, SOLDER TAIL VERSION	
4 PLACES		±		DRWN: CHETAB		2021/04/16		POWERWIZE PRODUCT FAMILY	
3 PLACES		±		CHK'D: MBELLE		2021/10/08		PRODUCT CUSTOMER DRAWING	
2 PLACES		± 0.15		APPR: HTHYAGARAJ		2021/10/19		DOCUMENT NUMBER	
1 PLACE		± 0.25		INITIAL REVISION:		DRWN: CHETAB		2021/10/19	
0 PLACES		±		APPR: HTHYAGARAJ		2021/10/19		2155106241	
DRAFT WHERE APPLICABLE		THIRD ANGLE PROJECTION		DRAWING		SERIES		MATERIAL NUMBER	
MUST REMAIN WITHIN DIMENSIONS		DRAFT		D-SIZE		215510		2155106241	
								CUSTOMER	
								GENERAL MARKET	
								SHEET NUMBER	
								2 OF 2	