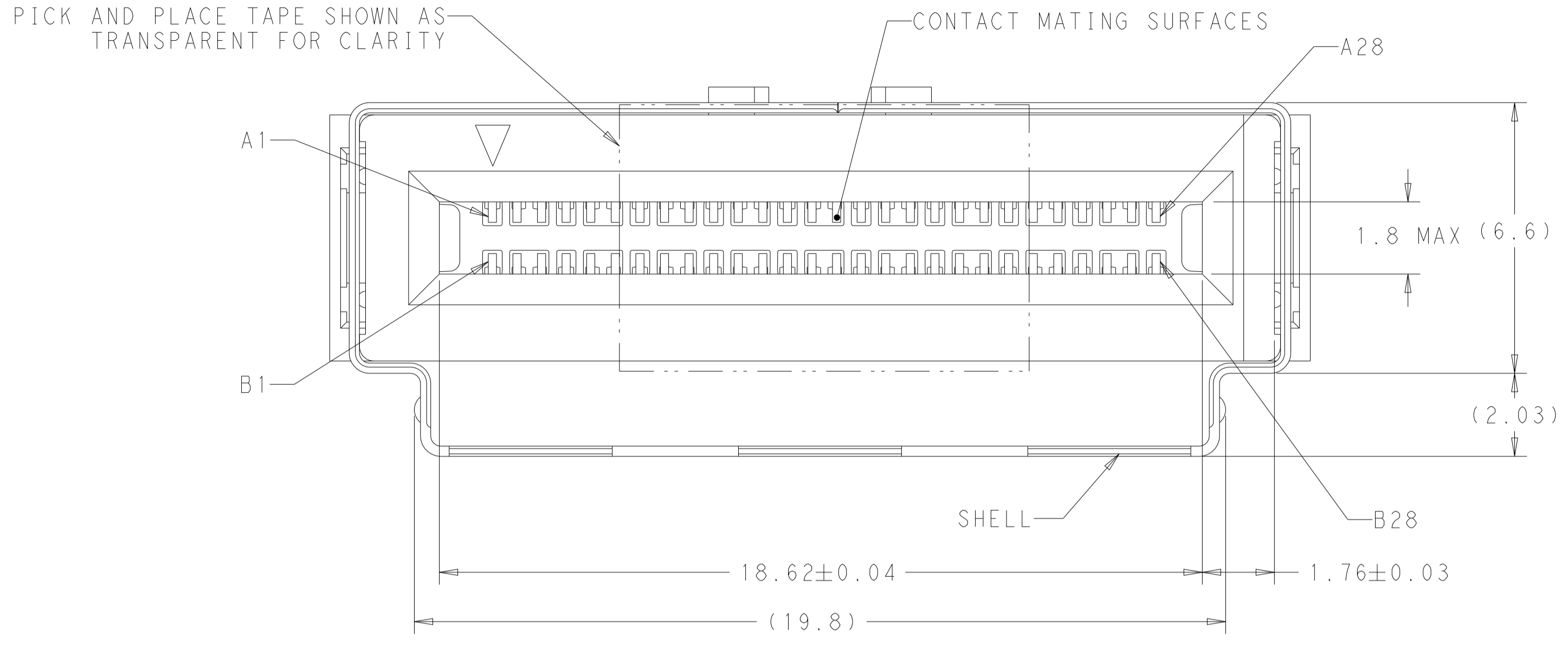
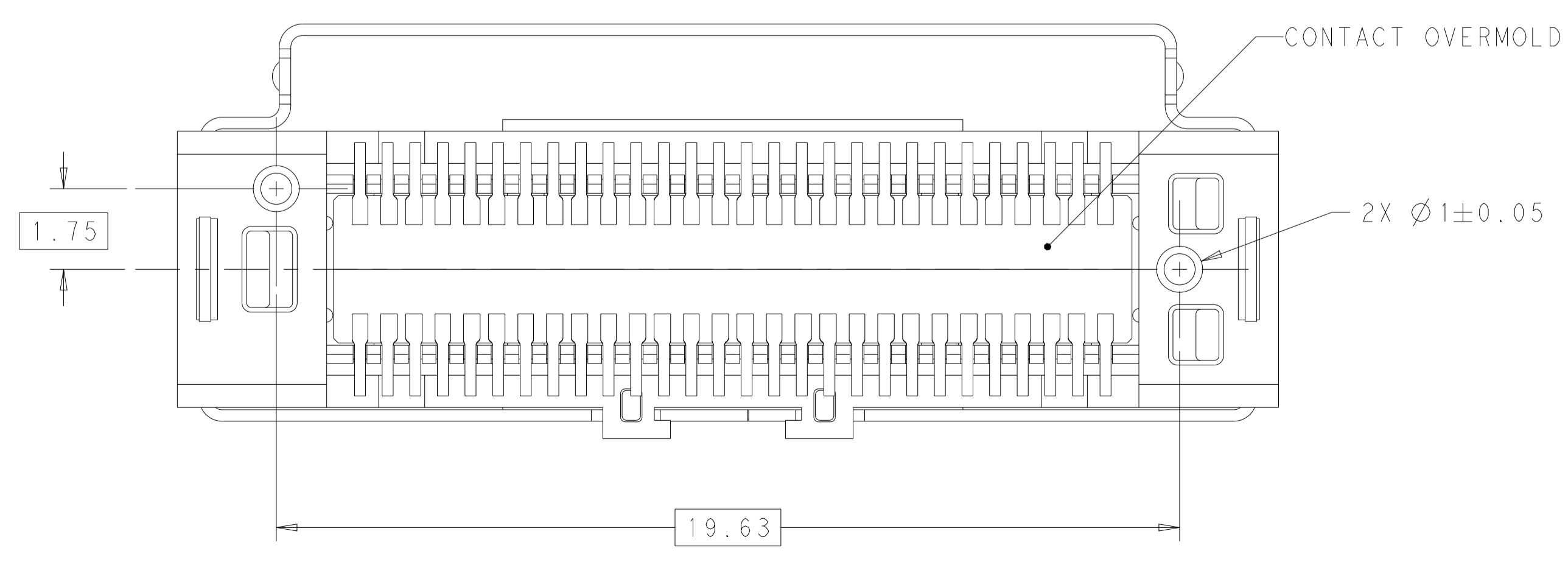
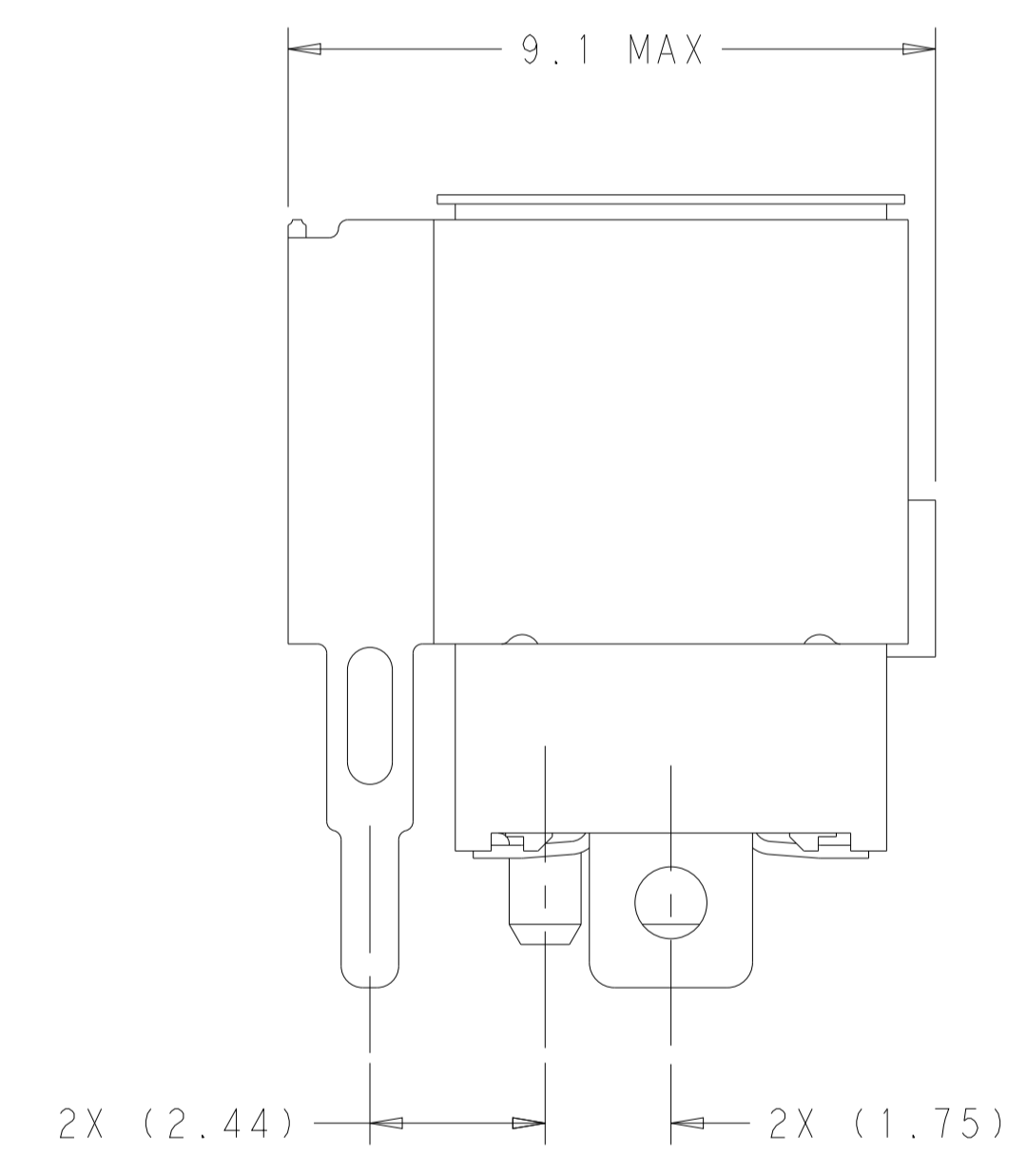
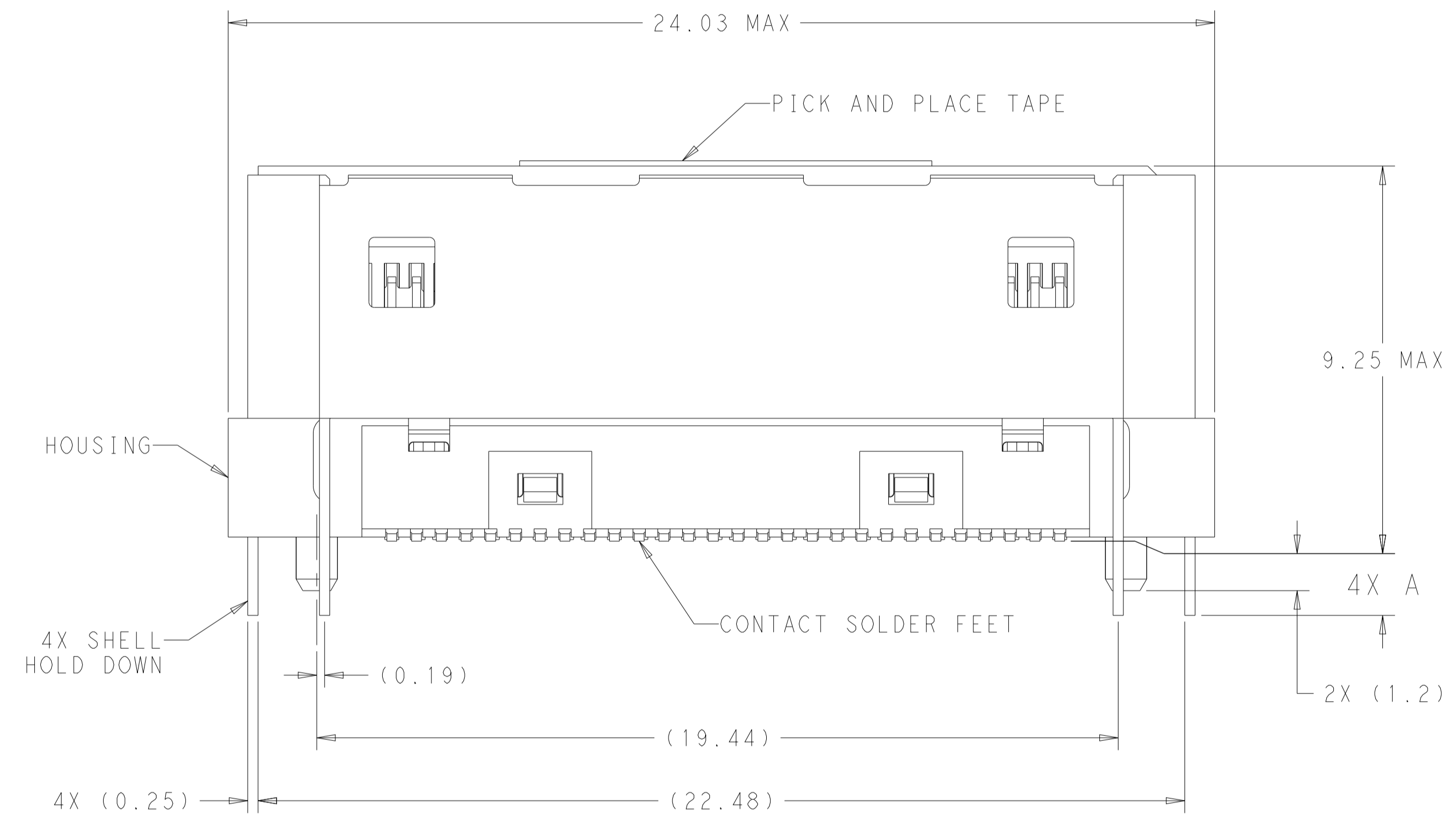


REVISIONS					
P	LTN	DESCRIPTION	DATE	OWN	APVD
A		RELEASED PER ECO-19-013357	29AUG2019	CJV	JW
B		REVISED PER ECO-19-014774	26SEP2019	CJV	JW
C		REVISED PER ECN-21-118918	25OCT2021	TM	DZ



- 1 HOUSING - LCP, UL94V-0, BLACK. CONTACT OVERMOLDS - LCP, UL94V-0, BLACK. SHELL, CONTACTS, HOLD DOWNS - COPPER ALLOY. PICK AND PLACE TAPE - POLYIMIDE FILM.
- 2 CONTACTS - GOLD PLATE ON MATING SURFACES, TIN PLATE ON SOLDER FEET. HOLD DOWNS - TIN PLATE. SHELL - NICKEL PLATE, TIN PLATE ON HOLD DOWNS.
- 3 DATUMS AND BASIC DIMENSIONS ESTABLISHED BY CUSTOMER.
- 4. MINIMUM HOST PCB THICKNESS: 1.5.
- 5 SEE MSA SPECIFICATION FOR ADDITIONAL PADDLE CARD LAYOUTS COMPATIBLE WITH THIS RECEPTACLE AND FOR OPTIONAL SPLIT CONTACT PAD LAYOUTS FOR THE PADDLE CARD. SPECIFICATION PINOUT MAY ALSO DESIGNATE PAD SEQUENCE DIFFERENT FROM ILLUSTRATION.

- 6 POSITIONS DESIGNATED AS "SIGNAL" ARE REQUIRED LOCATIONS FOR HIGH SPEED DIFFERENTIAL PAIR SIGNALING. THESE LOCATIONS MAY ALSO BE USED FOR SUPPORTING SIDEBAND SIGNALS OR OTHER UTILITY PURPOSES. POSITIONS DESIGNATED AS "GROUND" ARE REQUIRED WHEN SUPPORTING HIGH SPEED DIFFERENTIAL SIGNALS. THESE LOCATIONS MAY ALSO BE USED FOR SIDEBAND SIGNALS OR OTHER UTILITY PURPOSES.
- 7 RECOMMENDED COMPONENT AND TRACE KEEP OUT AREA. EACH EDGE 0.15 MIN FROM EDGE OF HOLE.
- 8 TAPE AND REEL PACKAGED FOR PICK AND PLACE SMT PROCESSING, SEE FIGURE 1. POCKET TAPE: WIDTH = 44.



3.1±0.2	0.76µm Au	20	250	YES	200	2-2332141-0
1.2±0.2	0.76µm Au	24	250	NO	200	1-2332141-6
	0.38µm Au				100	1-2332141-5
1.8 +0.2/-0.1	FLASH Au/PdNi	24	250	NO	50	1-2332141-4
	0.76µm Au				200	1-2332141-3
	0.38µm Au				100	1-2332141-2
1.2±0.2	FLASH Au/PdNi	20	300	YES	50	1-2332141-1
	0.76µm Au				200	2332141-6
	0.38µm Au				100	2332141-5
1.8 +0.2/-0.1	FLASH Au/PdNi	20	300	YES	200	2332141-4
	0.76µm Au				100	2332141-3
	0.38µm Au				50	2332141-2
A	PLATING	POCKET TAPE PITCH	REEL QUANTITY	PICK AND PLACE TAPE	MATING CYCLES	PART NUMBER

THIS DRAWING IS A CONTROLLED DOCUMENT.

OWN: B. MATTHEWS 27MAR2018
 CHK: D. HARMON 27MAR2018
 APVD: D. HARMON 27MAR2018

DIMENSIONS: mm

TOLERANCES UNLESS OTHERWISE SPECIFIED:

0 PLC	±
1 PLC	±
2 PLC	±
3 PLC	±
4 PLC	±
ANGLES	±
FINISH	±

MATERIAL:

NAME: RECEPTACLE ASSEMBLY, VERTICAL, 56 POSITION, SLIVER 2.0

PRODUCT SPEC: 108-130021

APPLICATION SPEC: 114-130015

SIZE: A1

CAGE CODE: 00779

DRAWING NO: C=2332141

RESTRICTED TO: -

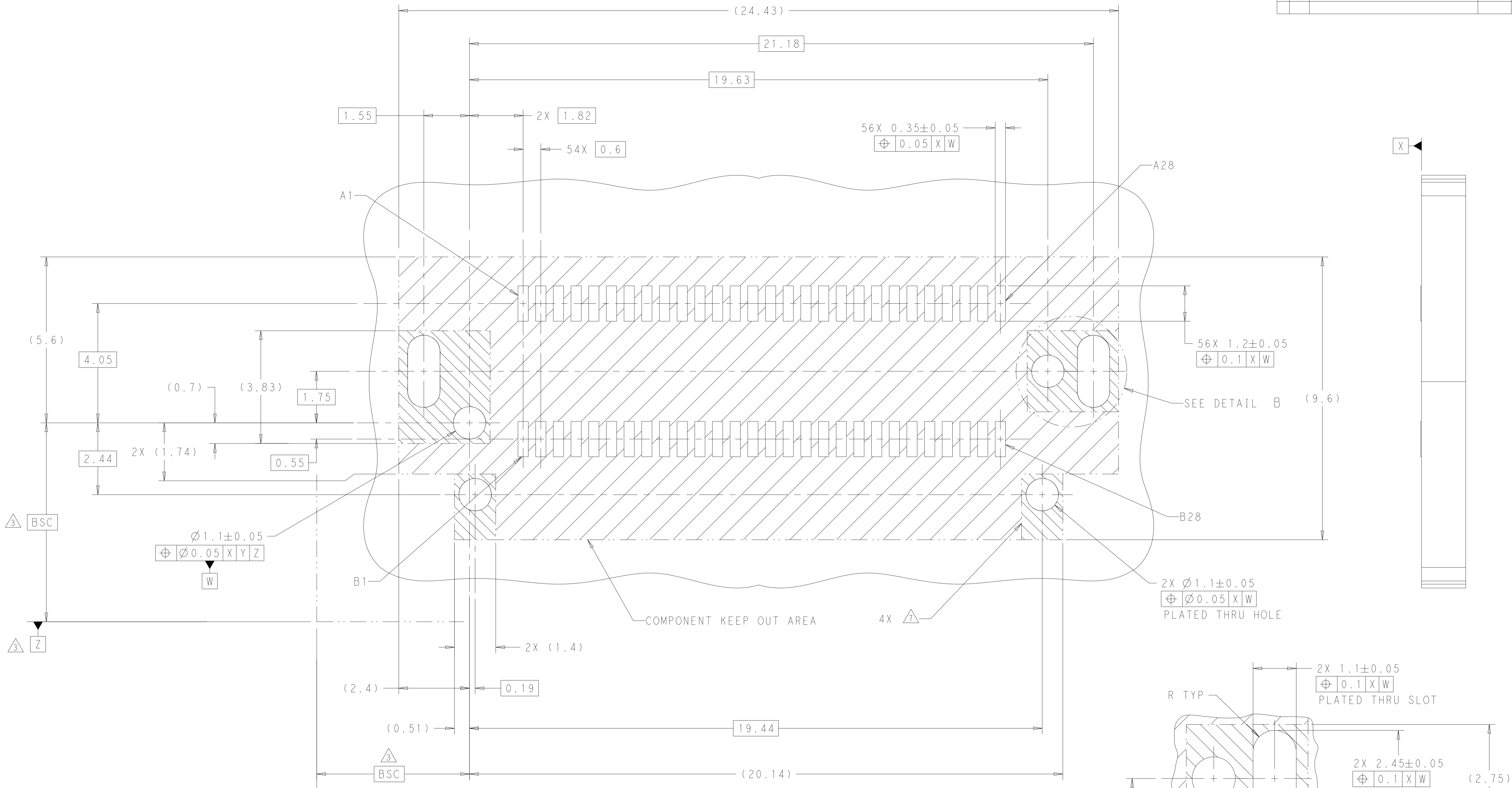
CUSTOMER DRAWING

SCALE: 10:1

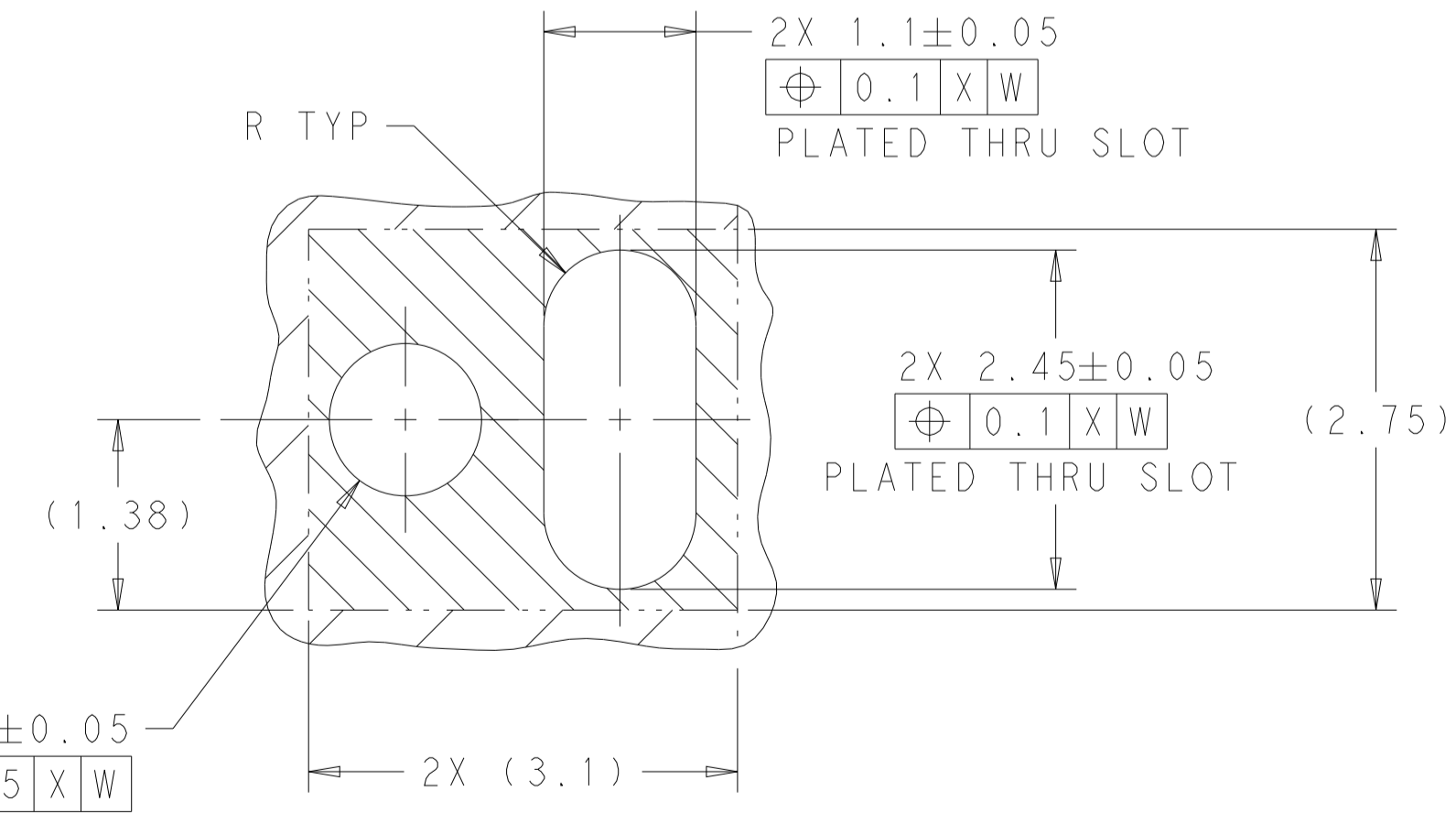
SHEET: 1 OF 4

REV: C

REVISIONS				
P	LTN	DESCRIPTION	DATE	APVD
-	-	SEE SHEET 1	-	-



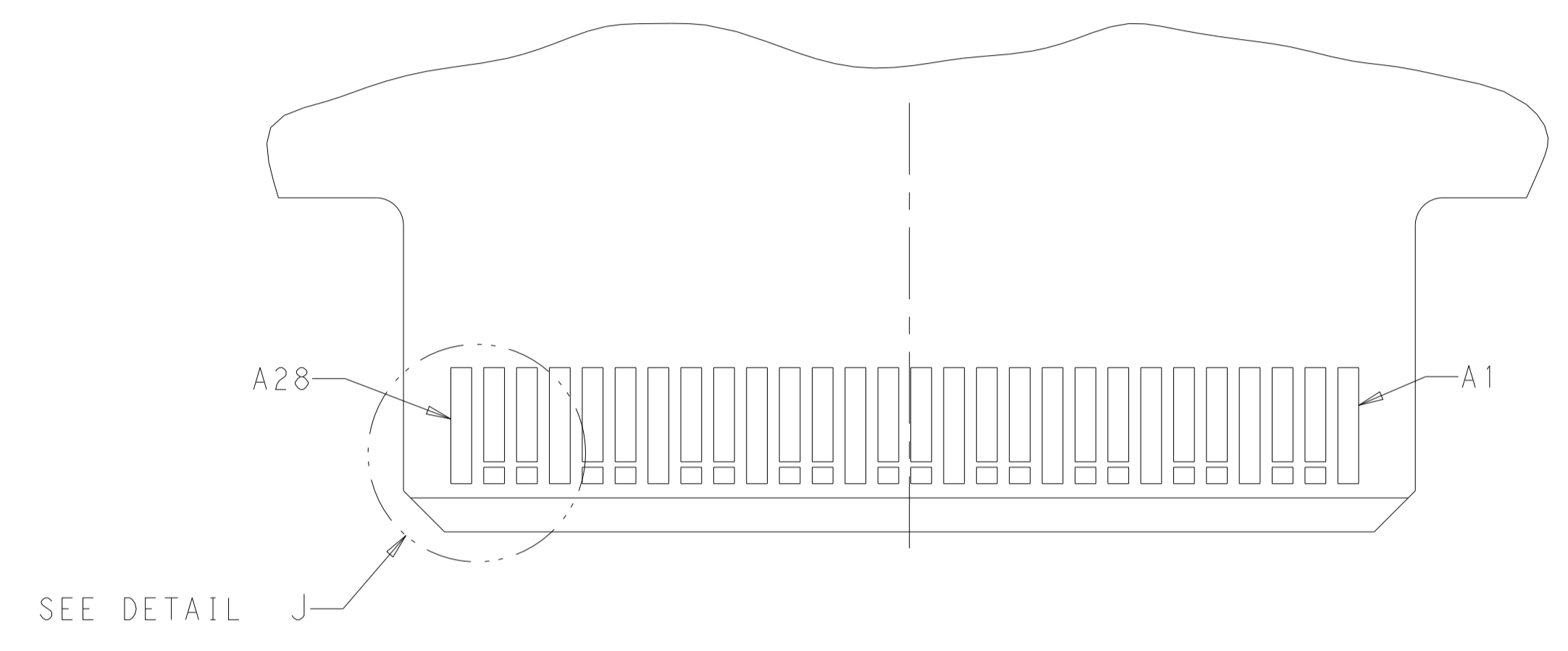
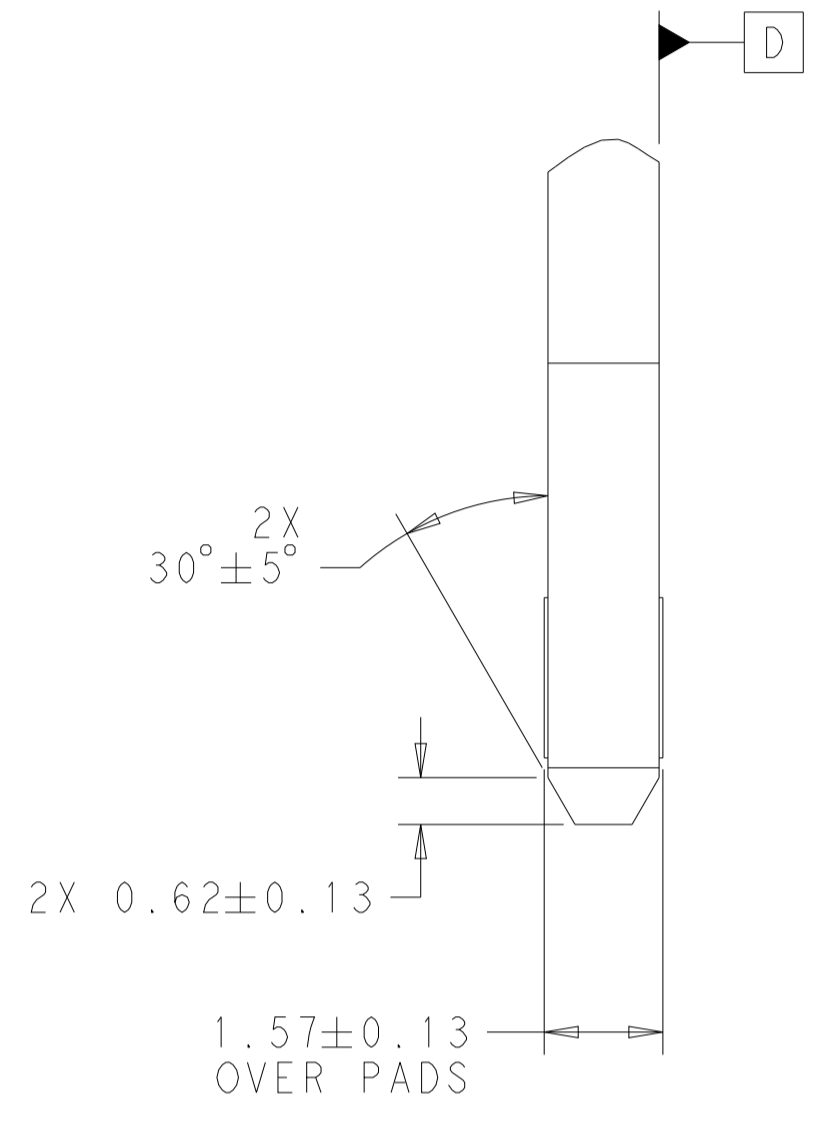
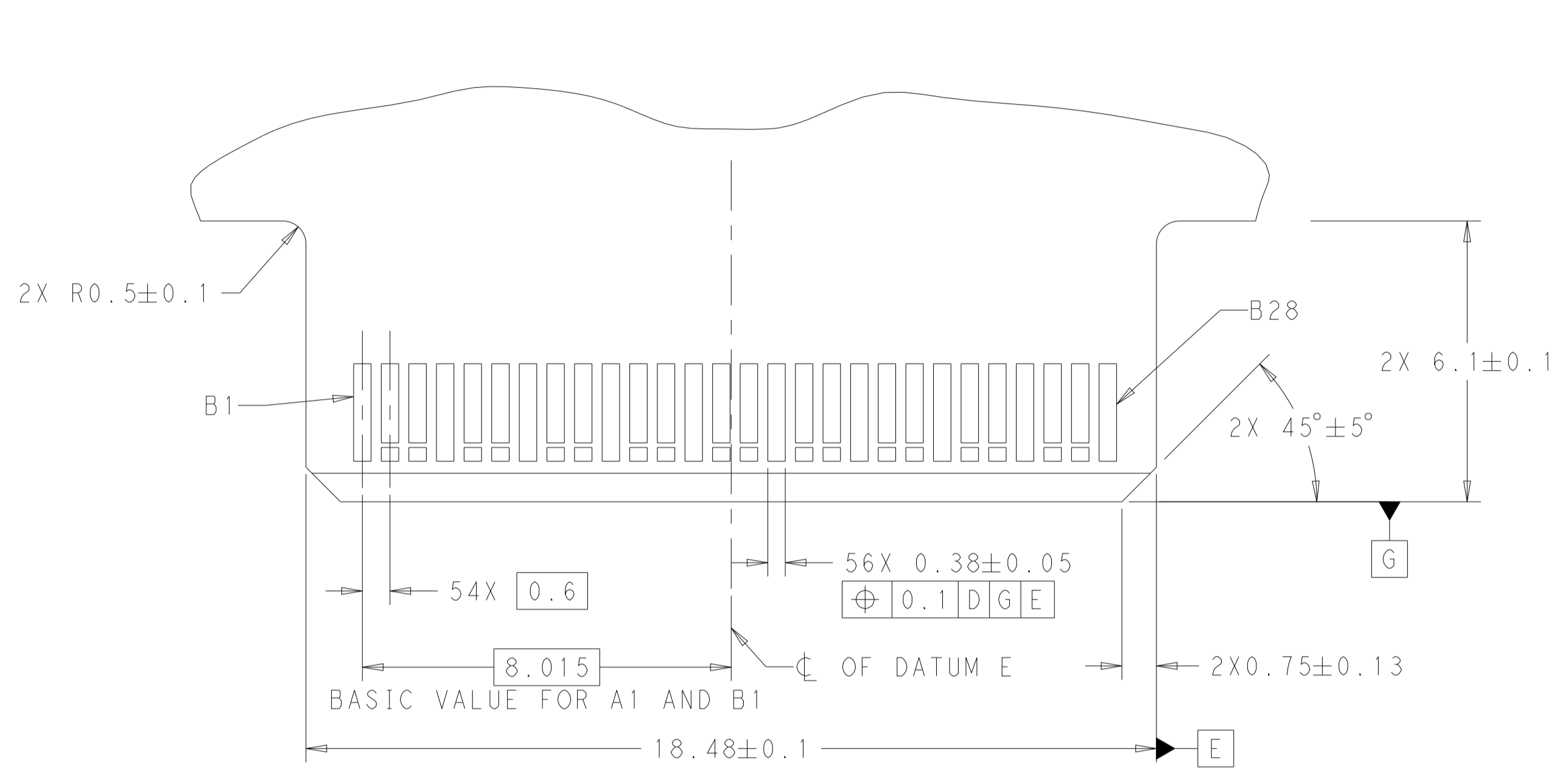
RECOMMENDED PCB LAYOUT
 AND KEEP OUT AREA
 SCALE 15:1



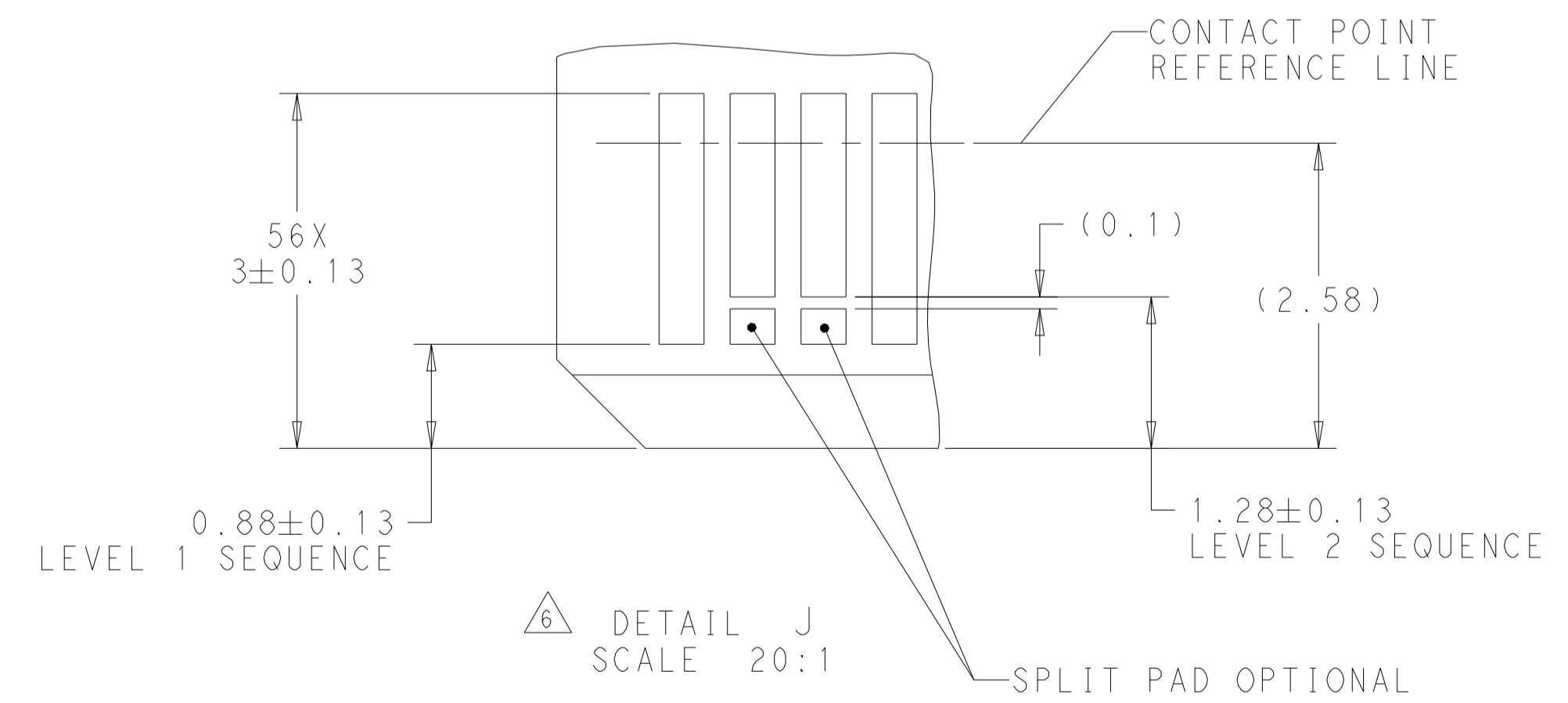
DETAIL B
 SCALE 20:1

THIS DRAWING IS A CONTROLLED DOCUMENT.		OWN B. MATTHEWS 27MAR2018	TE Connectivity
DIMENSIONS:		CHK D. HARMON 27MAR2018	
mm	TOLERANCES UNLESS OTHERWISE SPECIFIED:	APVD D. HARMON 27MAR2018	NAME RECEPTACLE ASSEMBLY, VERTICAL, 56 POSITION, SLIVER 2.0
	0 PLC ± 1 PLC ± 2 PLC ± 3 PLC ± 4 PLC ± ANGLES ± MATERIAL FINISH ±	PRODUCT SPEC 108-130021	SIZE A1
		APPLICATION SPEC 114-130015	CAGE CODE C=2332141
		WEIGHT	RESTRICTED TO
		CUSTOMER DRAWING	SCALE 10:1 SHEET 2 OF 4 REV C

REVISIONS				
P	LTN	DESCRIPTION	DATE	APVD
-	-	SEE SHEET 1	-	-



RECOMMENDED PCB OUTLINE DIMENSIONS.
 TOLERANCE VALUES ARE CRITICAL. PLEASE BE SURE TO DESIGNATE
 TOLERANCES TO PCB SUPPLIER TO ENSURE OPTIMIZED FUNCTIONALITY.



DETAIL J
 SCALE 20:1

THIS DRAWING IS A CONTROLLED DOCUMENT.		OWN B. MATTHEWS 27MAR2018	TE Connectivity
DIMENSIONS: mm		CHK D. HARMON 27MAR2018	
TOLERANCES UNLESS OTHERWISE SPECIFIED:		APVD D. HARMON 27MAR2018	NAME RECEPTACLE ASSEMBLY, VERTICAL, 56 POSITION, SLIVER 2.0
0 PLC ±	1 PLC ±	PRODUCT SPEC	SIZE
2 PLC ±	3 PLC ±	108-130021	CAGE CODE
4 PLC ±	ANGLES ±	APPLICATION SPEC	DRAWING NO
MATERIAL	FINISH	114-130015	RESTRICTED TO
CUSTOMER DRAWING		WEIGHT	A100779C=2332141
SCALE 10:1		SHEET 3 OF 4	REV C

REVISIONS				
P	LTN	DESCRIPTION	DATE	APVD
-		SEE SHEET 1	-	-

TABLE 1: CONNECTOR CONTACT IDENTIFICATION 

CONTACT NUMBER	SIDE A	SIDE B
1	GROUND	GROUND
2	SIGNAL	SIGNAL
3	SIGNAL	SIGNAL
4	GROUND	GROUND
5	SIGNAL	SIGNAL
6	SIGNAL	SIGNAL
7	GROUND	GROUND
8	SIGNAL	SIGNAL
9	SIGNAL	SIGNAL
10	GROUND	GROUND
11	SIGNAL	SIGNAL
12	SIGNAL	SIGNAL
13	GROUND	GROUND
14	SIGNAL	SIGNAL
15	SIGNAL	SIGNAL
16	GROUND	GROUND
17	SIGNAL	SIGNAL
18	SIGNAL	SIGNAL
19	GROUND	GROUND
20	SIGNAL	SIGNAL
21	SIGNAL	SIGNAL
22	GROUND	GROUND
23	SIGNAL	SIGNAL
24	SIGNAL	SIGNAL
25	GROUND	GROUND
26	SIGNAL	SIGNAL
27	SIGNAL	SIGNAL
28	GROUND	GROUND

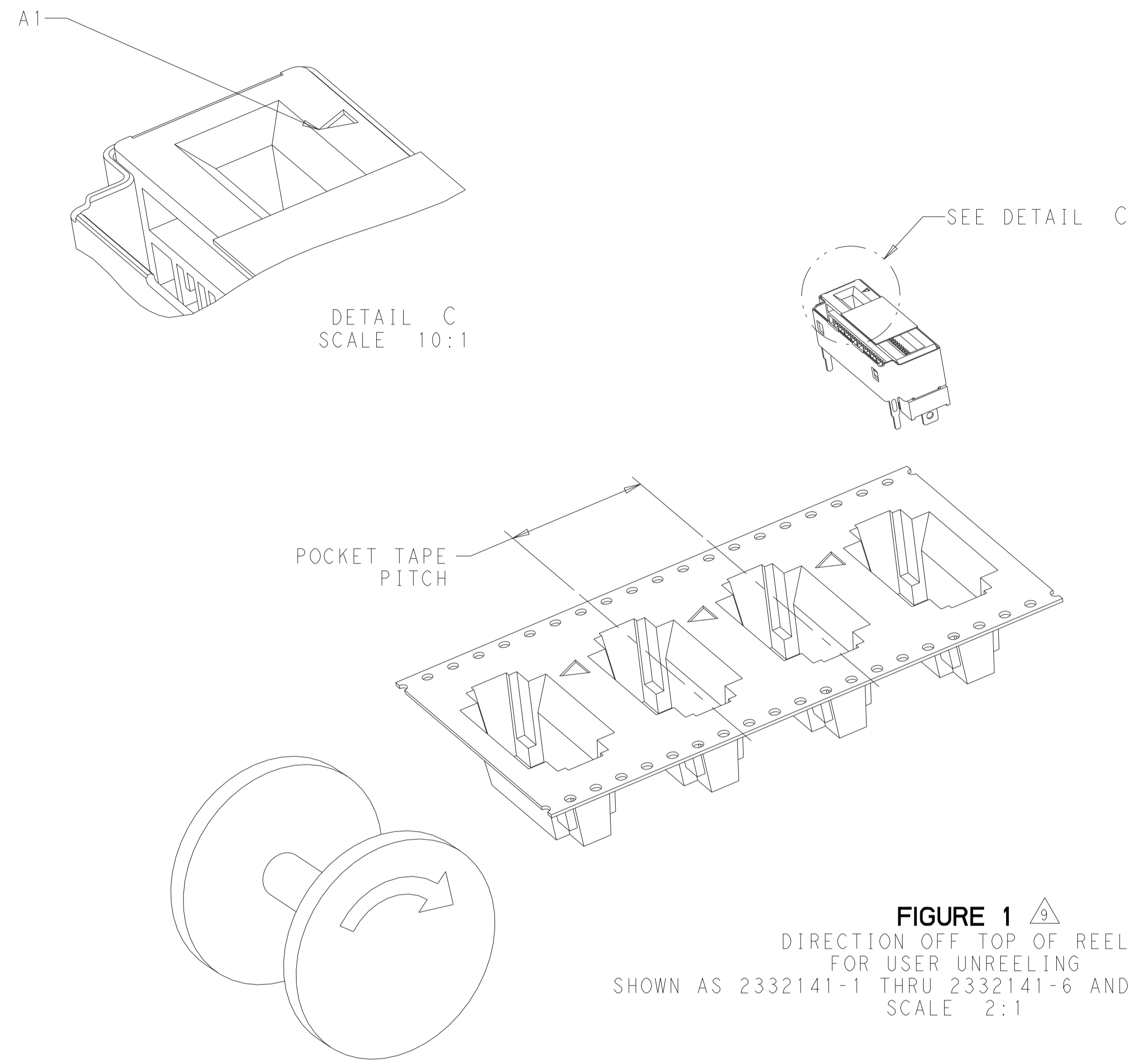


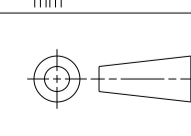


FIGURE 1 
 DIRECTION OFF TOP OF REEL
 FOR USER UNREELING
 SHOWN AS 2332141-1 THRU 2332141-6 AND 2-2332141-0
 SCALE 2:1

THIS DRAWING IS A CONTROLLED DOCUMENT.		DWN B. MATTHEWS 27MAR2018 CHK D. HARMON 27MAR2018 APVD D. HARMON 27MAR2018	 TE Connectivity
DIMENSIONS: mm 	TOLERANCES UNLESS OTHERWISE SPECIFIED: 0 PLC ± 1 PLC ± 2 PLC ± 3 PLC ± 4 PLC ± ANGLES ± FINISH	NAME RECEPTACLE ASSEMBLY, VERTICAL, 56 POSITION, SLIVER 2.0 PRODUCT SPEC 108-130021 APPLICATION SPEC 114-130015 WEIGHT - CUSTOMER DRAWING	SIZE A1 CAGE CODE 00779 DRAWING NO. C=2332141 RESTRICTED TO - SCALE 10:1 SHEET 4 OF 4 REV C