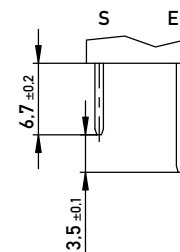
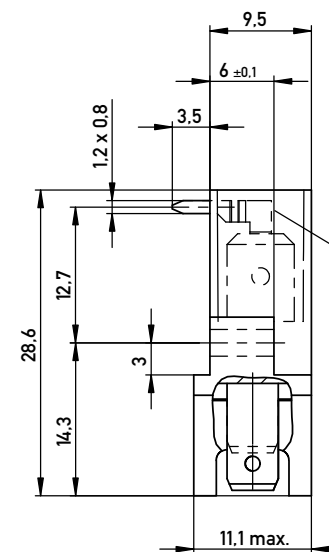
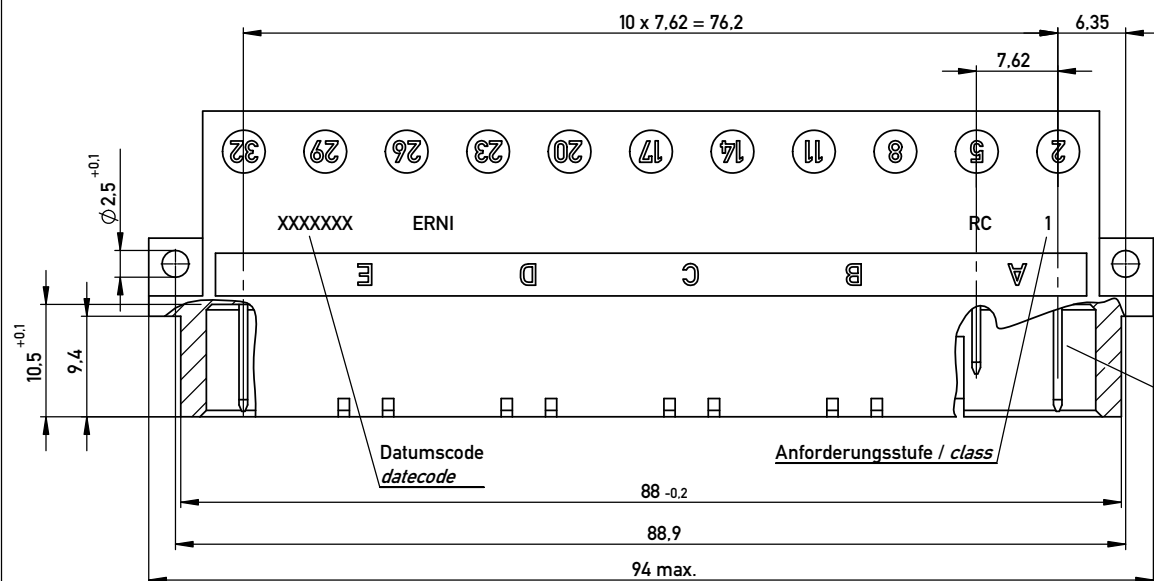


Stecklänge / mating length

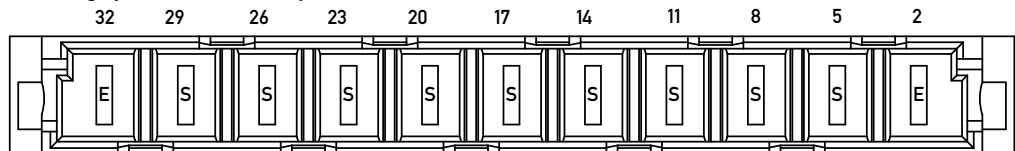


E = early mate, late break / voreilend

S = standard



Bestückungsplan / contact layout



Lötanschluss 0.8 x 1.2 mm / solder terminal 0.8 x 1.2 mm

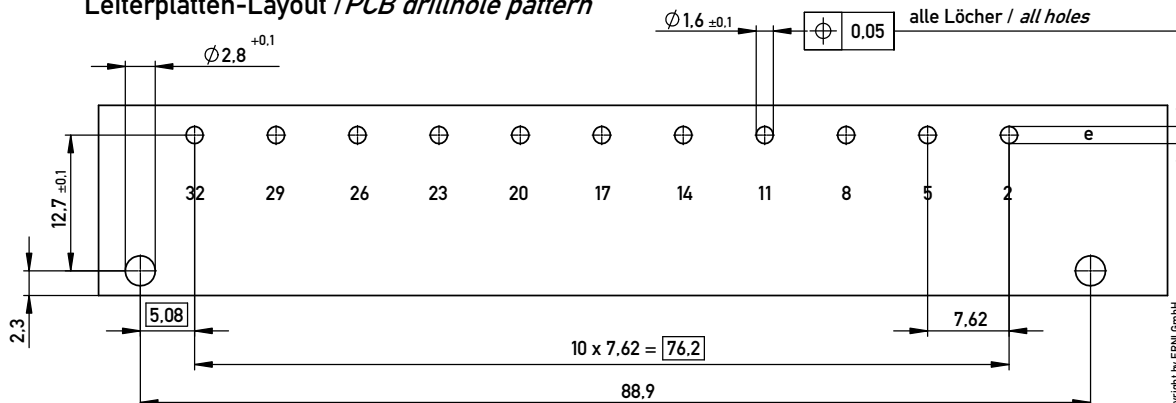
Anforderungsstufe 1 = 500 Steckzyklen / performance class 1 = 500 mating cycles

Bauart 3 / type 3

Fehlende Masse und Angaben nach DIN EN 60603-2 /

Missing information and dimensions according to DIN EN 60603-2

Leiterplatten-Layout / PCB drillhole pattern



Copyright by ERNI GmbH. Proprietary notice pursuant to ISO 9006 to be observed.

Information:		Tolerances	All Dimensions in mm	Scale	2:1
All rights reserved. Only for Information. To ensure that this is the latest version of this drawing, please contact one of the ERNI companies before using.		Subject to modification without prior notice. Drawing will not be updated.		Designation	
		www.ERNI.com		Messerleiste H11 Löt Male Connector H11 Solder	
b		31.07.2015		233235	
Index		Date		I A3	
				Class	
				STVH1	