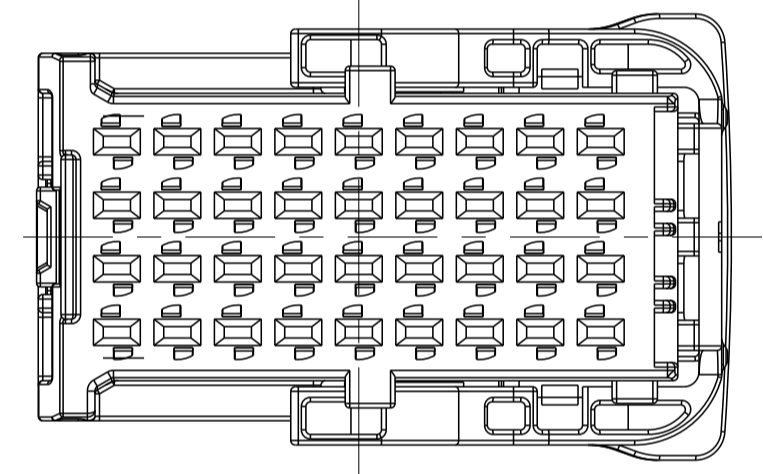
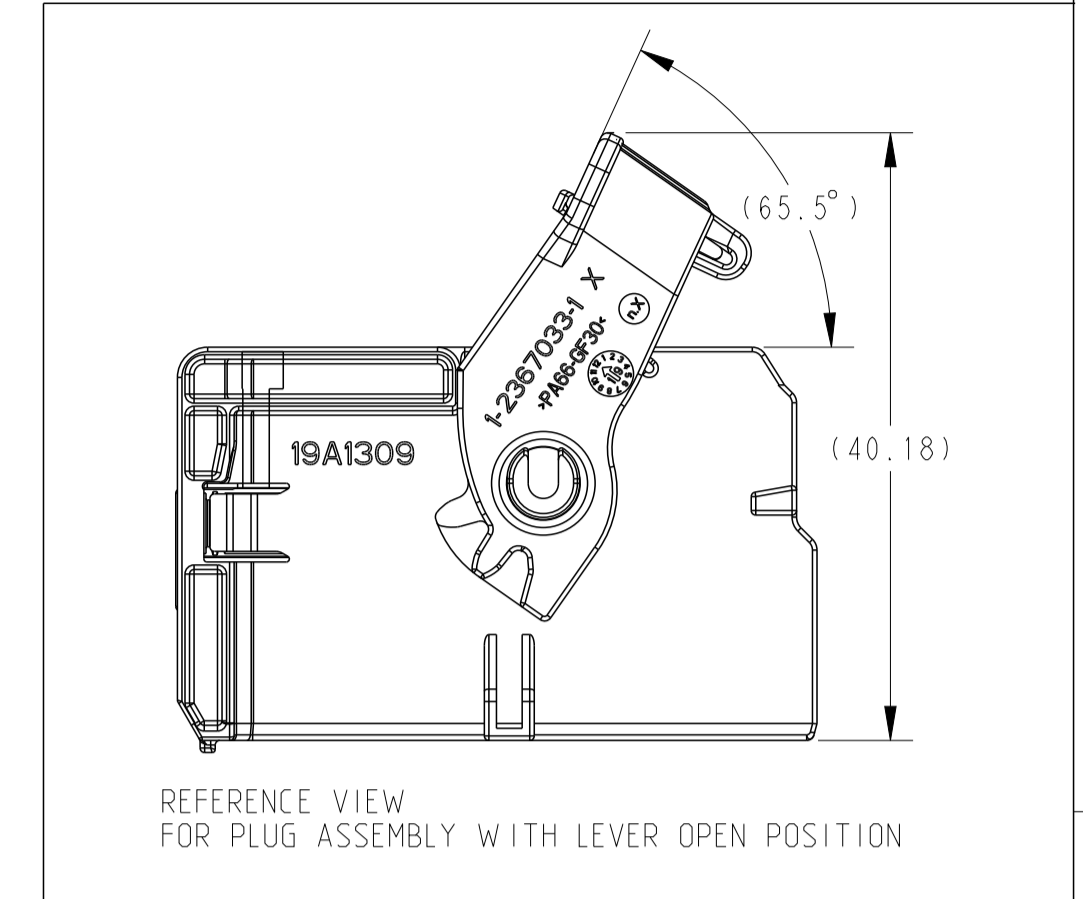
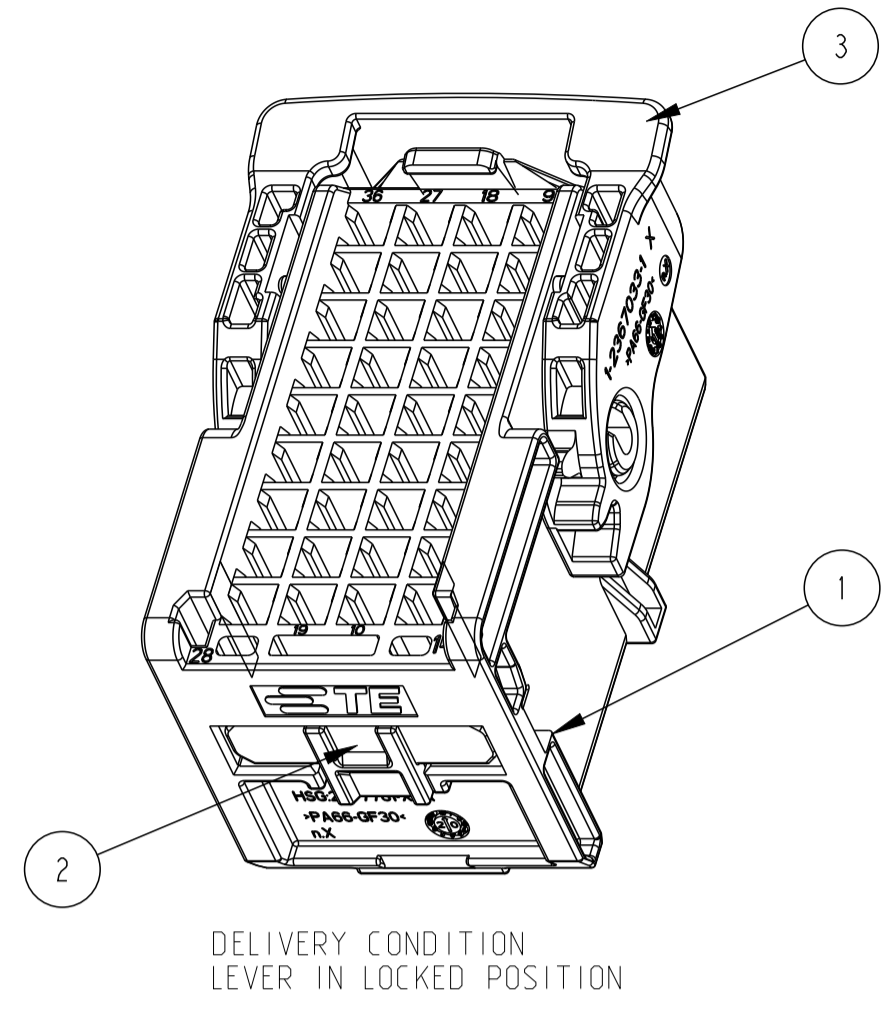
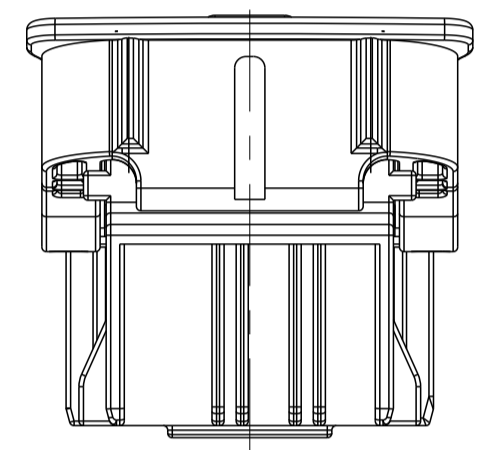
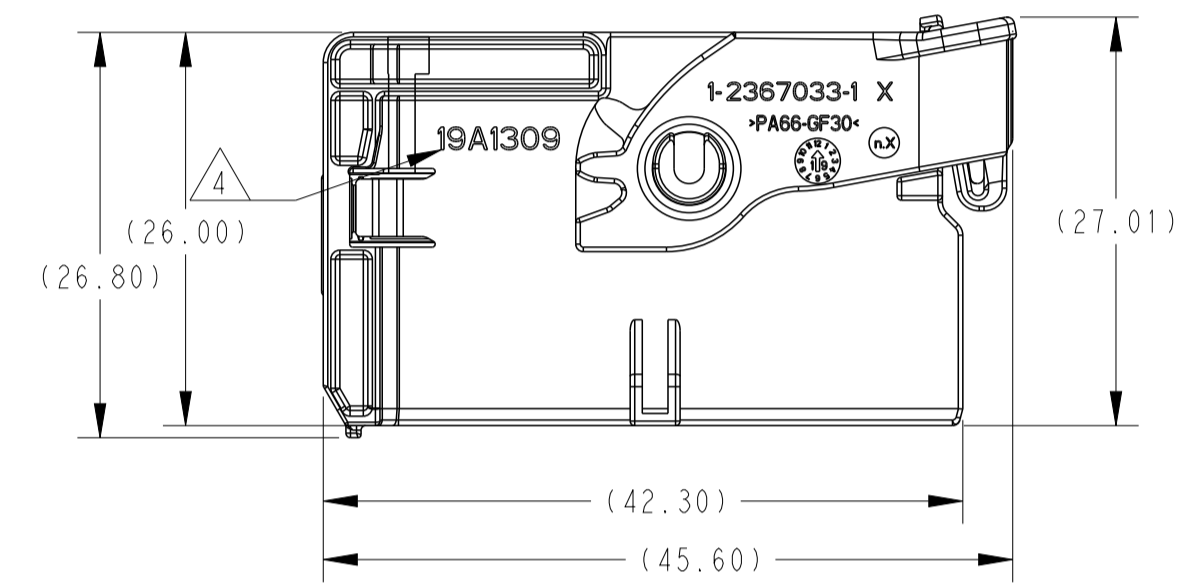
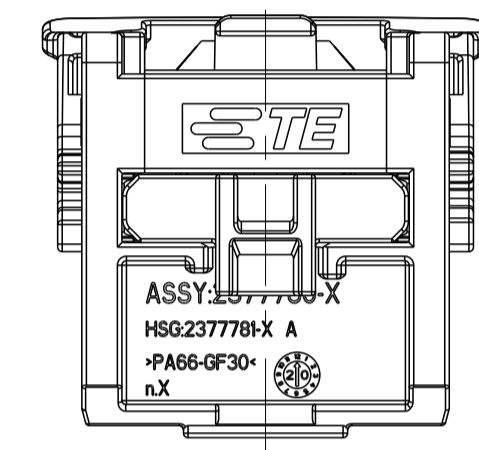
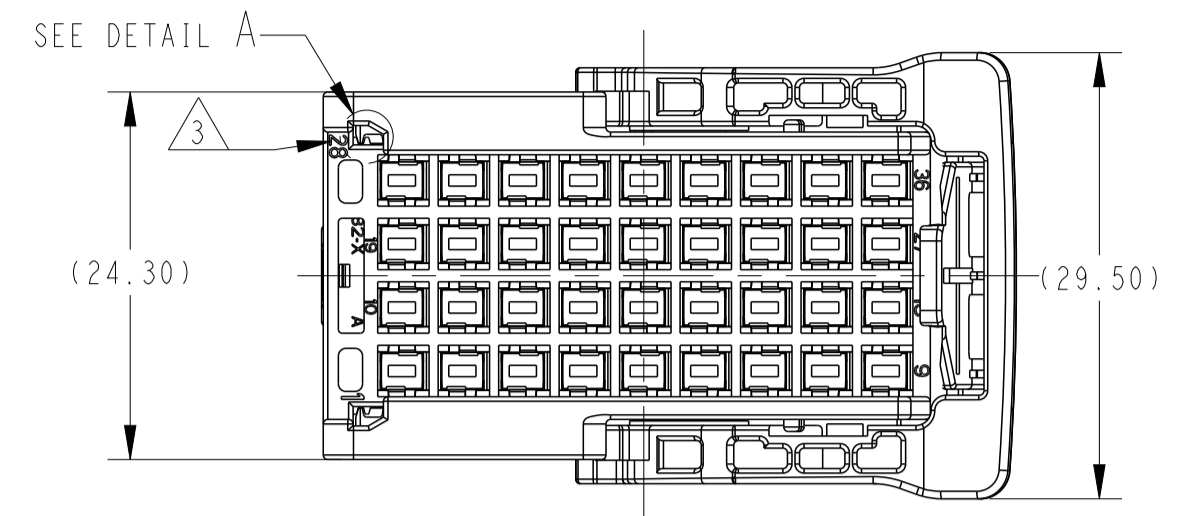
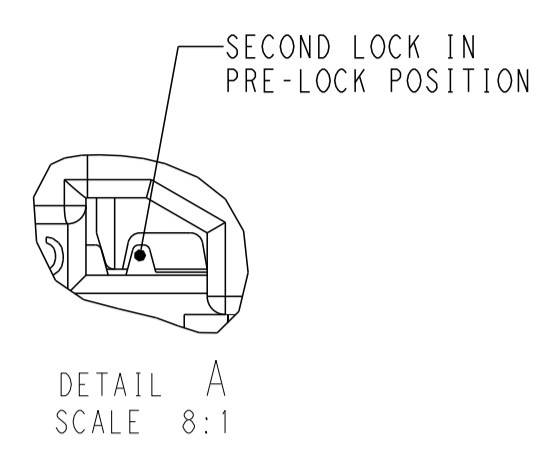


237780-1 SHOWN AS



NOTES:

- THIS PLUG MATES WITH TAB 237783-X. (X=1, 2, 3, 4, 5, 6 FOR VARIOUS CODE).
- MATERIAL: SEE TABLE.
- IDENTIFICATION FOR CABLE PINOUT.
- DATE CODE: IDENTIFIES THE YEAR, MONTH, DAY AND HOUR OF ASSEMBLY. SUCH AS :19A1309
19: YEAR, FIRST AND SECOND DIGITS (19=2019)
A: MONTH, THIRD DIGIT, EXCLUDING 1, A=JAN, B=FEB, C=MARCH...H=AUGUST, J=SEPTEMBER...
13: DAY, FOURTH AND FIFTH DIGITS(14=14th DAY)
09: HOUR, SIXTH AND SEVENTH DIGITS(11=11AM)
- INSTALL LEVER AND SECOND LOCK ONTO HOUSING AS SHOWN. THE ASSEMBLY PROCESS MUST NOT DAMAGE HOUSING AND SECOND LOCK AND LEVER.
- VERIFY THE SECOND LOCK SEATED ON PRE-LOCK POSITION FOR DELIVERY. PULL SECOND LOCK TO PRE-LOCK BEFORE TERMINAL INSERTION IN CASE OF SECOND LOCK BEING HIT TO END-LOCK POSITION.
- REFER TO 114-18386, FOR MCP 1.5K CONTACT SYSTEM APPLICATION SPECIFICATION. APPLICABLE TERMINAL PART NUMBERS AND WIRE SIZE SHOWN AS BELOW FOR RECOMMEND. CONSULT TE CONNECTIVITY FOR MORE APPLICATION INFORMATION.

1534334-1	TIN	1.5	Ø2.2-Ø2.4
1241374-1	TIN	0.5-1.0	Ø1.4-Ø2.1
TERMINAL PN	TERMINAL PLATING	WIRE SIZE (mm ²)	WIRE INSULATION OD (mm)

CODE A PN 237780-1	CODE B PN 237780-2	CODE C PN 237780-3	CODE D PN 237780-4	CODE E PN 237780-5	CODE F PN 237780-6

1	1	1	1	1	1	LEVER	PA66-GF30	YELLOW	3
1	1	1	1	1	1	SECOND LOCK	PA66-GF30	YELLOW	2
1						HOUSING.CODE F	PA66-GF30	ORANGE	1
	1					HOUSING.CODE E	PA66-GF30	GREY	
		1				HOUSING.CODE D	PA66-GF30	BLUE	
			1			HOUSING.CODE C	PA66-GF30	GREEN	
				1		HOUSING.CODE B	PA66-GF30	PURPLE	
					1	HOUSING.CODE A	PA66-GF30	BROWN	
-6	-5	-4	-3	-2	-1	DESCRIPTION	MATERIAL	COLOUR	ITEM NO
F	E	D	C	B	A	CODING			
A	A	A	A	A	A	REVISION OF EACH ASSY NO (WHEN BLANK, USE DWG REVISION)			
17.4	17.4	17.4	17.4	17.4	17.4	WEIGHT OF EACH ASSY NO [g]			
QTY REQD PER ASSY						PARTS LIST			

THIS DRAWING IS A CONTROLLED DOCUMENT.

DIMENSIONS:	TOLERANCES UNLESS OTHERWISE SPECIFIED:	OWN: L. GAO 23AUG2020	CHK: E. JIANG 23AUG2020	APVD: J. YIN 23AUG2020
mm	0 PLC ±0.5 1 PLC ±0.3 2 PLC ±0.2 3 PLC ±0.100 4 PLC ±0.0500	NAME: 36POS, MCP 1.5K, PLUG HSG ASSY	PRODUCT SPEC: 108-18957	APPLICATION SPEC: -
MATERIAL:	FINISH:	WEIGHT:	SIZE: A1	CAGE CODE: 00779
CUSTOMER DRAWING		SCALE: 2:1	SHEET: 1 OF 1	REV: A.4