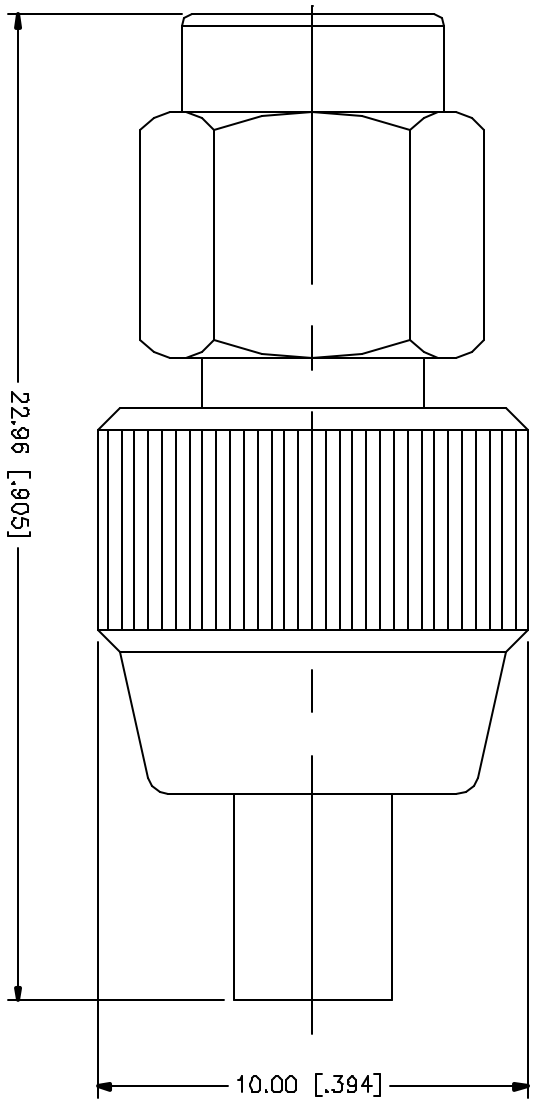


REV.	DATE	DESCRIPTION
A	03/27/05	UPDATE DRAWING FORMAT



QTY	FINISH	MATERIAL	DESCRIPTION
1	GOLD	BFR. COPPER	CONTACT PIN
1	NATURAL	TEFLON	INSULATOR
1	GOLD	BRASS	BODY

APPROVALS	DATE
DRAWN G.R.S.	03/27/05
CHECKED	
ISSUED	
SHEET 1 OF 1	

Amphenol Connex	
PART DESCRIPTION SMA MALE TO MGX FEMALE ADAPTER	
DWG. NO. 242126.DWG	PART NO. 242126
REV. A	SIZE A
SCALE NA	

PARTS DIMENSIONS SHOWN THROUGHOUT ARE IN MILLIMETERS UNLESS NOTED OTHERWISE IN [] ARE IN INCHES AND PER DIMENSION REFERENCE ONLY.
 TOLERANCES PER MILITARY SPEC. 0.3 - 3.0mm ± 0.25mm 3.0 - 120mm ± 0.45mm 120mm - 152mm ± 0.50mm
 UNLESS OTHERWISE SPECIFIED DIMENSIONS PER MILITARY SPEC. .020 - .315 = ± 0.007* .315 - 1.180 = ± 0.015* 1.180 - 4.724 = ± 0.020*
 D3D NIST SCALE DRAWING

C:/242/242126.DWG
 D3D FILE