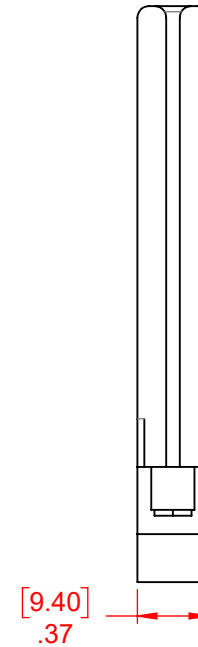
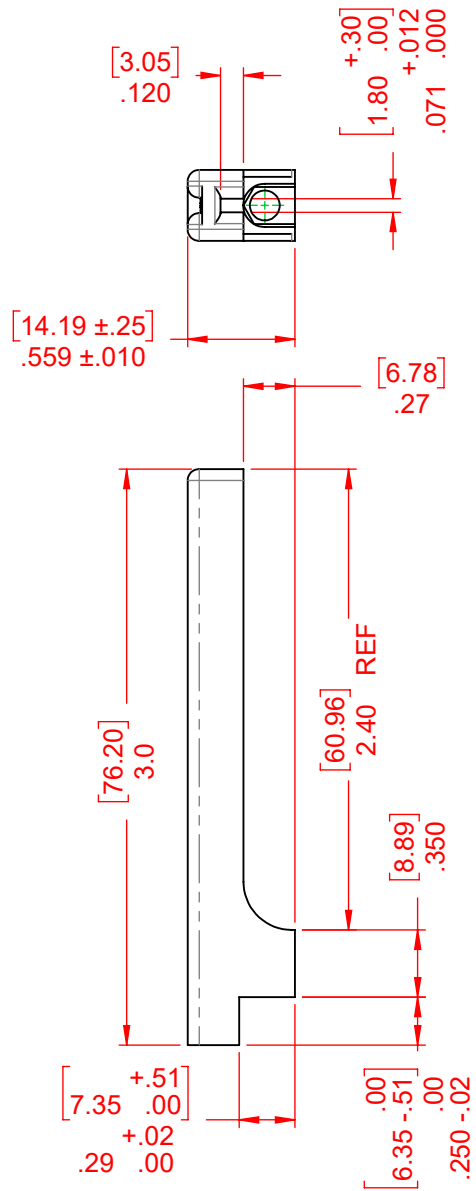


TOLERANCE UNLESS OTHERWISE SPECIFIED	
.X	±.035
.XX	±.010
.XXX	±.005

THIS IS A C.A.D. GENERATED DRAWING
DO NOT MAKE MANUAL REVISIONS TO MASTER.



ISSUE NUMBER	
ORIGINAL	①



NOTE:
MATERIAL: THERMOPLASTIC POLYESTER, GREEN IN COLOR, UL94V-0

.468" OFFSET CARD GUIDE		ACAD REFERENCE NO.: 345-220-002	
		DRAWN: F. JAWDI	DATE: AUG, 20/2001
CHECKED:	DATE:		
SCALE: 1:1	SHEET 1 OF 1		
DRAWING NUMBER: 345-220-058	ISSUE		
PART NUMBER: 345-220-058	9		



THIS SERIES FULLY CONFORMS TO
THE EUROPEAN UNION DIRECTIVES
2011/65/EU FOR RoHS COMPLIANCY.



EDAC INC
TORONTO, ONTARIO
CANADA
YOUR CONNECTION TO QUALITY & SERVICE

THESE DRAWINGS AND SPECIFICATIONS
ARE THE PROPERTY OF EDAC INC., AND
SHALL NOT BE REPRODUCED, OR COPIED
OR USED AS THE BASIS FOR THE
MANUFACTURE OR SALE OF APPARATUS
WITHOUT WRITTEN PERMISSION.