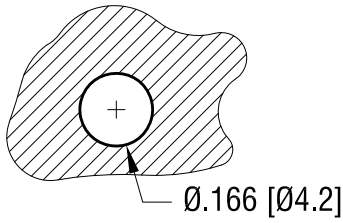
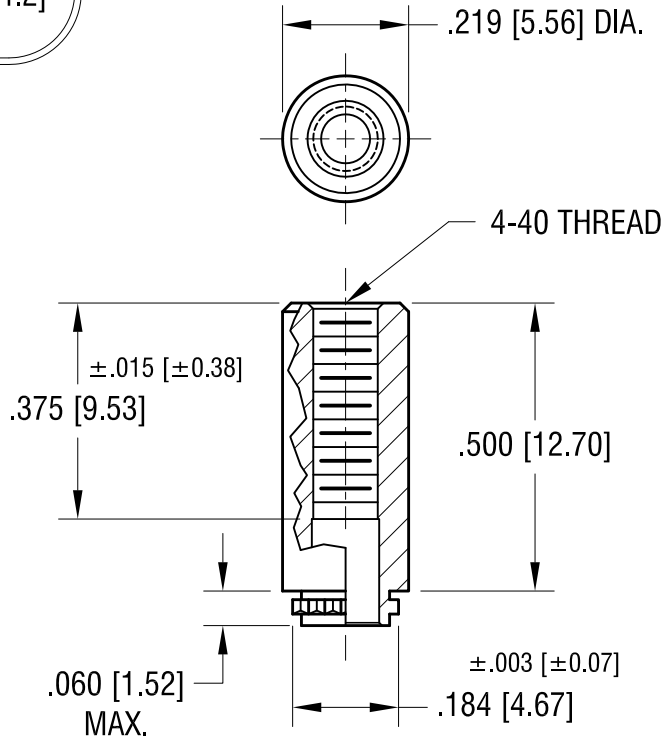


THIS DOCUMENT IS THE PROPERTY OF
KEYSTONE ELECTRONICS CORP. AND
SHALL NOT BE REPRODUCED, DISTRIBUTED
OR USED AS A BASIS FOR MANUFACTURE
WITHOUT PRIOR WRITTEN PERMISSION
FROM KEYSTONE ELECTRONICS CORP.

MOUNTING HOLE:



ACTUAL SIZE



11.22.21	CHANGE AS PER ECN 21-147	D
1.22.13	CHANGE AS PER ECN 13-003	C
12.19.05	CHANGE AS PER ECN 05-085	B
6.19.00	CHANGE AS PER ECN 00-054	A
DATE	DESCRIPTION	REV.

KEYSTONE ELECTRONICS CORP.			
www.keyelco.com • NEW HYDE PARK NY 11040 • Tel (516)328-7500			
PART NAME FORCE-FIT STANDOFF, THREADED			
MATERIAL STAINLESS STEEL			
FINISH NONE		DRN BY BOONE	DATE 3.06.00
		APP'D LN	SCALE 3X
TOLERANCES INCH [MM]	CODE	DWG NO.	
DECIMAL ±.005 [±0.13]	C	4865	
ANGULAR ± 1° UNLESS OTHERWISE SPECIFIED			