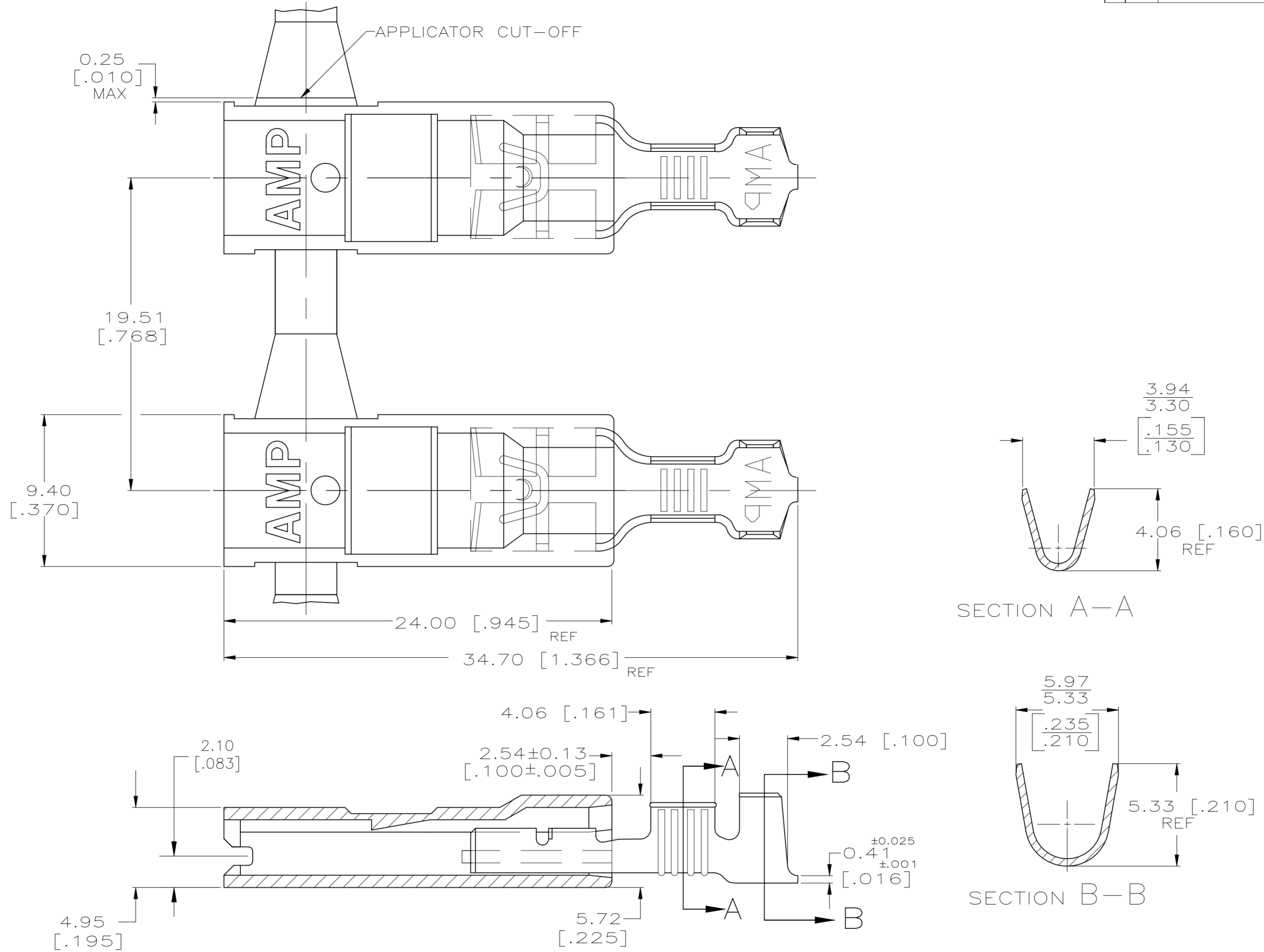


REVISIONS					
P	LTR	DESCRIPTION	DATE	DWN	APVD
A4		REVISED PER ECR-22-160893	14DEC2022	DB	BW



1 LOW-INSERTION FASTON TERMINALS, BASE P/N 63306, ARE USED IN THIS PRODUCT.

2 NOTE REMOVED

3 PRELIMINARY-NOT FOR PRODUCTION

STANDARD	TIN OVER NICKEL	2.79-4.32	0.8-2.0 mm ² [18-14]	0.813 [.032]	3 521367-3
STANDARD	TIN PLATE	[.110-.170] DIA			521367-2
STANDARD	PLAIN				521367-1
PACKAGING	TERMINAL FINISH	INSULATION RANGE	WIRE SIZE	MATING TAB THK±0.025 [±.001]	PART NO

THIS DRAWING IS A CONTROLLED DOCUMENT.		DWN	JR RUTH	15JAN01
DIMENSIONS: mm [INCHES]		CHK	MS FEHER	15JAN01
TOLERANCES UNLESS OTHERWISE SPECIFIED:		APVD	J HUMMEL	15JAN01
0 PLC	± -	PRODUCT SPEC	108-1285	
1 PLC	± -	APPLICATION SPEC	114-2124	
2 PLC	± -	WEIGHT	0.000000	
3 PLC	± 0.25 [.010]	CUSTOMER DRAWING		
4 PLC	± -			
ANGLES	± -			
MATERIAL	FINISH	SIZE	CAGE CODE	DRAWING NO
HOUSING - 6/6 VO NYLON	HOUSING - NATURAL	A2	00779	C=521367
TERMINAL - BRASS	TERMINAL - SEE TABLE	SCALE	SHEET	REV
		5:1	1 of 1	A4



ASSEMBLY, ULTRA-POD, RECEPTACLE, 6.35 [.250] SERIES

521367

B

A