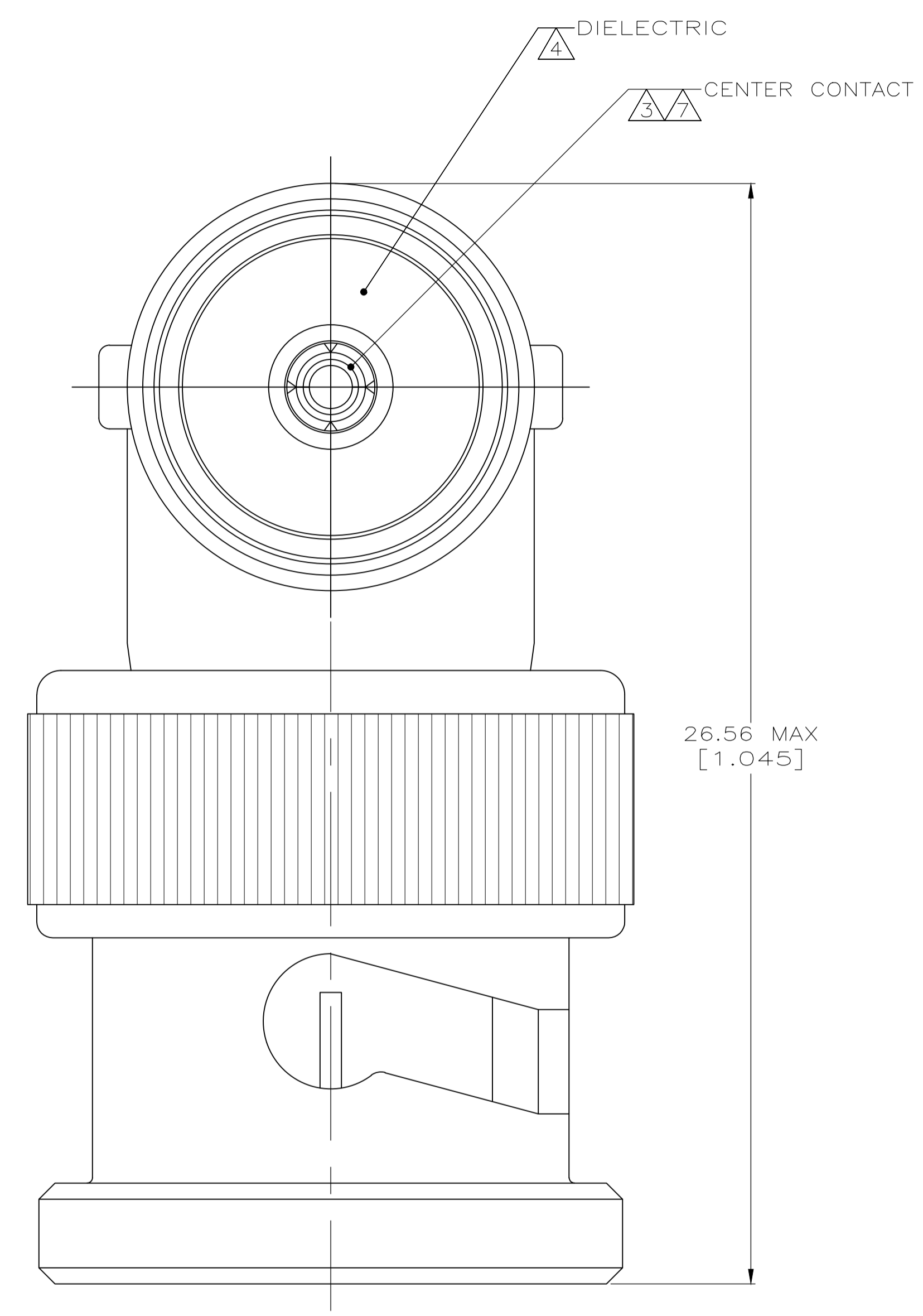
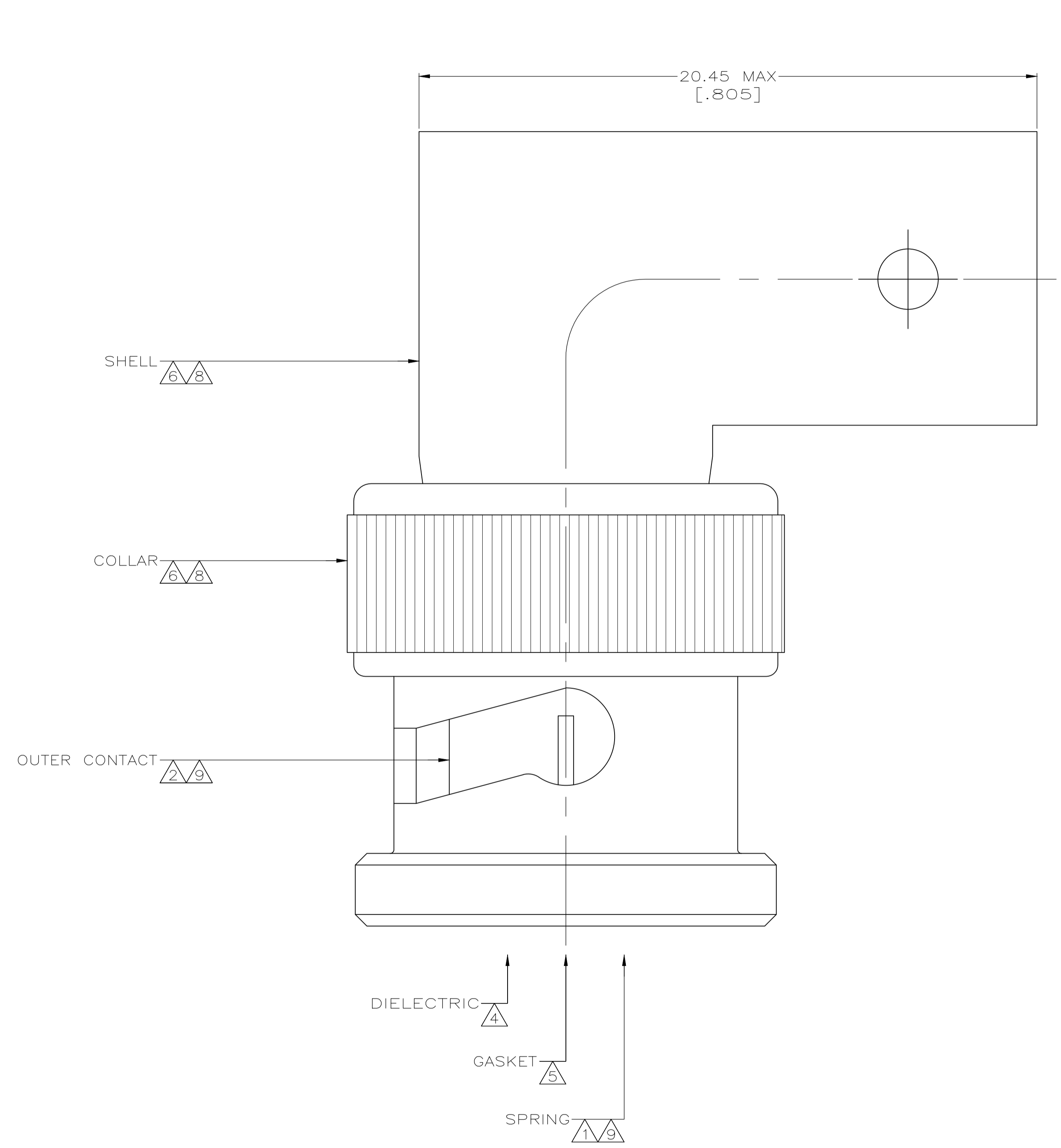


REVISIONS					
P	LTR	DESCRIPTION	DATE	DMN	APVD
A1	ECR-19-008686		25JUN2019	RZ	RS

- ① CARBON STEEL PER ASTM-A-108
- ② BRASS PER ASTM-B-16
- ③ PHOSPHOR BRONZE PER ASTM-B-139
- ④ POLYMETHYLPENTENE: GENERAL PURPOSE
- ⑤ SILICONE RUBBER PER ZZ-R-765
- ⑥ ZINC DIE CAST PER ASTM-B-86
- ⑦ GOLD PLATE PER ASTM-B-488, 0.76µm [.000030] MIN THICKNESS
- ⑧ NICKEL PLATE PER QQ-N-290, 1.27µm [.000050] MIN THICKNESS
- ⑨ NICKEL PLATE PER QQ-N-290, 2.54µm [.000100] MIN THICKNESS



5415020-1  
 PART NUMBER

THIS DRAWING IS A CONTROLLED DOCUMENT.		DIN L VARELA - DOCKIS 18APR2005		TE Connectivity	
DIMENSIONS: mm [INCHES]		CIRK J HAVENER 18APR2005		NAME	
0 PLC ± - 1 PLC ± - 2 PLC ± - 3 PLC ± - 4 PLC ± - ANGLES ± -		APVD J LIPPERT 18APR2005		PRODUCT SPEC	
MATERIAL SEE NOTES		FINISH SEE NOTES		108-12096 APPLICATION SPEC	
WEIGHT 0.000000		A1 00779		SIZE CAGE CODE DRAWING NO RESTRICTED TO C=5415020 -	
CUSTOMER DRAWING		SCALE 10:1		SHEET 1 OF 1 REV A1	