

PLEASE CHECK WWW.MOLEX.COM FOR LATEST PART INFORMATION

Part Number: [0747440220](#)
Status: **Active**
Overview: [X2 Rail](#)
Description: X2 10Gbps Guide Rail

Documents:

[3D Model](#) [Packaging Specification PK-74744-002 \(PDF\)](#)
[Drawing \(PDF\)](#) [RoHS Certificate of Compliance \(PDF\)](#)

General

Product Family	I/O Connectors
Series	74744
Application	Module-to-Board
Comments	PCB Thickness: 1.57mm Single Sided Use & 2.29mm Belly-to-belly Use Screw use is optional
Component Type	Guide
Overview	X2 Rail
Product Name	X2
Type	N/A
UPC	822350567206

Physical

Circuits (Loaded)	N/A
Keying to Mating Part	None
Lock to Mating Part	Yes
Material - Plating Mating	N/A
Net Weight	29.000/g
Orientation	Right Angle
PCB Retention	Yes
Packaging Type	Tray
Panel Mount	No
Pitch - Mating Interface	N/A
Polarized to Mating Part	N/A
Surface Mount Compatible (SMC)	No
Termination Interface: Style	Through Hole

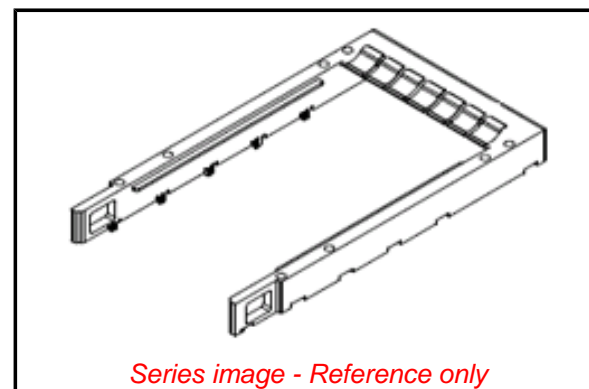
Electrical

Current - Maximum per Contact	N/A
Grounding to Panel	N/A

Material Info

Reference - Drawing Numbers

Packaging Specification	PK-74744-002
Sales Drawing	SD-74744-220



EU ELV

Not Relevant

EU RoHS

Compliant

REACH SVHC

Not Contained Per -
ED/108/2014 (17 Dec
2014)

Halogen-Free

Status

Low-Halogen

Need more information on product environmental compliance?

Email productcompliance@molex.com
Please visit the [Contact Us](#) section for any non-product compliance questions.

China ROHS

ELV

Green Image

Not Relevant

Search Parts in this Series

[74744 Series](#)

Use With

[74735 X2 Transceiver](#)