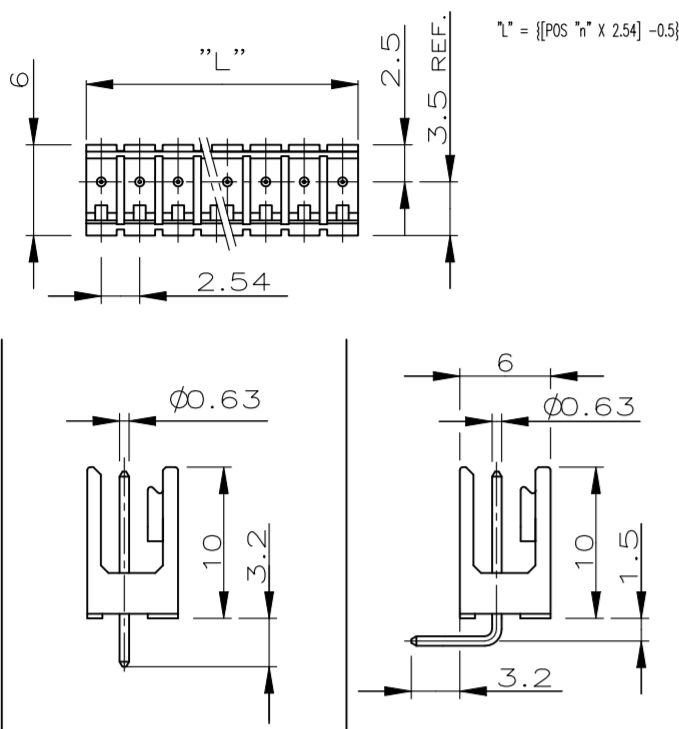


THIS DRAWING IS UNPUBLISHED. RELEASED FOR PUBLICATION
 © COPYRIGHT - By - ALL RIGHTS RESERVED.

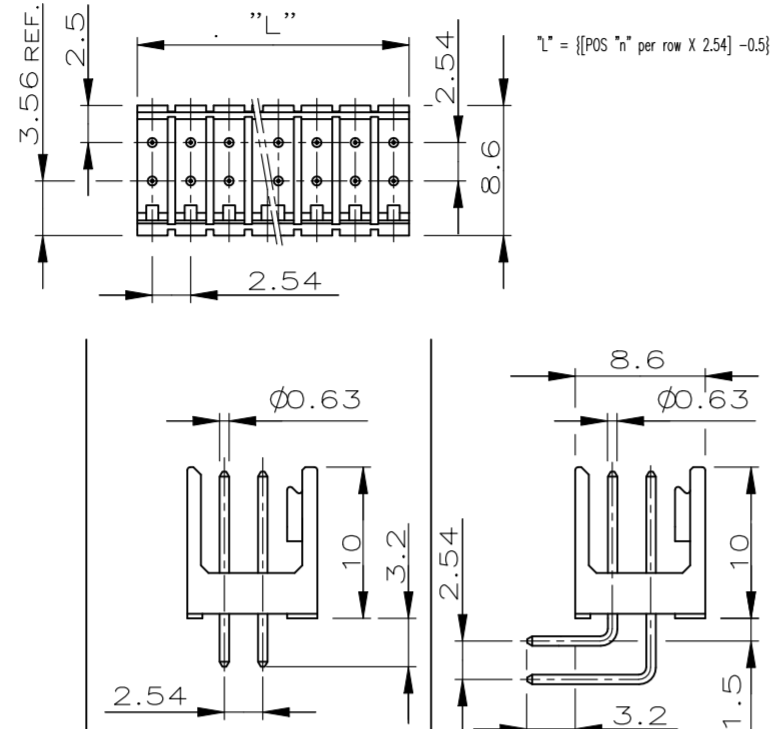
MODU II SHROUDED POSTS

MODU II Stiftleiste

SINGLE ROW 3 TO 50 POS.
Einreihig 3 bis 50 pol.



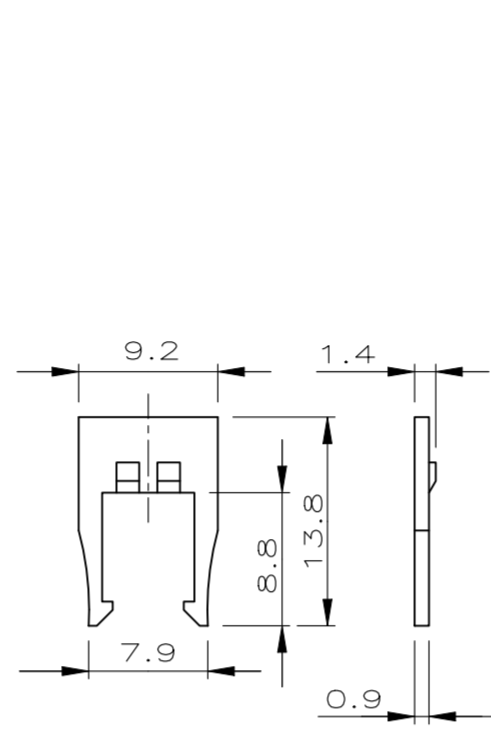
DOUBLE ROW 2x3 TO 2x50 POS.
Zweireihig 2x3 bis 2x50 pol.



POS.	PART NUMBERS	PART NUMBERS	POS.	PART NUMBERS	PART NUMBERS
3 (2) TO 50	△ 826467-3 BIS 5-826467-0	△ 826468-3 BIS 5-826468-0	2x3 TO 2x50	△ 826469-3 BIS 5-826469-0	△ 826470-2 BIS 5-826470-0
	△ 827295-2 BIS 5-827295-0	△ 827296-3 BIS 5-827296-0		△ 827297-3 BIS 5-827297-0	△ 827298-3 BIS 5-827298-0

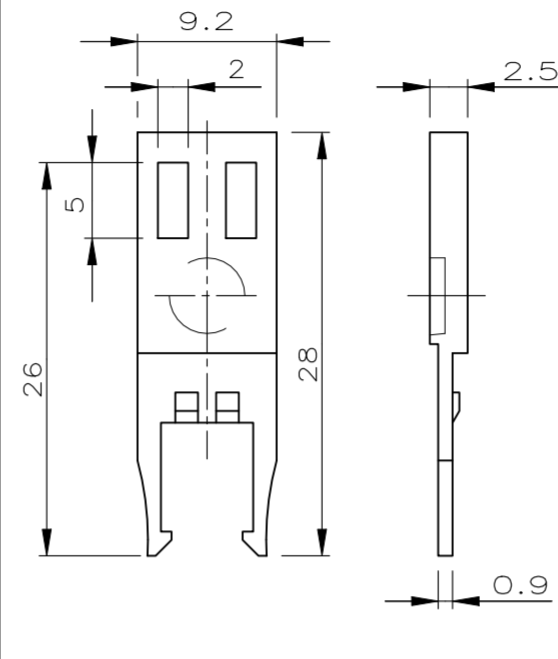
RETENTION PLUG

Rastgabel



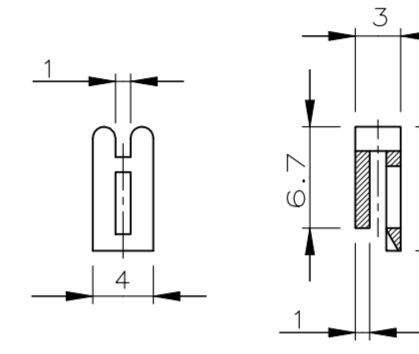
RETENTION PLUG WITH STRAIN RELIEF

Rastgabel mit Zugentlastung



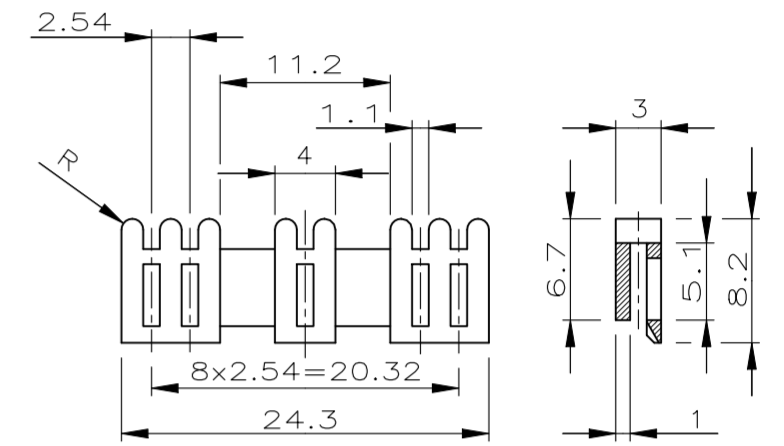
KEYING PLUG

Kodierstift



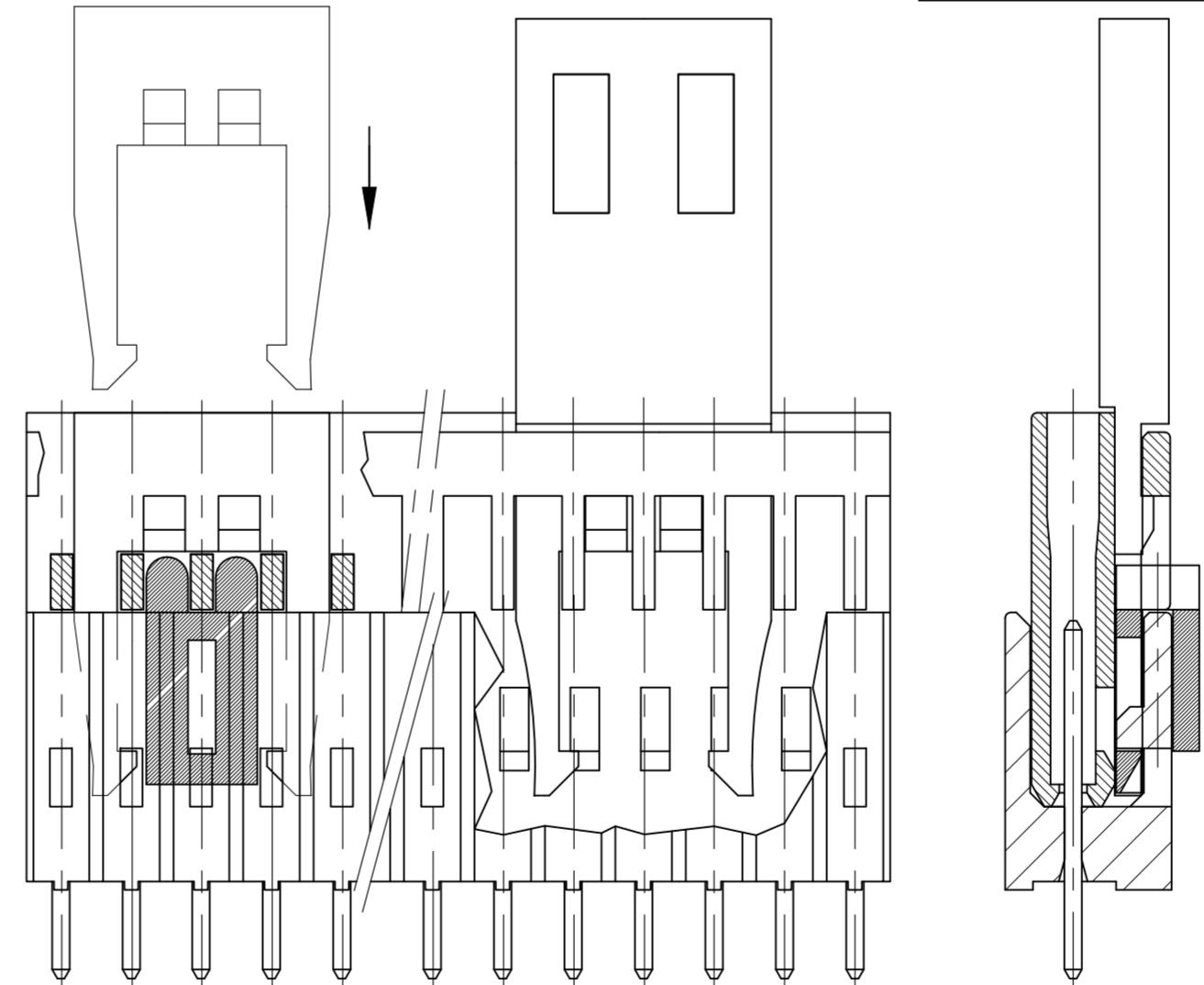
KEYING BLOCK

Kodierblock



ASSEMBLED COMPONENTS (FOR EXAMPLE)

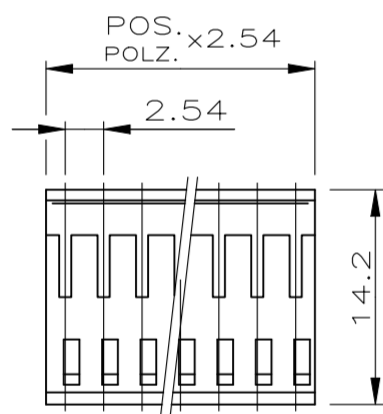
Anwendungsbeispiel



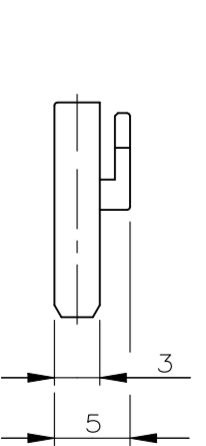
- 1 CONTACT PIN/Kontaktstift: CuZn
PLATING MATING AREA:
MIN. 0.7µm PdNi + 0.1µm GOLD FLASH OVER 1.27µm Ni
SOLDER SIDE: MIN 3.0µm Sn OVER 1.27µm Ni
- 2 CONTACT PIN/Kontaktstift: CuSn
PRE TIN PLATED MIN. 2.0µm Sn OVER 1.27µm Ni (PIN TIPS BLANK)
Vorverzinnt min. 2.0µm Sn über 1.27µm Ni (Stiftspitzen blank)
MATERIAL:
PIN HEADER
Stiftgehäuse PCT-GV BLACK/schwarz
RECEPTACLE HOUSING
Buchsengehäuse PBT-GV BLACK/schwarz
RETENTION PLUGS
Rastgabeln PC-GV
KEYING PLUG AND BLOCK
Kodierstift, -block PA 6.6 GV
FFC HOUSING
FFC Gehäuse PBT-GV BLACK/schwarz
- 3 OBSOLETE PARTS
- 4 SUPERSEDED BY 926477-1 AND 926477-2
- 5 SUPERSEDED BY 926478-1 AND 926478-2

MODU IV RECEPTACLE HOUSING

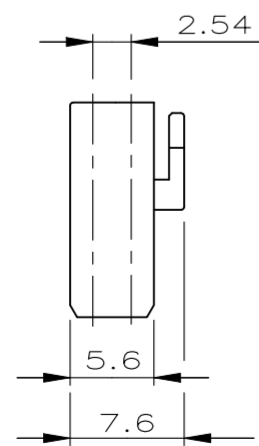
MODU IV Buchsengehäuse



SINGLE ROW
2 TO 36 POS.
Einreihig
2 bis 36 polig.

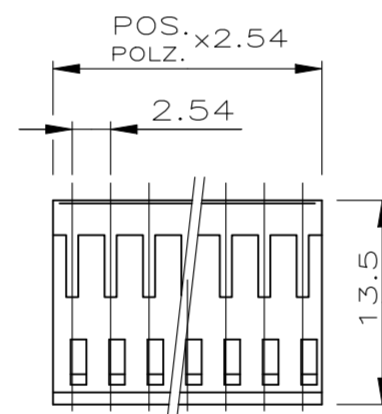


DOUBLE ROW
2x2 TO 2x36 POS.
Zweireihig
2x2 bis 2x36 polig

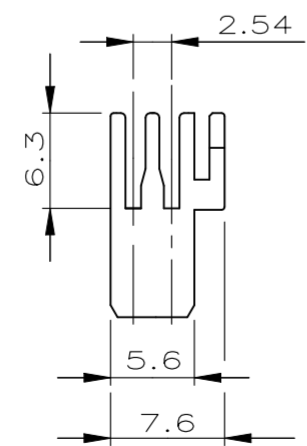


FFC HOUSING

FFC Gehäuse



DOUBLE ROW
2x3 TO 2x13 POS.
Zweireihig
2x3 bis 2x13 polig



POS.	PART NUMBERS	POS.	PART NUMBERS	POS.	PART NUMBERS
2 TO 36	926475-2 3-926475-6	2x2 TO 2x36	926476-2 3-926476-6	2x3 TO 2x13	927009-3 1-927009-3

THIS DRAWING IS A CONTROLLED DOCUMENT.

DWN	A.HO	08.03.85
CHK	M.SCHAARSCHMIDT	02.05.85
APVD	-	-
PRODUCT SPEC	-	-
APPLICATION SPEC	-	-
WEIGHT	-	-
CUSTOMER DRAWING	-	-

TE Connectivity

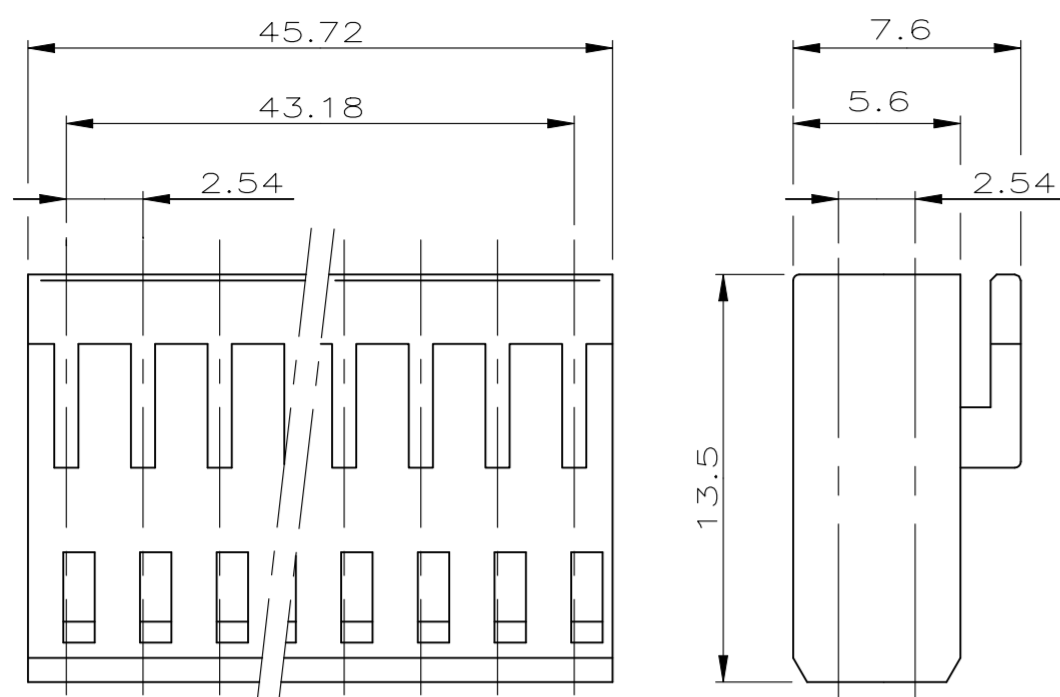
AMPMODU II / AMPMODU IV

SIZE A2 CAGE CODE 00779 DRAWING NO. C=826467 RESTRICTED TO -

SCALE 2:1 SHEET 1 OF 2 REV Y3

THIS DRAWING IS UNPUBLISHED. RELEASED FOR PUBLICATION
 © COPYRIGHT - By - ALL RIGHTS RESERVED.

REVISIONS				
P	LTR	DESCRIPTION	DATE	APVD
-	-	SEE SHEET 1	-	-



PN 6-926476-8
 2x18 POS. AMPMODU IV RECEPTACLE HOUSING
 2x18 POL. AMPMODU IV BUCHSENGEHÄUSE

PACKAGING
 Verpackung

PART NUMBER 5-826467-3 INCLUDING 75 PCS. OF PN 826467-3
 PACKED IN PLASTIC BOX (78mm x 78mm x 45mm)
 FOR TE-HARRISBURG ONLY

Bestell- Nummer 5-826467-3 enthält 75 Stk. PN 826467-3
 verpackt in Kunststoffschachtel (78mm x 78mm x 45mm)
 nur für TE-Harrisburg

826467

THIS DRAWING IS A CONTROLLED DOCUMENT.		DWN M.SCHAARSCHMIDT 27.09.85	STE TE Connectivity	
		CHK W.MORITZ 30.09.85		
DIMENSIONS: mm		TOLERANCES UNLESS OTHERWISE SPECIFIED: ±0.2mm		NAME AMPMODU II / AMPMODU IV
		0 PLC ± - 1 PLC ± - 2 PLC ± - 3 PLC ± - 4 PLC ± - ANGLES ± -		APVD -
		PRODUCT SPEC -		APPLICATION SPEC -
MATERIAL -	FINISH -	WEIGHT	SIZE A2	CAGE CODE 00779
		DRAWING NO C=826467		RESTRICTED TO -
CUSTOMER DRAWING			SCALE 2:1	SHEET 2 OF 2
			REV Y3	