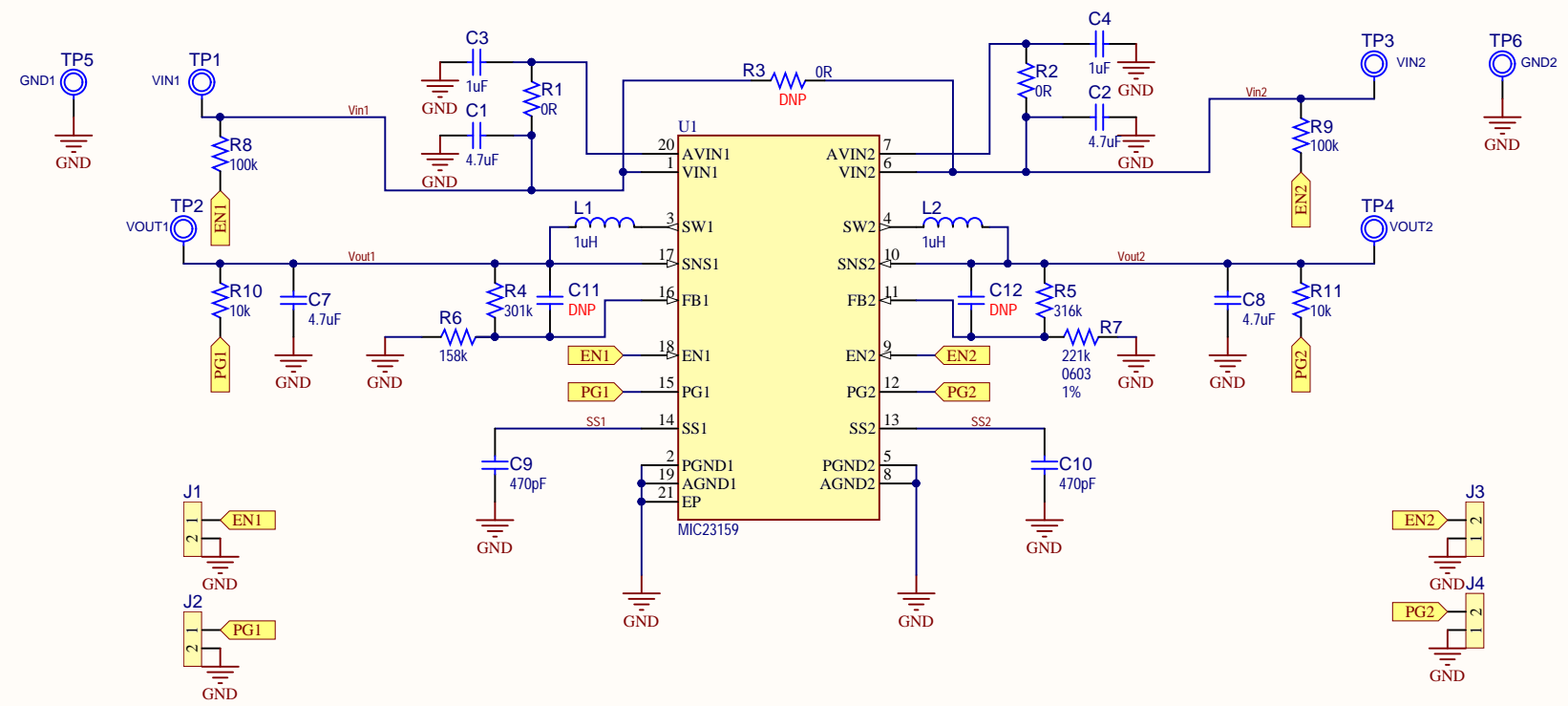


| REV | ECO# | DESCRIPTION | DATE |
|-----|------|-------------|------|
|     |      |             |      |



LABEL  
**02- -R1**  
**JIT**  
 LABEL Need Help Small

- PAD1
- RUBBER PAD D6.4 H1.9
- PAD2
- RUBBER PAD D6.4 H1.9
- PAD3
- RUBBER PAD D6.4 H1.9
- PAD4
- RUBBER PAD D6.4 H1.9

|   |   |
|---|---|
| Drawn By:<br>Catalin Bibirica                   |   |
| Engineer:<br>Catalin Bibirica                   |   |
| PartNumber:<br>ADM00829                         | Project Title<br><b>MIC23158/9 Evaluation Board</b> |
| Sheet Title<br><b>MIC23158 Evaluation Board</b> |   |
| Size<br>B                                       | Sch #03-10649<br>Revision:1                         |
| Date:<br>6/30/2017 2:03:05 PM                   | Sheet 1 of 1  |
| File: MIC23158 Eval Board.SchDoc                |   |

Designed with  
  
 Altium.com