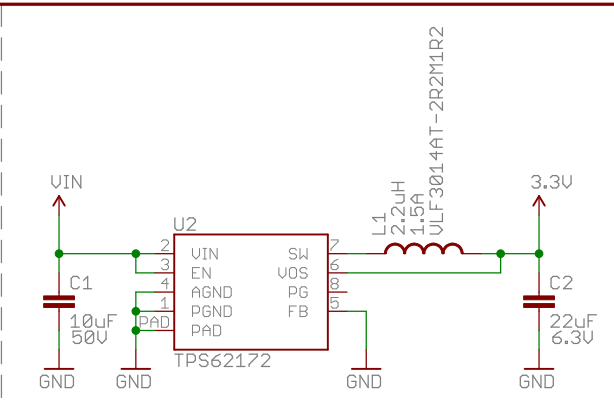
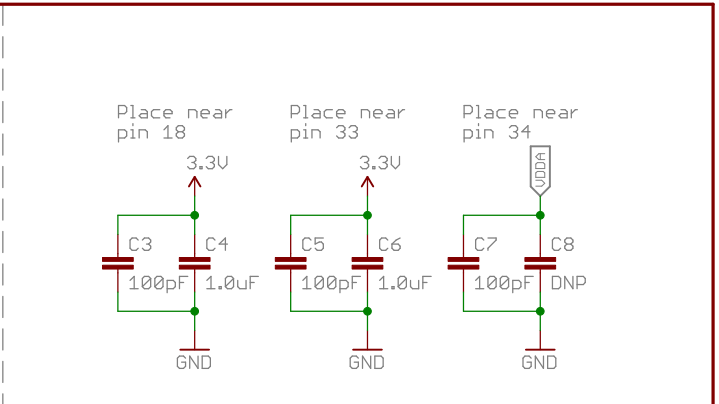


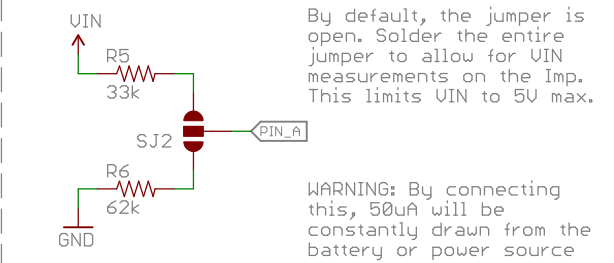
Input Voltage Source Selection



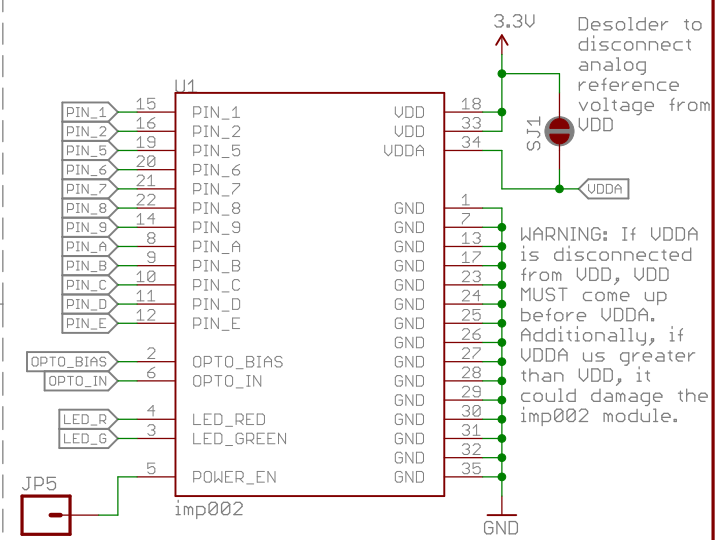
DC/DC Converter



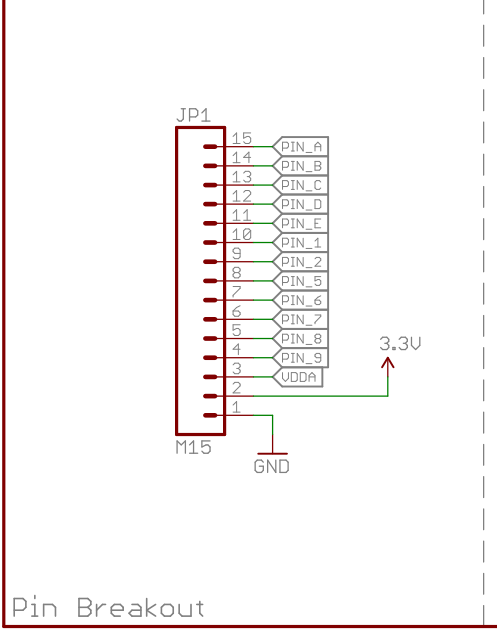
Decoupling Capacitors



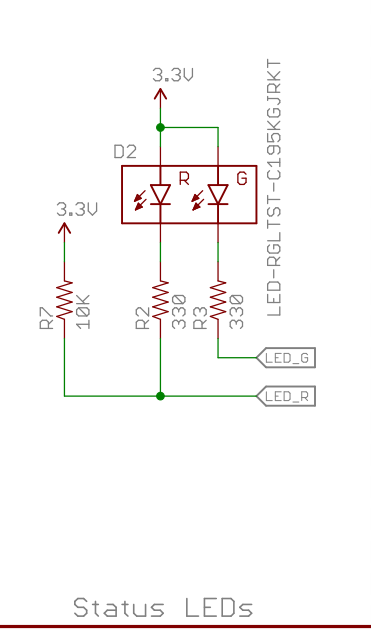
Input Voltage Measurement



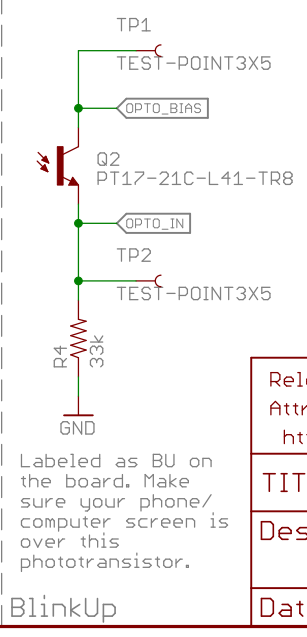
imp002 Module



Pin Breakout



Status LEDs



BlinkUp



Released under the Creative Commons Attribution Share-Alike 4.0 License https://creativecommons.org/licenses/by-sa/4.0/		⊙ ⊙ ⊗ ⊙ ⊙ ⊗
TITLE: Electric_Imp_imp002_Breakout		SFE
Design by: Shawn Hymel (SparkFun Electronics) Based on Electric Imp's Amber board		REV: v10
Date: 6/25/2015 12:46 PM	Sheet: 1/1	