

Released under the Creative Commons Attribution Share-Alike 4.0 License 
<https://creativecommons.org/licenses/by-sa/4.0/> 

TITLE: Battery_Block

Design by Casey Kuhns

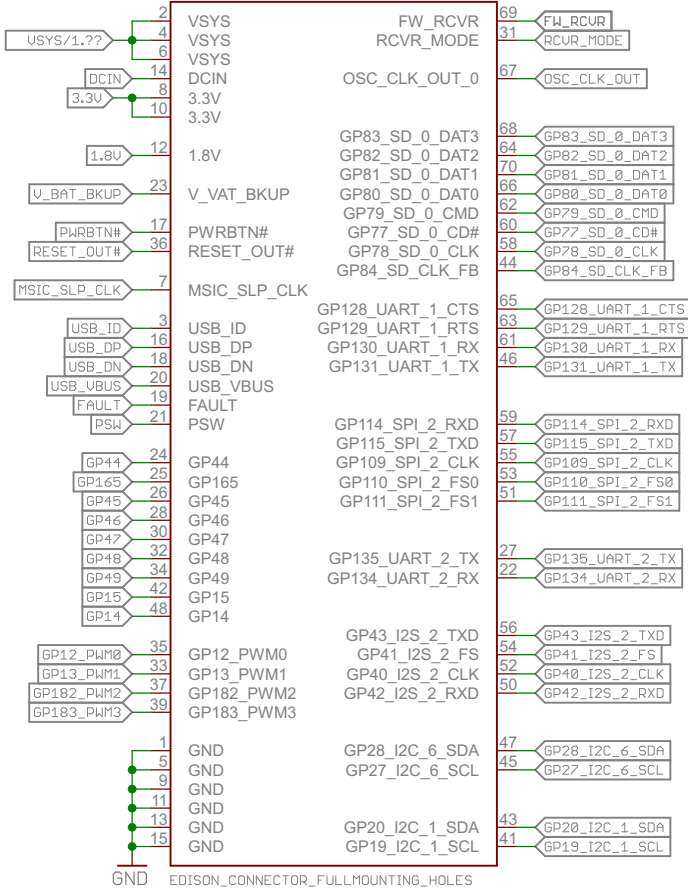
REV:
v10

Date: 10/21/2014 8:16:36 AM

Sheet: 1/2

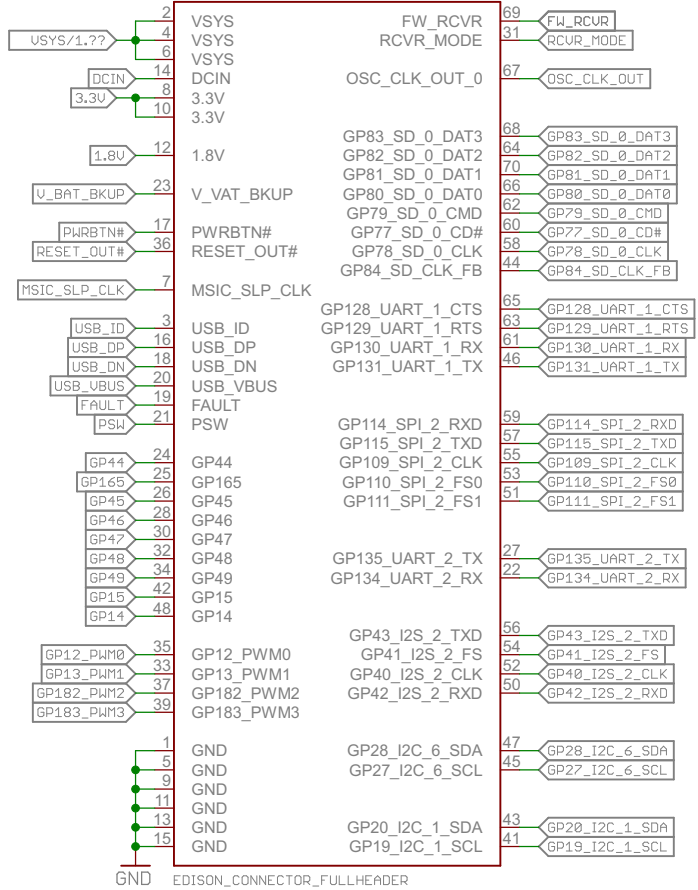
TOP-EDISON

U2 (Bottom Copper)



BOTTOM

Component side (Top Copper)



Released under the Creative Commons Attribution Share-Alike 4.0 License
<https://creativecommons.org/licenses/by-sa/4.0/>

TITLE: Battery_Block

Design by: _____ REV: _____

Date: 10/21/2014 8:16:36 AM Sheet: 2/2