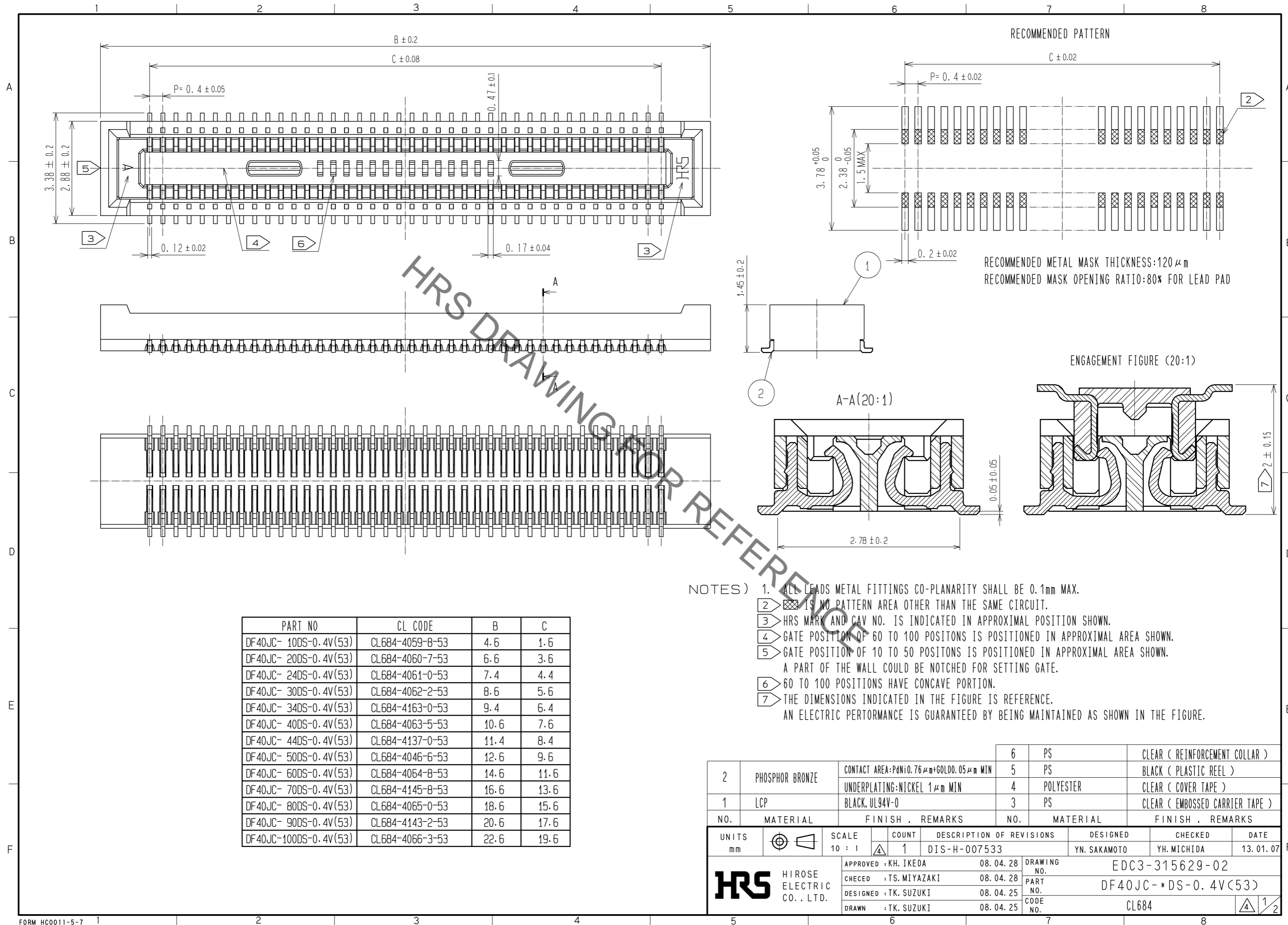


Jul.1.2019 Copyright 2019 HIROSE ELECTRIC CO., LTD. All Rights Reserved.
 In case of consideration for using Automotive equipment / device which demand high reliability, kindly contact our sales window correspondents.



RECOMMENDED METAL MASK THICKNESS: 120 μm
 RECOMMENDED MASK OPENING RATIO: 80% FOR LEAD PAD

- NOTES)
- ALL LEADS METAL FITTINGS CO-PLANARITY SHALL BE 0.1mm MAX.
 - IS NO PATTERN AREA OTHER THAN THE SAME CIRCUIT.
 - HRS MARK AND CAV NO. IS INDICATED IN APPROXIMAL POSITION SHOWN.
 - GATE POSITION OF 60 TO 100 POSITONS IS POSITIONED IN APPROXIMAL AREA SHOWN.
 - GATE POSITION OF 10 TO 50 POSITONS IS POSITIONED IN APPROXIMAL AREA SHOWN.
 A PART OF THE WALL COULD BE NOTCHED FOR SETTING GATE.
 - 60 TO 100 POSITIONS HAVE CONCAVE PORTION.
 - THE DIMENSIONS INDICATED IN THE FIGURE IS REFERENCE.
 AN ELECTRIC PERFORMANCE IS GUARANTEED BY BEING MAINTAINED AS SHOWN IN THE FIGURE.

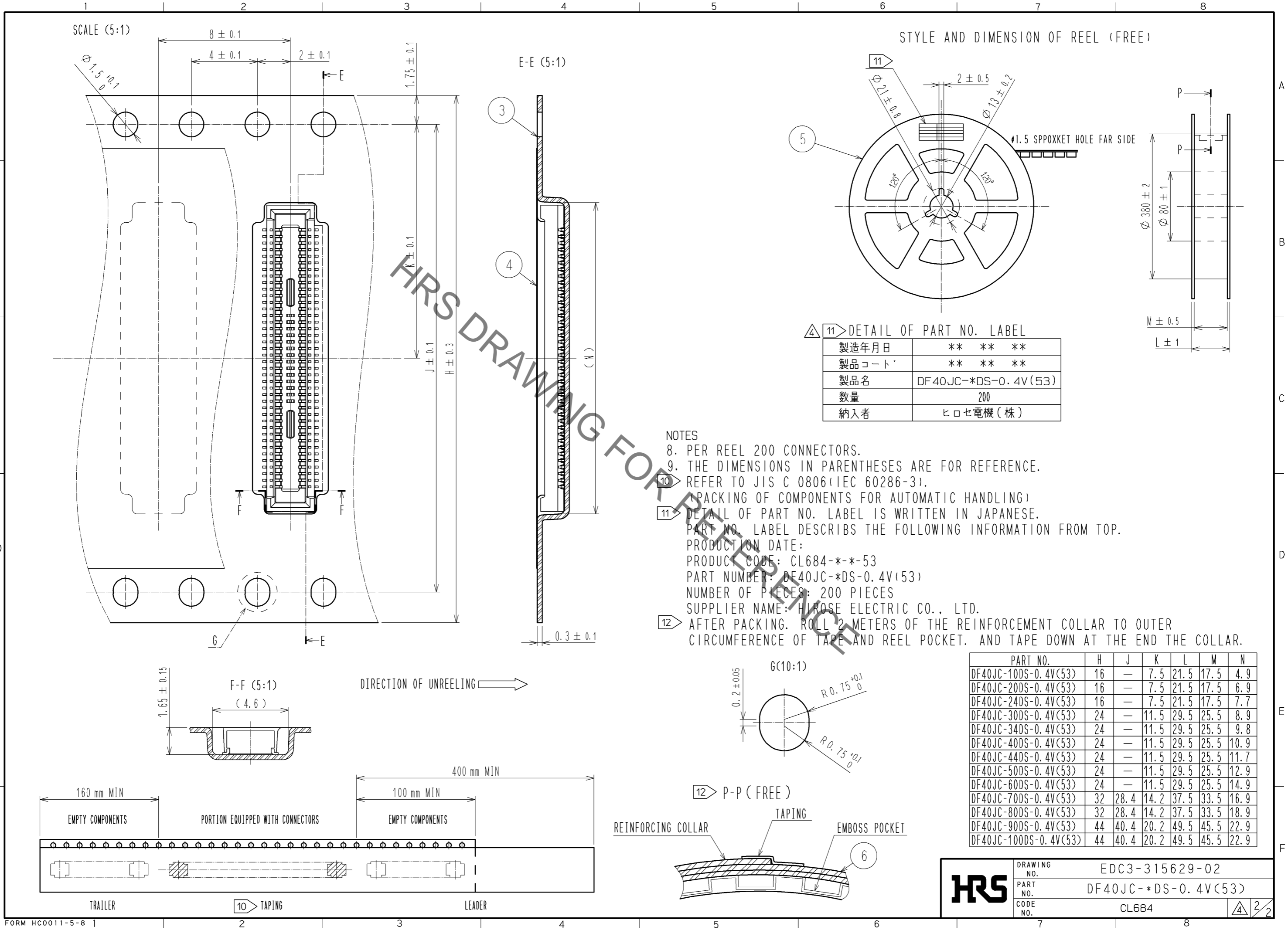
PART NO	CL CODE	B	C
DF40JC- 10DS-0.4V(53)	CL684-4059-8-53	4.6	1.6
DF40JC- 20DS-0.4V(53)	CL684-4060-7-53	6.6	3.6
DF40JC- 24DS-0.4V(53)	CL684-4061-0-53	7.4	4.4
DF40JC- 30DS-0.4V(53)	CL684-4062-2-53	8.6	5.6
DF40JC- 34DS-0.4V(53)	CL684-4163-0-53	9.4	6.4
DF40JC- 40DS-0.4V(53)	CL684-4063-5-53	10.6	7.6
DF40JC- 44DS-0.4V(53)	CL684-4137-0-53	11.4	8.4
DF40JC- 50DS-0.4V(53)	CL684-4046-6-53	12.6	9.6
DF40JC- 60DS-0.4V(53)	CL684-4064-8-53	14.6	11.6
DF40JC- 70DS-0.4V(53)	CL684-4145-8-53	16.6	13.6
DF40JC- 80DS-0.4V(53)	CL684-4065-0-53	18.6	15.6
DF40JC- 90DS-0.4V(53)	CL684-4143-2-53	20.6	17.6
DF40JC-100DS-0.4V(53)	CL684-4066-3-53	22.6	19.6

NO.	MATERIAL	FINISH	REMARKS	NO.	MATERIAL	FINISH	REMARKS
2	PHOSPHOR BRONZE		CONTACT AREA: PdNi0.76 μm + GOLD 0.05 μm MIN UNDERPLATING: NICKEL 1 μm MIN	6	PS		CLEAR (REINFORCEMENT COLLAR)
1	LCP		BLACK. UL94V-0	5	PS		BLACK (PLASTIC REEL)
				4	POLYESTER		CLEAR (COVER TAPE)
				3	PS		CLEAR (EMBOSSED CARRIER TAPE)

UNITS	SCALE	COUNT	DESCRIPTION OF REVISIONS	DESIGNED	CHECKED	DATE
mm	10 : 1	1	DIS-H-007533	YN. SAKAMOTO	YH. MICHIDA	13. 01. 07

APPROVED	CHECED	DESIGNED	DRAWN	DATE	DRAWING NO.	PART NO.	CODE NO.
KH. IKEDA	TS. MIYAZAKI	TK. SUZUKI	TK. SUZUKI	08. 04. 28	EDC3-315629-02	DF40JC- *DS-0.4V(53)	CL684

Jul. 1.2019 Copyright 2019 HIROSE ELECTRIC CO., LTD. All Rights Reserved.
 In case of consideration for using Automotive equipment / device which demand high reliability, kindly contact our sales window correspondents.



STYLE AND DIMENSION OF REEL (FREE)

△ 11 DETAIL OF PART NO. LABEL

製造年月日	** ** *
製品コード	** ** *
製品名	DF40JC-*DS-0.4V(53)
数量	200
納入者	ヒロセ電機(株)

NOTES
 8. PER REEL 200 CONNECTORS.
 9. THE DIMENSIONS IN PARENTHESES ARE FOR REFERENCE.
 10 REFER TO JIS C 0806(IEC 60286-3).
 (PACKING OF COMPONENTS FOR AUTOMATIC HANDLING)
 11 DETAIL OF PART NO. LABEL IS WRITTEN IN JAPANESE.
 PART NO. LABEL DESCRIBES THE FOLLOWING INFORMATION FROM TOP.
 PRODUCTION DATE:
 PRODUCT CODE: CL684-*-*53
 PART NUMBER: DF40JC-*DS-0.4V(53)
 NUMBER OF PIECES: 200 PIECES
 SUPPLIER NAME: HIROSE ELECTRIC CO., LTD.
 12 AFTER PACKING, ROLL 2 METERS OF THE REINFORCEMENT COLLAR TO OUTER CIRCUMFERENCE OF TAPE AND REEL POCKET. AND TAPE DOWN AT THE END THE COLLAR.

PART NO.	H	J	K	L	M	N
DF40JC-10DS-0.4V(53)	16	—	7.5	21.5	17.5	4.9
DF40JC-20DS-0.4V(53)	16	—	7.5	21.5	17.5	6.9
DF40JC-24DS-0.4V(53)	16	—	7.5	21.5	17.5	7.7
DF40JC-30DS-0.4V(53)	24	—	11.5	29.5	25.5	8.9
DF40JC-34DS-0.4V(53)	24	—	11.5	29.5	25.5	9.8
DF40JC-40DS-0.4V(53)	24	—	11.5	29.5	25.5	10.9
DF40JC-44DS-0.4V(53)	24	—	11.5	29.5	25.5	11.7
DF40JC-50DS-0.4V(53)	24	—	11.5	29.5	25.5	12.9
DF40JC-60DS-0.4V(53)	24	—	11.5	29.5	25.5	14.9
DF40JC-70DS-0.4V(53)	32	28.4	14.2	37.5	33.5	16.9
DF40JC-80DS-0.4V(53)	32	28.4	14.2	37.5	33.5	18.9
DF40JC-90DS-0.4V(53)	44	40.4	20.2	49.5	45.5	22.9
DF40JC-100DS-0.4V(53)	44	40.4	20.2	49.5	45.5	22.9

HRS	DRAWING NO.	EDC3-315629-02
	PART NO.	DF40JC-*DS-0.4V(53)
	CODE NO.	CL684