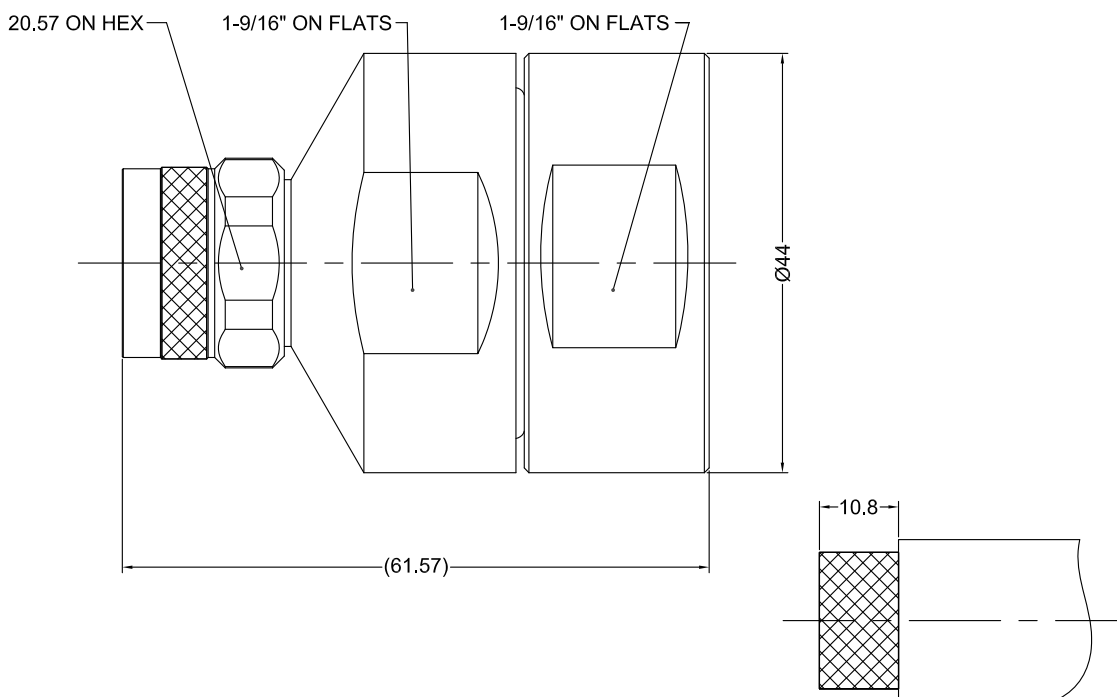


NOTICE OF PROPRIETARY RIGHTS THIS DOCUMENT CONTAINS CONFIDENTIAL DATA, INCLUDING TRADE SECRETS, PROPRIETARY TO TIMES MICROWAVE SYSTEMS. DISCLOSURE OF THIS DATA IS EXPRESSLY CONDITIONED UPON YOUR ASSENT THAT ITS USE IS LIMITED TO USE WITHIN YOUR COMPANY ONLY. ANY OTHER USE IS STRICTLY PROHIBITED WITHOUT THE PRIOR WRITTEN CONSENT OF TIMES MICROWAVE SYSTEMS.

SYM	REVISION DESCRIPTION	DFTM	DATE	APPD	APPD
A	RELEASED FOR PRODUCTION	Joslen	2015.01.13	TZ	2015.01.13



RECOMMENDED CABLE STRIPPING DIM'S
Connector adds: 35 mm

I. MATERIALS & FINISHES

Components	Materials	Finishes	Thk. (μ")
Body	Brass	Albaloy	80
Center Cont.	PB BRONZE	Silver	200
Insulator	PTFE	--	--
Gasket	Silicone	--	--
Clamper	Brass	Albaloy	80
Nut	Brass	Albaloy	80

II. ELECTRICAL PROPERTIES

Impedance (Ω):	50
Frequency Range (GHz):	DC to 6 GHz
Working Voltage (V):	5000
Insulation Resistance (MΩ):	≥10000
VSWR:	≤1.35
Insertion Loss(dB, f/GHz):	-0.1x √ f

III. ENVIRONMENT PROPERTIES

Temperature Range:	-55°C~+85°C
Thermal Shock:	MIL-STD 202G, Meth.107, Cond.B
Vibration:	MIL-STD 202G, Meth.204, Cond.B
Shock:	MIL-STD 202G, Meth.213, Cond I
Climatic Class:	IEC 60068 55/155/56
(2002/95/EC)RoHS:	Compliant

IV. MECHANICAL PROPERTIES

Center Cont.:	Captive
Outer Cont.:	Clamp
Coupling Nut Torque (N.m):	1.1-3
Cbl-Connector Retention Force (N):	1000
Climatic Class:	IEC 60068
	55/155/56
Durability (cycles):	500

V. TOOLING

Stripping Tool: 3190-1544/CCT-01

Crimping Tool: N/A

Compatible with Standard: IEC 61169-16

MATL:	UNLESS OTHERWISE SPECIFIED		DFTM.	Joslen	TIMES MICROWAVE SYSTEMS						
	ALL DIMENSIONS ARE IN mm MACHINED SURFACES FINISH 1,6 RMS MAX. REMOVE ALL BURRS 0.15X45° MAX. BREAK MACHINE CORNERS 0.15X45° D MAX. FILLET R. TOLERANCES ON DECIMALS .X ±0.3 .XX ±0.15 ANGLES ±2° FRACTIONS ± N/A		DATE	2015.01.13							
USED ON: O			CHKD	KG	EZ-1200-NMC-PL-2 Type N Male (Plug) Straight Clamp Connector for LMR-1200-LLPL Cable						
			DATE	2015.01.13							
			APPD	TZ							
SCALE: N/A	DWG SIZE A4	DO NOT SCALE DRAWING	CODE IDENT	68999	DATE	2015.01.13	S H T	1 OF 1	3190-6021	R E V	A