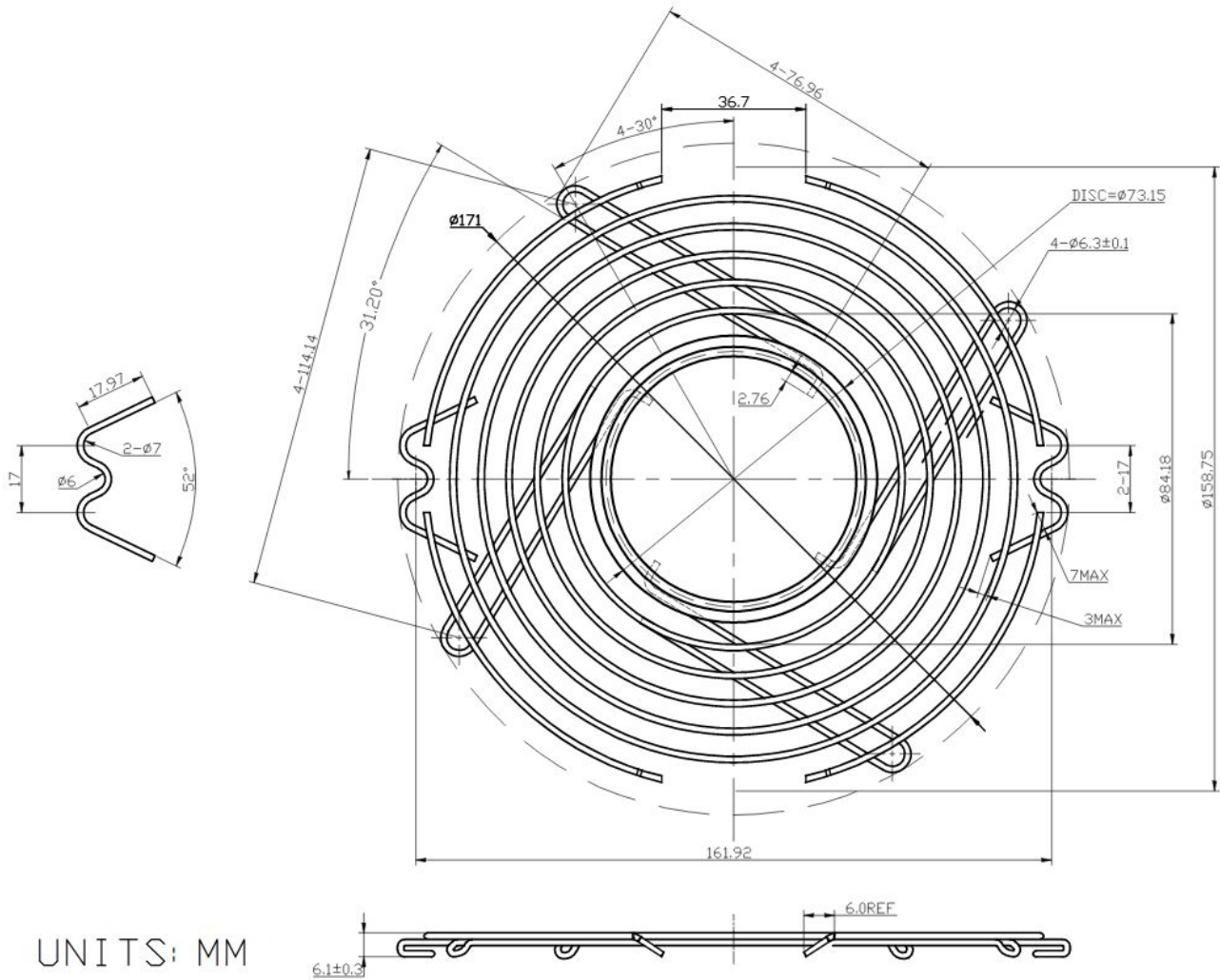


G162-13



Wire Guard
for 162mm-172mm Fans

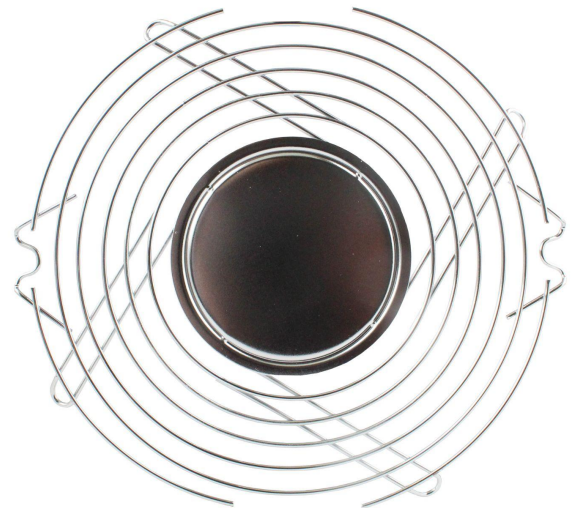


UNITS: MM

Steel wire guards with Zinc plating offer high levels of air passage while providing protection from injury and intake of solid objects. The Zinc plating ensures years of corrosion-free reliability.

The weld joints withstand 50 lbs. of pull force.

The wire guard may be mounted directly onto a fan or to any other housing.



Part Number	Description
G162-13	Fan Wire Guard, Bright Zinc finish
G162-13/PK	10-pack Fan Wire Guards, boxed