

THE INFORMATION CONTAINED HEREIN IS CONSIDERED "PROPRIETARY" TO BEL FUSE, INC. AND SHALL NOT BE COPIED, REPRODUCED OR DISCLOSED WITHOUT THE WRITTEN APPROVAL OF BEL FUSE, INC.

ELECTRICAL CHARACTERISTICS @ 25°C

URNS RATIO

TP1 1CT : 1CT ±2%
 TP2 1CT : 1CT ±2%
 TP3 1CT : 1CT ±2%
 TP4 1CT : 1CT ±2%

DCL @ 100kHz/100mVRMS

8mA DC BIAS
 INS. LOSS 350µH MIN.
 0.1MHz TO 1MHz -1.1 dB MAX
 1MHz TO 65MHz -0.5 dB MAX
 65MHz TO 100MHz -0.8 dB MAX
 100MHz TO 125MHz -1.2 dB MAX

RET. LOSS (MIN)

0.5MHz-40MHz -18 dB
 40MHz-100MHz -12+20LOG(f/80MHz) dB

Cross Talk

Ch1-Ch2, Ch2-Ch3, Ch3-Ch4
 Ch4-Ch1, Ch2-Ch4, Ch3-Ch1
 1MHz - 30MHz -37dB MIN
 30MHz - 80MHz -29dB MIN
 80MHz - 100MHz -28dB MIN

CM TO DM REJ

100kHz - 100MHz -35 dB MIN

HIPDT (Isolation Voltage) 1500 Vrms or 2250VDC

100% OF PRODUCTION TESTED TO COMPLY WITH IEEE 802.3 ISOLATION REQUIREMENTS,

LED 1

VF (FORWARD VOLTAGE) IF=20mA YELLOW 2.1V TYP.
 λD (DOMINANT WAVELENGTH) IF=20mA YELLOW 590nm TYP.

LED 2

VF (FORWARD VOLTAGE) IF=20mA GREEN 2.2V TYP.
 λD (DOMINANT WAVELENGTH) IF=20mA ORANGE 2.0V TYP.
 VF (FORWARD VOLTAGE) IF=20mA GREEN 570nm TYP.
 λD (DOMINANT WAVELENGTH) IF=20mA ORANGE 605nm TYP.

OPERATING TEMPERATURE: 0°C TO +70°C.

ORIGINATED BY

CHOW WANCHUNG

DATE 2018-12-19

DRAWN BY XIE YIMING

DATE 2018-12-19

DC002(2)120214

TITLE

glgabit MagJack®
 (Low Profile, 12 cores)
 L826-1X1T-23-F

PART NO. / DRAWING NO.

L8261X1T23-F

FILE NAME

L8261X1T23-F_D.DWG

STANDARD DIM.

TOL. IN INCH

.X

.XX

.XXX

[] METRIC DIM.

AS REF.

UNIT : INCH [mm]

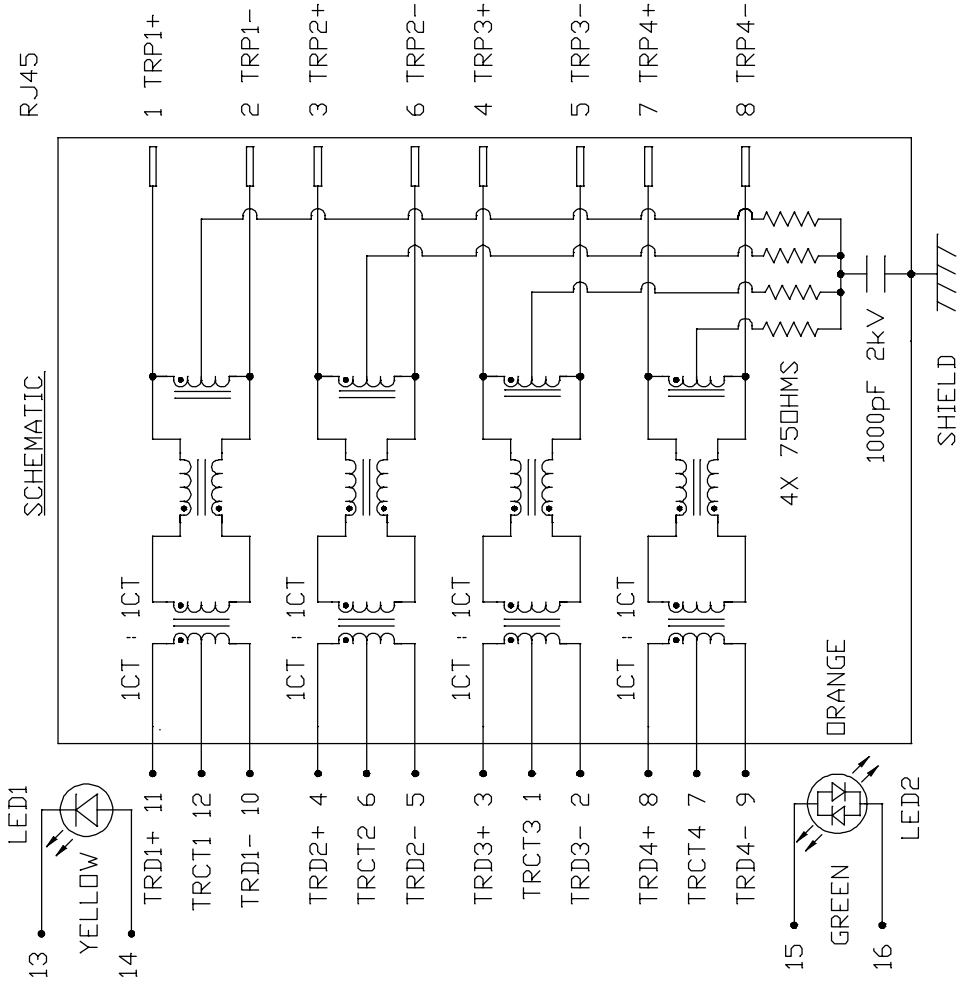
SCALE : N/A

SIZE : A4

RoHS



SCHEMATIC



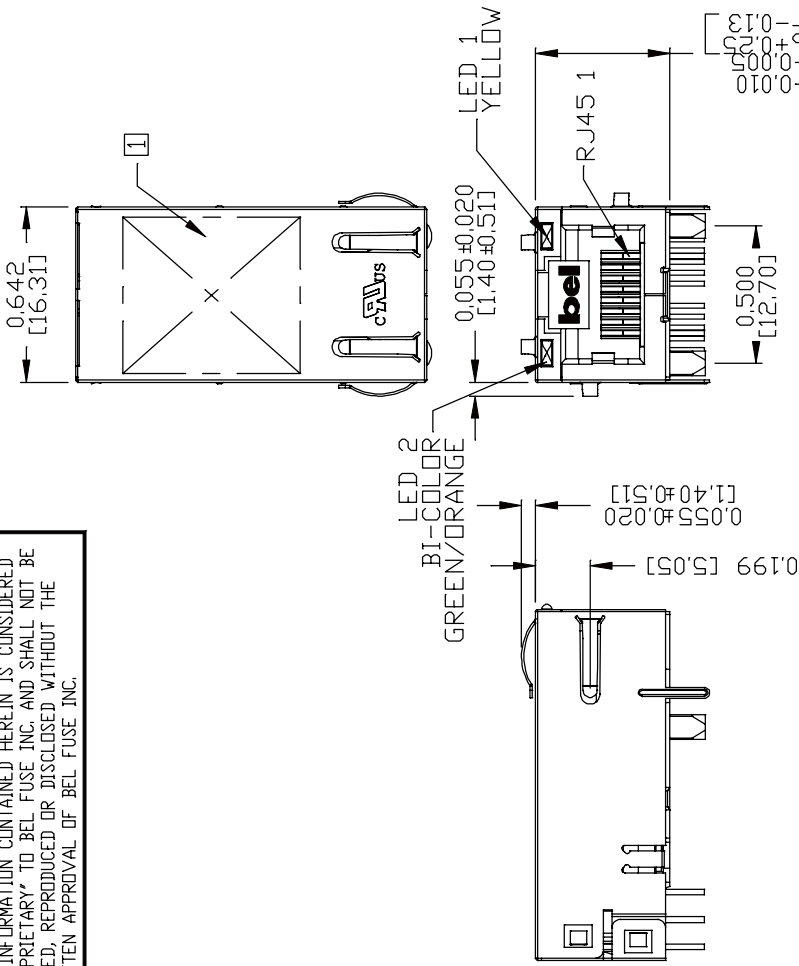
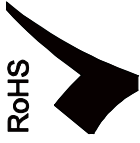
REV. : D PAGE : 2



MAGNETIC SOLUTIONS
 a bel group

This document is electronically generated. This is a controlled copy if used internally

THE INFORMATION CONTAINED HEREIN IS CONSIDERED 'PROPRIETARY' TO BEL FUSE INC. AND SHALL NOT BE COPIED, REPRODUCED OR DISCLOSED WITHOUT THE WRITTEN APPROVAL OF BEL FUSE INC.



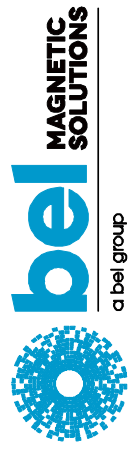
NOTES:

- PLASTIC HOUSING: THERMOPLASTIC PBT, BLACK FLAMMABILITY RATING UL 94V-0
- CONTACTS PLATING: 50 MICRO-INCH HARD GOLD PLATING OR EQUIVALENT
- PINS: TIN-COATED COPPER WIRE, DIA 0.018 INCH, 100 MICRO-INCH MIN MATTE TIN, PINS ARE SOLDER DIPPED.
- METAL SHIELD: NICKEL PLATED ON COPPER ALLOY <ALL GROUND LEADS ARE SOLDER DIPPED>
- [1] MARK PART WITH MFG. LOGO, MFG. NAME, PART NUMBER AND DATE CODE.
- 2. THE PRODUCT IS ROHS COMPLIANT.

- 3. JACK CAVITY CONFORMS TO FCC RULES AND REGULATIONS, **FUSUL** RECOGNIZED - FILE #E196366 AND E169987.
- 4. THE PART IS RECOMMENDED FOR WAVE SOLDERING. THE SUGGESTED PEAK WAVE SOLDERING CONDITION IS 260°C MAX AND 10 SECONDS MAX.

REV. : D PAGE : 3	
STANDARD DIM. [] METRIC DIM. AS REF.	TOL. IN INCH
.X	.XX
.XXX	±0.010
UNIT : INCH [mm]	SCALE : N/A
SIZE : A4	
PART NO. / DRAWING NO.	L8261X1T23-F
FILE NAME	L8261X1T23-F_D.DWG
TITLE	gigabit MagJack® (Low Profile, 12 cores) L826-1X1T-23-F
ORIGINATED BY	ANTON LIAD
DATE	2018-12-19
DRAWN BY	LI QUANKUN
DATE	2018-12-19

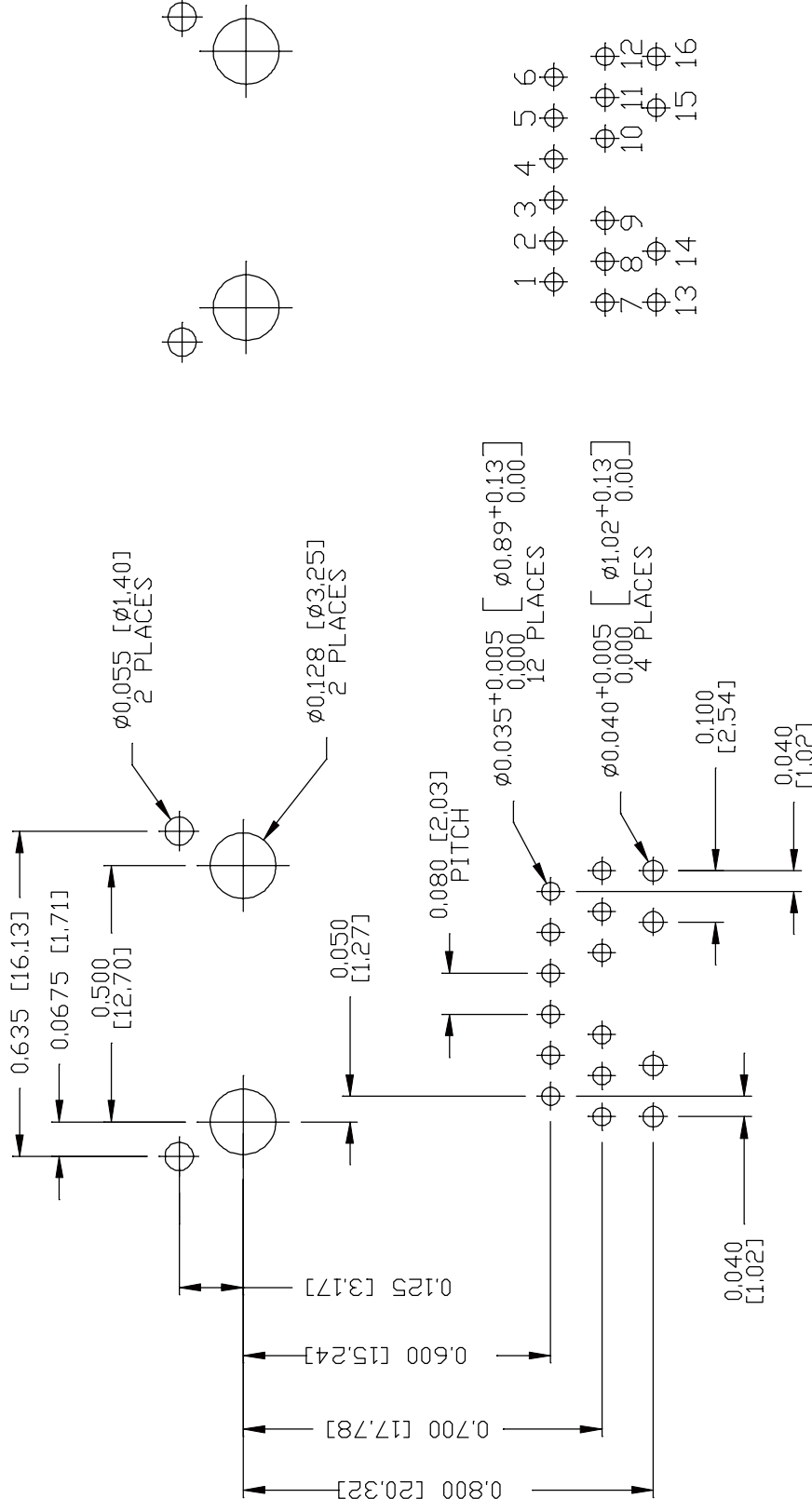
This document is electronically generated. This is a controlled copy if used internally



THE INFORMATION CONTAINED HEREIN IS CONSIDERED "PROPRIETARY" TO BEL FUSE INC. AND SHALL NOT BE COPIED, REPRODUCED OR DISCLOSED WITHOUT THE WRITTEN APPROVAL OF BEL FUSE INC.



RoHS

RECOMMENDED PCB FOOTPRINT
(COMPONENT SIDE VIEW)

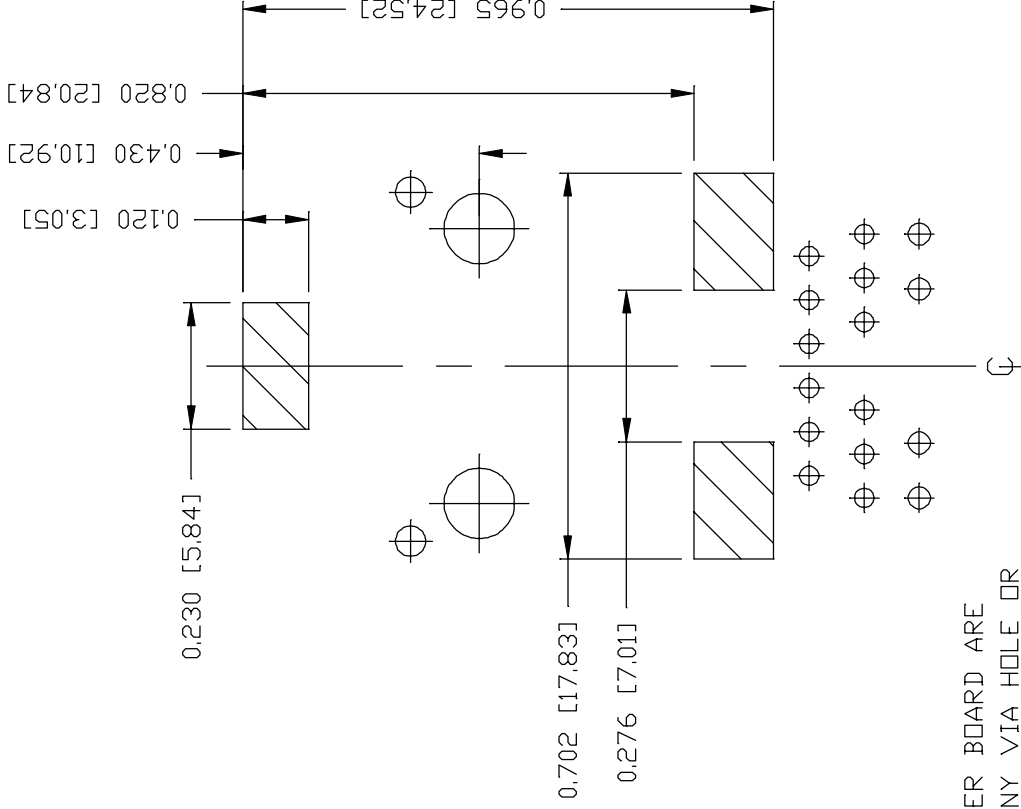


- 1 2 3 4 5 6
- 7 8 9 10 11 12
- 13 14 15 16



ORIGINATED BY ANTON LIAD		PART NO. / DRAWING NO. L8261X1T23-F		STANDARD DIM. TOL. IN INCH		[] METRIC DIM. AS REF.		REV. :	D	PAGE :	4
DATE 2018-12-19		FILE NAME L8261X1T23-F_D.DWG		.X		UNIT : INCH [mm]		  a bel group			
DRAWN BY LI QUANKUN		TITLE gigabit MagJack® (Low Profile, 12 cores) L826-1X1T-23-F		.XX		SCALE : N/A					
DATE 2018-12-19				.XXX		SIZE : A4					
This document is electronically generated. This is a controlled copy if used internally											

THE INFORMATION CONTAINED HEREIN IS CONSIDERED "PROPRIETARY" TO BEL FUSE INC. AND SHALL NOT BE COPIED, REPRODUCED OR DISCLOSED WITHOUT THE WRITTEN APPROVAL OF BEL FUSE INC.



NOTE:
 THE SHADED AREA ON THE CUSTOMER BOARD ARE RECOMMENDED TO BE CLEAR OFF ANY VIA HOLE OR COMPONENT PAD.

ORIGINATED BY
 ANTON LIAD
DATE 2018-12-19
DRAWN BY
 LI GUANKUN
DATE 2018-12-19

TITLE
 9lgabit MagJack®
 (Low Profile, 12 cores)
 L826-1X1T-23-F

PART NO. / DRAWING NO.
 L8261X1T23-F
FILE NAME
 L8261X1T23-F_D.DWG

STANDARD DIM. TOL. IN INCH
 .X
 .XX
 .XXX
 ±0.004
[] METRIC DIM. AS REF.
 UNIT : INCH [mm]
 SCALE : N/A
 SIZE : A4

REV. : D PAGE : 5



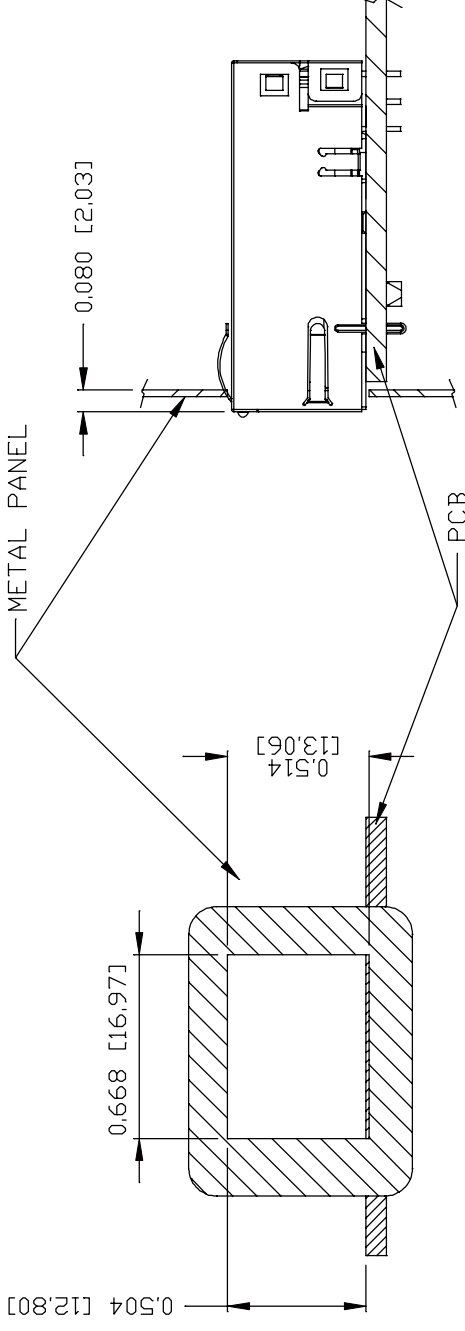
This document is electronically generated. This is a controlled copy if used internally

THE INFORMATION CONTAINED HEREIN IS CONSIDERED "PROPRIETARY" TO BEL FUSE INC. AND SHALL NOT BE COPIED, REPRODUCED OR DISCLOSED WITHOUT THE WRITTEN APPROVAL OF BEL FUSE INC.

RoHS



SUGGESTED PANEL OPENING



NOTE:

THE DISTANCE OF PANEL INSIDE SURFACE RELATIVE TO FRONT SURFACE OF PART IS ONLY A SUGGESTION. IN CASE THIS DISTANCE IS DIFFERENT, THE REQUIRED PANEL OPENING DIMENSIONS CHANGE ACCORDINGLY.

PACKING INFORMATION

PACKING TRAY: 0200-9999-D6 (TOP)
0200-9999-D7 (BOTTOM)

PACKING QUANTITY: 40 PCS FINISHED GOODS PER TRAY
11 TRAYS (440 PCS FINISHED GOODS) PER CARTON BOX

NOTE: CARDBOARDS ARE PLACED BETWEEN LAYERS OF PACKING TRAY INSIDE CARTON BOX
<INCLUDE THE UPPERMOST AND LOWERMOST TRAY>

REV. : D		PAGE : 6	
STANDARD DIM. [] METRIC DIM. AS REF.		UNIT : INCH [mm]	
TOL. IN INCH		SCALE : N/A	
.X		±0.005	SIZE : A4
.XX			
.XXX			
PART NO. / DRAWING NO. L8261X1T23-F		FILE NAME L8261X1T23-F_D.DWG	
TITLE gigabit MagJack® (Low Profile, 12 cores) L826-1X1T-23-F		DRAWN BY LI QUANKUN	
DATE 2018-12-19		DATE 2018-12-19	
ORIGINATED BY ANTON LIAO		DATE 2018-12-19	

This document is electronically generated. This is a controlled copy if used internally

DC002(2)120214

