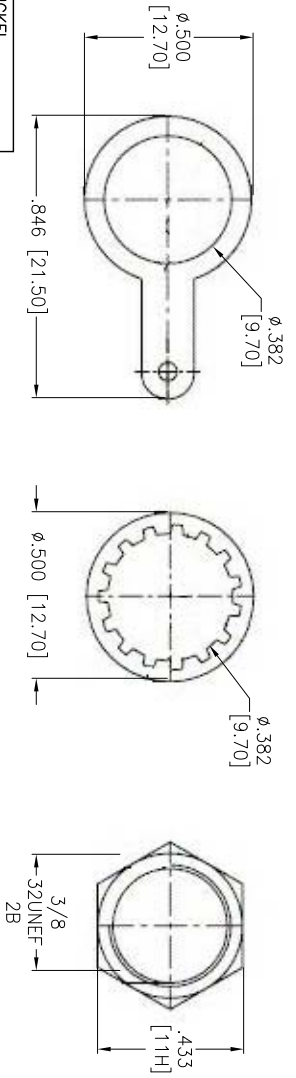
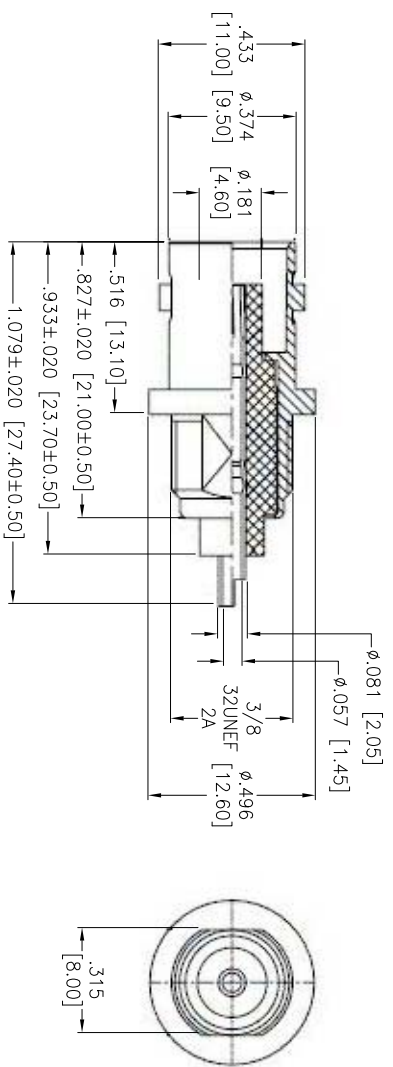


Rev	AWO #	Description	Date	Appr
-		RELEASED	4/9/14	

APPROVED: _____
 DATE: _____ TITLE: _____



NUT	ZINC	NICKEL
WASHER TAIL	BRASS	NICKEL
WASHER	IRON	NICKEL
CENTER CONTACT	PHOSPHOR BRONZE	GOLD
INSULATOR	POM	NATURAL COLOR
BODY	ZINC	NICKEL
DESCRIPTION	MATERIAL	FINISH

SPECIFICATIONS:

Impedance: 50 ohm
 Frequency range: 0-4 GHz
 Working Voltage: 500 VRMS max.
 Dielectric Withstanding Voltage: 1500 VRMS min.
 V.S.W.R: 1.3 max
 Contact Resistance: 3 Milliohms max. (Center Contact)
 2 Milliohms max. (Outer Contact)
 Insulator Resistance: 5000 Megohms min.
 Environmental:
 Lead free, RoHS compliant.



UNLESS OTHERWISE SPECIFIED ALL DIMENSIONS ARE INCHES [MM]	
TOLERANCES: EXCEPT AS NOTED	
INCHES	HOLES
.X ± .10	ØX ± .10
.XX ± .020	ØXX ± .015
.XXX ± .015	ØXXX ± .010
APPROVALS	DATE
DRAWN HR	4/9/14
CHECKED CH	4/9/14
APPROVED	

ADAM TECH
 909 Rahway Avenue, Union, NJ 07083
 Phone: 908-687-5000 Fax: 908-687-5710

TITLE: BNC FEMALE BULKHEAD RECEPTACLE, 50 ohm

SIZE	PART NO.	REV.
X	RF1-106-D-00-50-HDW	-
REF: S00049T	SCALE: NTS	SHEET 1 OF 1