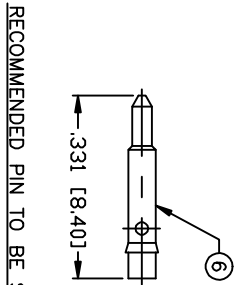
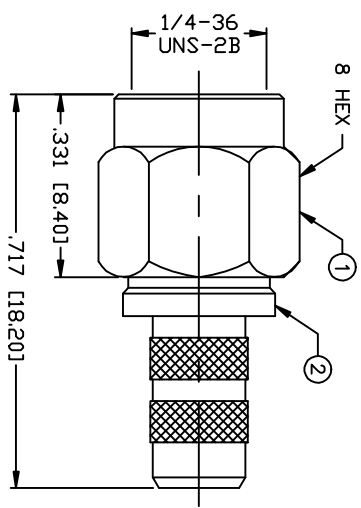
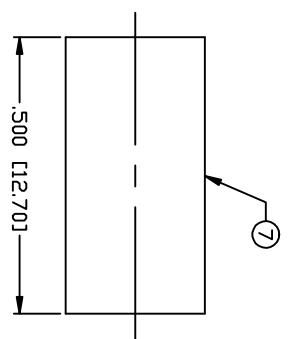


THIS DRAWING CONTAINS INFORMATION PROPRIETARY TO RF INDUSTRIES,
 ANY UNAUTHORIZED USE OF THIS DRAWING IS EXPRESSLY PROHIBITED
 WITHOUT WRITTEN PERMISSION FROM RF INDUSTRIES.
 ANY VIOLATION IS PUNISHABLE UNDER U.S. COPYRIGHT LAWS.

ALL DIMENSIONS ARE REFERENCE ONLY



RECOMMENDED PIN TO BE SOLDERED



RECOMMENDED CRIMP DIE: .213"

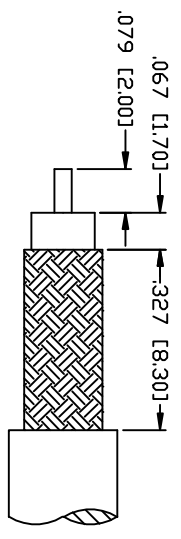
SPECIFICATIONS:

IMPEDANCE: 50 Ohms
 FREQUENCY RANGE: 0-12.4 GHz
 INSERTION LOSS(dB): 0.03 x \sqrt{f} (GHz)
 VSWR: 1.3 MAX.
 WORKING VOLTAGE: 500 V rms Max. @ Sea Level
 INSULATION RESISTANCE: 5k M Ohms min.
 TEMPERATURE RANGE: -65°C TO 165°C
 FOR RG-58, 58A, 58C, 141, 141A, BELDEN 8240,
 8262, 9201, 9203, 9310, 9311 & COMM/SCOPE 0268

#	DESCRIPTION	QTY	MATRL	FINISH	APPROVALS	DATE
1	SHELL	1	BRASS	GOLD, 3μ"		
2	BODY	1	BRASS	GOLD, 3μ"	008974	
3	INSULATOR	1	PTFE	---		
4	RETAINING RING	1	Be-Cu	---		
5	GASKET	1	PTFE	---		
6	PIN	1	Be-Cu	GOLD, 50μ"		
7	FERRULE	1	BRASS	GOLD, 3μ"		
8						
9						
10						
11						
12						
13						
14						

UNLESS OTHERWISE SPECIFIED:
 1. REMOVE ALL BURRS
 2. BREAK ALL CORNERS & EDGES .005 R. MAX.
 3. CHAMFER 1ST & LAST THREADS 45°
 4. SURFACE ROUGHNESS 63 FINISH MIL-SM-10
 5. DIAMETERS ON COMMON CENTERS TO BE CONCENTRIC WITHIN .002 T.I.R.
 6. ALL DIMENSIONS ARE AFTER PLATING.

DIMENSIONS ARE IN INCHES AND [MILLIMETERS]
 UNLESS OTHERWISE NOTED
 TOLERANCES ARE:
 DECIMALS .XXX±.003 [.08]
 .XXX±.005 [.13]
 DIAMETER .XXX±.001 [.03]
 .XXX±.003 [.08]



RECOMMENDED STRIPPING DIMENSIONS

RF Connectors
 DIVISION OF RF INDUSTRIES, LTD.
 7610 MIRAMAR RD
 SAN DIEGO, CA 92126
 (858) 549-6340
 (858) 549-6345 FAX

SMA PLUG, CRIMP

SIZE	CABLE GROUP	DWG NO.	REV
A	C	RSA-3000-1C	B
SCALE:	NTS	CAD FILE	OUTLINE
SHEET	1	OF	1

PART NO.		DESCRIPTION		DWN	DATE	APPROVED
REV						
A	ENGINEERING RELEASE	KMM	8/19/96			R. RICE
B	CHANGE FORMAT, DIMS & DWG # 8665	GGC	2/12/02			JDMc