

MATERIALS AND FINISHES

BODY, COUPLING NUT ZINC ALLOY
PLATED NICKEL

CONTACT (PLUG) BRASS
CONTACT (JACK) PHOSPHOR BRONZE
PLATED GOLD

INSULATOR (PLUG & JACK) POLYPROPYLENE

OUTER CONTACT BRASS
PLATED NICKEL

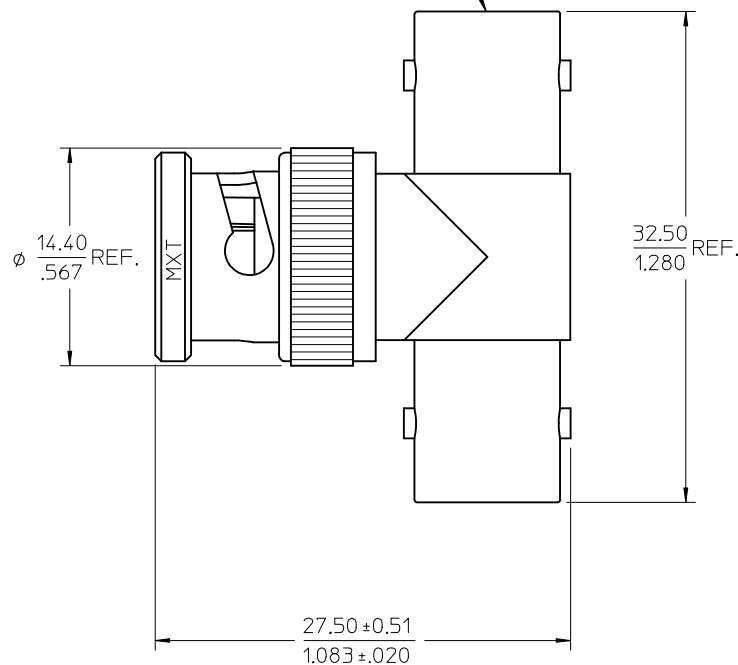
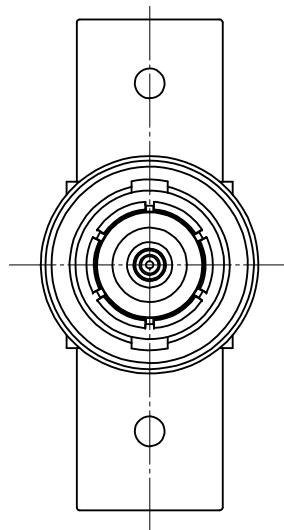
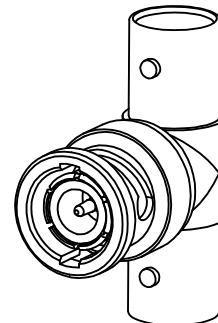
GASKET SILICONE RUBBER

RETAINING RING BRASS
PLATED NICKEL

WASHER BRASS
PLATED NICKEL

SPRING WASHER BERYLLIUM COPPER

CONNECTOR INTERFACE PER
MOLEX ENGINEERING STANDARD
ES-73599-0000 (3 PLACES)



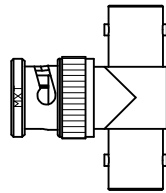
PART # 73148-5003

PS-73598-0016	PRODUCT SPECIFICATION
ES-73599-0000-001	BNC PLUG INTERFACE
ES-73599-0000-000	BNC JACK INTERFACE
SPECIFICATION	DESCRIPTION

ADDED PACKAGING EC NO: URF2007-0510 DRW/NELIN 2007/06/15 CHKD: 2007/06/21 APPR: MHIUANG 2007/06/21	DESCRIPTION REV	QUALITY SYMBOLS ▽=0 ▽=0	GENERAL TOLERANCES (UNLESS SPECIFIED) <table border="1"> <tr> <th></th> <th>mm</th> <th>INCH</th> </tr> <tr> <td>4 PLACES</td> <td>± .005</td> <td>± .0002</td> </tr> <tr> <td>3 PLACES</td> <td>± .005</td> <td>± .0002</td> </tr> <tr> <td>2 PLACES</td> <td>± .005</td> <td>± .0002</td> </tr> <tr> <td>1 PLACE</td> <td>± .005</td> <td>± .0002</td> </tr> </table> ANGULAR ± 2°		mm	INCH	4 PLACES	± .005	± .0002	3 PLACES	± .005	± .0002	2 PLACES	± .005	± .0002	1 PLACE	± .005	± .0002	DIMENSION STYLE MM/IN	SCALE DESIGN UNITS METRIC	THIRD ANGLE PROJECTION
			mm	INCH																	
		4 PLACES	± .005	± .0002																	
		3 PLACES	± .005	± .0002																	
2 PLACES	± .005	± .0002																			
1 PLACE	± .005	± .0002																			
DRAFT WHERE APPLICABLE MUST REMAIN WITHIN DIMENSIONS			DRAWN BY IRIS	DATE 1991/01/21	TITLE 50 OHM BNC TEE ADAPTOR (J-P-J) BNC-ADP/JPJ																
D1			MATERIAL NO. 731485003	CHECKED BY --	DATE 1991/01/21	MOLEX INCORPORATED															
SIZE C			APPROVED BY --		DATE 1991/01/21	DOCUMENT NO. SD-73148-5003															

SHEET NO.
1 OF 2

THIS DRAWING CONTAINS INFORMATION THAT IS PROPRIETARY TO MOLEX INCORPORATED AND SHOULD NOT BE USED WITHOUT WRITTEN PERMISSION



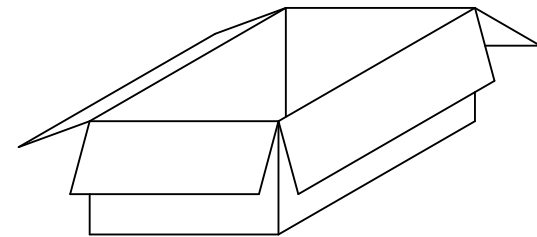
PART NO. 73148-5003

90 mm REF. × 102 mm REF.



1 SET PER BAG
(WITH MOLEX LOGO AND PART NO.)

50 SET PER BAG



500 SET PER CARTON BOX

SEE SHEET 1 EC NO: URF2007-0510 2007/06/15 DRWNLIN CHKD: 2007/06/21 APPR: MHIUANG 2007/06/21 REV D1	QUALITY SYMBOLS =0 =0	GENERAL TOLERANCES (UNLESS SPECIFIED) <table border="1"> <thead> <tr> <th></th> <th>mm</th> <th>INCH</th> </tr> </thead> <tbody> <tr> <td>4 PLACES</td> <td>± ---</td> <td>± ---</td> </tr> <tr> <td>3 PLACES</td> <td>± ---</td> <td>± ---</td> </tr> <tr> <td>2 PLACES</td> <td>± ---</td> <td>± ---</td> </tr> <tr> <td>1 PLACE</td> <td>± ---</td> <td>± ---</td> </tr> </tbody> </table>		mm	INCH	4 PLACES	± ---	± ---	3 PLACES	± ---	± ---	2 PLACES	± ---	± ---	1 PLACE	± ---	± ---	DIMENSION STYLE MM/IN	SCALE METRIC	DESIGN UNITS METRIC	THIRD ANGLE PROJECTION
		mm	INCH																		
	4 PLACES	± ---	± ---																		
	3 PLACES	± ---	± ---																		
2 PLACES	± ---	± ---																			
1 PLACE	± ---	± ---																			
DRAFT WHERE APPLICABLE MUST REMAIN WITHIN DIMENSIONS		DRAWN BY IRIS	DATE 1991/01/21	TITLE 50 OHM BNC TEE ADAPTOR (J-P-J) BNC-ADP/JPJ																	
		CHECKED BY --	DATE 1991/01/21	MOLEX MOLEX INCORPORATED																	
		APPROVED BY --	DATE 1991/01/21	MATERIAL NO. SEE SHEET 1	DOCUMENT NO. SD-73148-5003	SHEET NO. 2 OF 2															
THIS DRAWING CONTAINS INFORMATION THAT IS PROPRIETARY TO MOLEX INCORPORATED AND SHOULD NOT BE USED WITHOUT WRITTEN PERMISSION																					