

|   |    |                        |   |   |  |        |  |                 |  |                |  |              |  |
|---|----|------------------------|---|---|--|--------|--|-----------------|--|----------------|--|--------------|--|
| THIS DRAWING CONTAINS INFORMATION THAT IS PROPRIETARY TO MOLEX ELECTRONIC TECHNOLOGIES, LLC AND SHOULD NOT BE USED WITHOUT WRITTEN PERMISSION |    |                        |   |   |  |        |  |                 |  |                |  |              |  |
| DIMENSION UNITS   |    | SCALE                  |   | CURRENT REV DESC: RETRACTION  |  |        |  |                 |  |                |  |              |  |
| mm  |    | 3:1                    |   | <p>EC NO: 670789</p> <p>DRWN: SUGEEB 2021/07/19</p> <p>CHK'D: GGA 2021/07/27</p> <p>APPR: GGA 2021/07/27</p> <p>INITIAL REVISION:</p> <p>DRWN: BPISZCZOR 2007/02/28</p> <p>APPR: CBIXLER 2007/02/28</p> |  |        |  |                 |  |                |  |              |  |
| GENERAL TOLERANCES (UNLESS SPECIFIED)   |    |                        |   |   |  |        |  |                 |  |                |  |              |  |
|   | MM | INCH                   |   |   |  |        |  |                 |  |                |  |              |  |
| 4 PLACES  | ±  |                        | ± |   |  |        |  |                 |  |                |  |              |  |
| 3 PLACES  | ±  |                        | ± |   |  |        |  |                 |  |                |  |              |  |
| 2 PLACES  | ±  | 0.13                   | ± |   |  |        |  |                 |  |                |  |              |  |
| 1 PLACE   | ±  | 0.25                   | ± |   |  |        |  |                 |  |                |  |              |  |
| 0 PLACES  | ±  |                        | ± |   |  |        |  |                 |  |                |  |              |  |
| ANGULAR TOL   |    | ± 0.5 °                |   | <p>DOCUMENT NUMBER: SD-76035-002</p> <p>DOC TYPE: PSD</p> <p>DOC PART: 001</p> <p>REVISION: G</p>   |  |        |  |                 |  |                |  |              |  |
| DRAFT WHERE APPLICABLE MUST REMAIN WITHIN DIMENSIONS  |    | THIRD ANGLE PROJECTION |   | DRAWING   |  | SERIES |  | MATERIAL NUMBER |  | CUSTOMER       |  | SHEET NUMBER |  |
|   |    |                        |   | C-SIZE  |  | 76035  |  | SEE TABLE       |  | GENERAL MARKET |  | 1 OF 4       |  |

|                 |    |              |            |          |
|-----------------|----|--------------|------------|----------|
| DOCUMENT STATUS | P1 | RELEASE DATE | 2021/07/27 | 05:09:13 |
|-----------------|----|--------------|------------|----------|

# 76035-\*\*\*\*

## MODULE TYPE -- TAIL PLATING TYPE

- GUIDE LEFT -- MATTE TIN (FORMERLY TIN/LEAD) = 2
- GUIDE LEFT -- MATTE TIN = 3
- GUIDE LEFT W/END WALL -- MATTE TIN (FORMERLY TIN/LEAD) = 6
- GUIDE LEFT W/END WALL -- MATTE TIN = 7

## # OF COLUMNS

- 8 = 8 COL
- 9 = 9 COL
- 1 = 10 COL

## KEY ORIENTATION

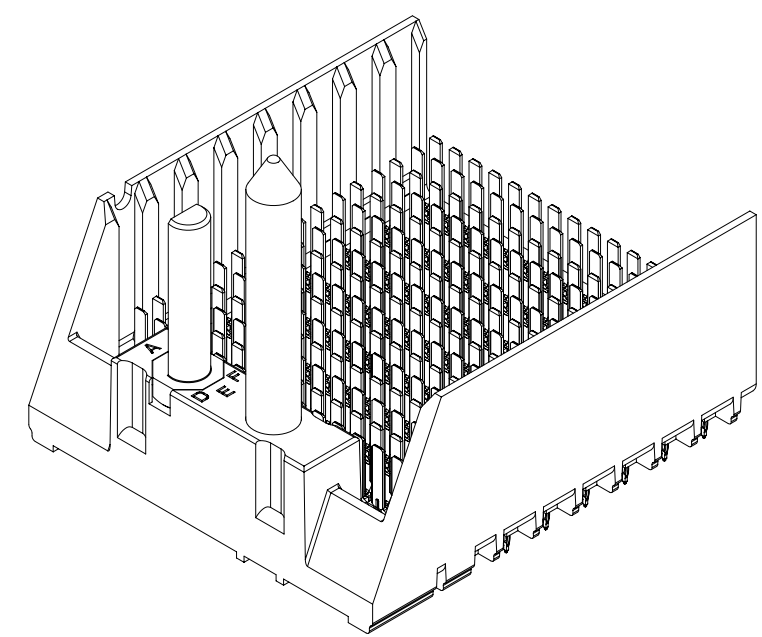
- 0 = NO KEY
- 1 = A
- 2 = B
- 3 = C
- 4 = D
- 5 = E
- 6 = F
- 7 = G
- 8 = H

## PIN LENGTH (P)

- 2 = 3.90 - 30 GOLD
- 3 = 4.70 - 30 GOLD
- 4 = 5.70 - 30 GOLD
- 5 = 4.70 & 5.70 - 30 GOLD STAGGERED
- 6 = 3.90 - 10 GOLD
- 7 = 4.70 - 10 GOLD
- 8 = 5.70 - 10 GOLD
- 9 = 4.70 & 5.70 - 10 GOLD STAGGERED

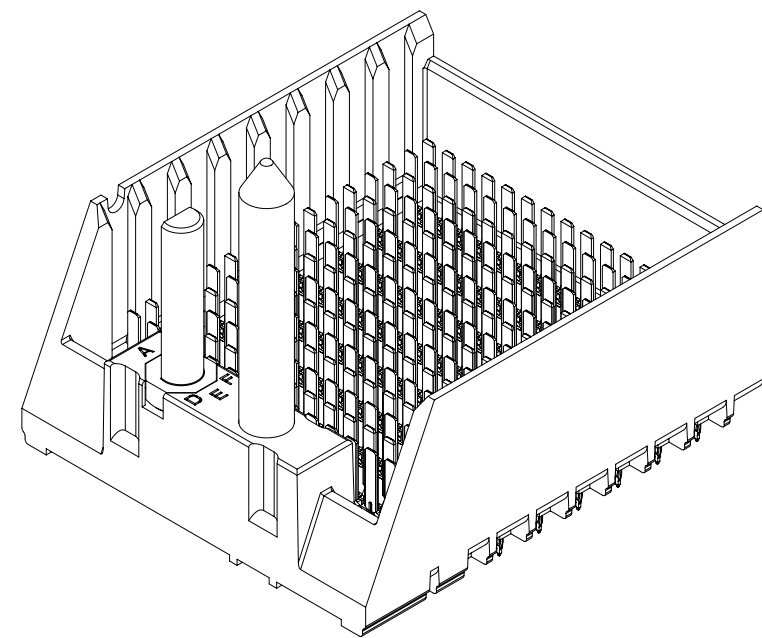
| MATERIAL NUMBER | # OF COLUMNS | DIM "A" | DIM "B" |
|-----------------|--------------|---------|---------|
| 76035-28**      | 8            | 35.9    | 25.90   |
| 76035-29**      | 9            | 39.6    | 29.60   |
| 76035-21**      | 10           | 43.3    | 33.30   |
| 76035-38**      | 8            | 35.9    | 25.90   |
| 76035-39**      | 9            | 39.6    | 29.60   |
| 76035-31**      | 10           | 43.3    | 33.30   |

GUIDE LEFT STYLE



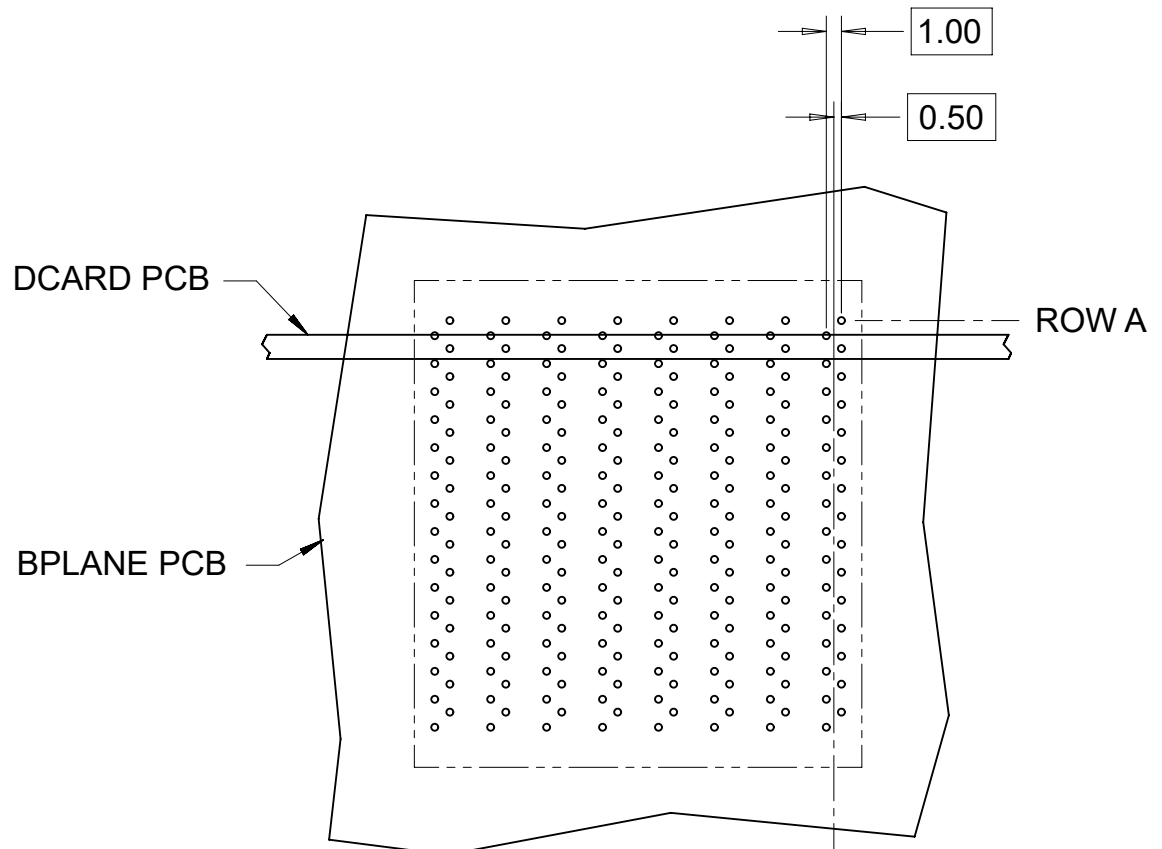
| MATERIAL NUMBER | # OF COLUMNS | DIM "A" | DIM "B" |
|-----------------|--------------|---------|---------|
| 76035-68**      | 8            | 37.2    | 25.90   |
| 76035-69**      | 9            | 40.9    | 29.60   |
| 76035-61**      | 10           | 44.6    | 33.30   |
| 76035-78**      | 8            | 37.2    | 25.90   |
| 76035-79**      | 9            | 40.9    | 29.60   |
| 76035-71**      | 10           | 44.6    | 33.30   |

GUIDE LEFT W/END WALL STYLE



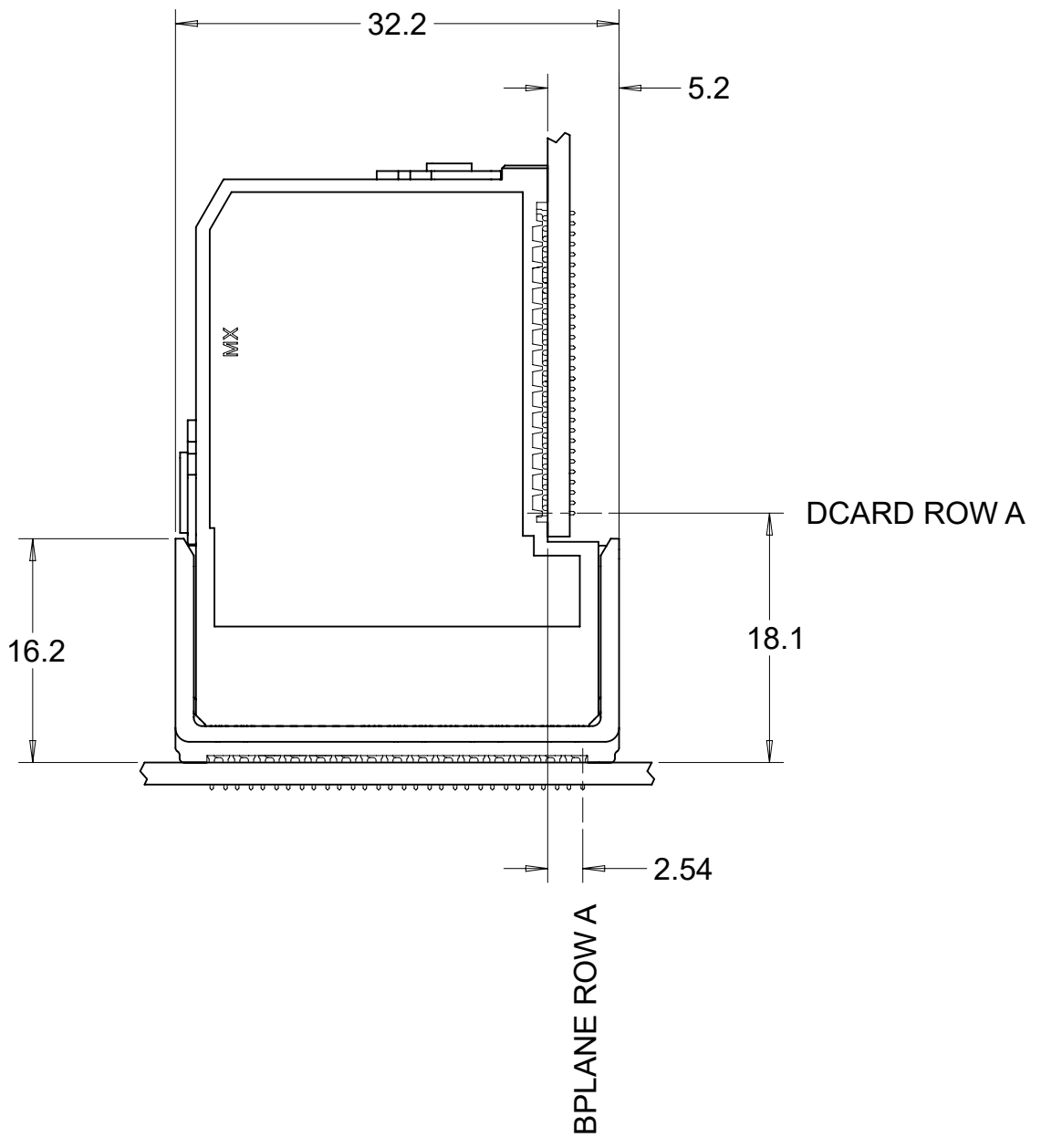
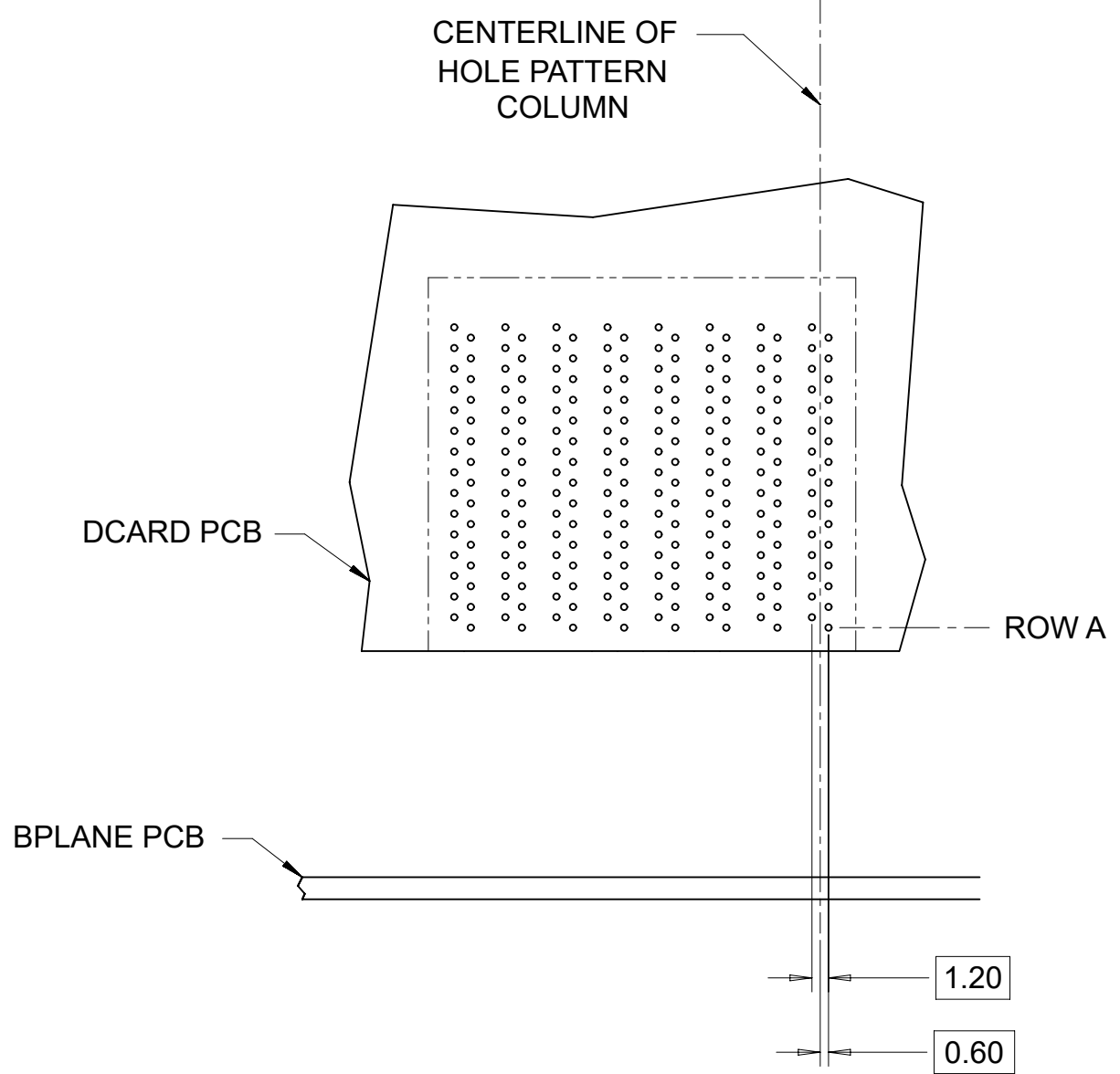
THIS DRAWING CONTAINS INFORMATION THAT IS PROPRIETARY TO MOLEX ELECTRONIC TECHNOLOGIES, LLC AND SHOULD NOT BE USED WITHOUT WRITTEN PERMISSION

|  |  |                        |  |                                       |  |   |  |  |  |
|--|--|------------------------|--|---------------------------------------|--|---|--|--|--|
| DIMENSION UNITS<br><b>mm</b>                         |  | SCALE<br><b>4:1</b>    |  | CURRENT REV DESC: RETRACTION          |  |   |  |  |  |
| GENERAL TOLERANCES (UNLESS SPECIFIED)                |  |                        |  | EC NO: 670789                         |  |   |  |  |  |
| 4 PLACES ±   |  | ±                      |  | DRWN: SUGEEB 2021/07/19               |  | PRODUCT CUSTOMER DRAWING                  |  |  |  |
| 3 PLACES ±   |  | ±                      |  | CHK'D: GGA 2021/07/27                 |  | DOCUMENT NUMBER                           |  |  |  |
| 2 PLACES ± 0.13                                      |  | ±                      |  | APPR: GGA 2021/07/27                  |  | SD-76035-002                              |  |  |  |
| 1 PLACE ± 0.25                                       |  | ±                      |  | INITIAL REVISION:                     |  | DOC TYPE   DOC PART   REVISION            |  |  |  |
| 0 PLACES ±   |  | ±                      |  | DRWN: BPISZCZOR 2007/02/28            |  | PSD 001 G                                 |  |  |  |
| ANGULAR TOL ± 0.5 °                                  |  | ±                      |  | APPR: CBIXLER 2007/02/28              |  | MATERIAL NUMBER   CUSTOMER   SHEET NUMBER |  |  |  |
| DRAFT WHERE APPLICABLE MUST REMAIN WITHIN DIMENSIONS |  | THIRD ANGLE PROJECTION |  | DRAWING SERIES<br><b>C-SIZE 76035</b> |  | SEE TABLE   GENERAL MARKET   2 OF 4       |  |  |  |



**15 ROW I-TRAC  
BOARD RELATIONSHIPS**

SCALE 2:1

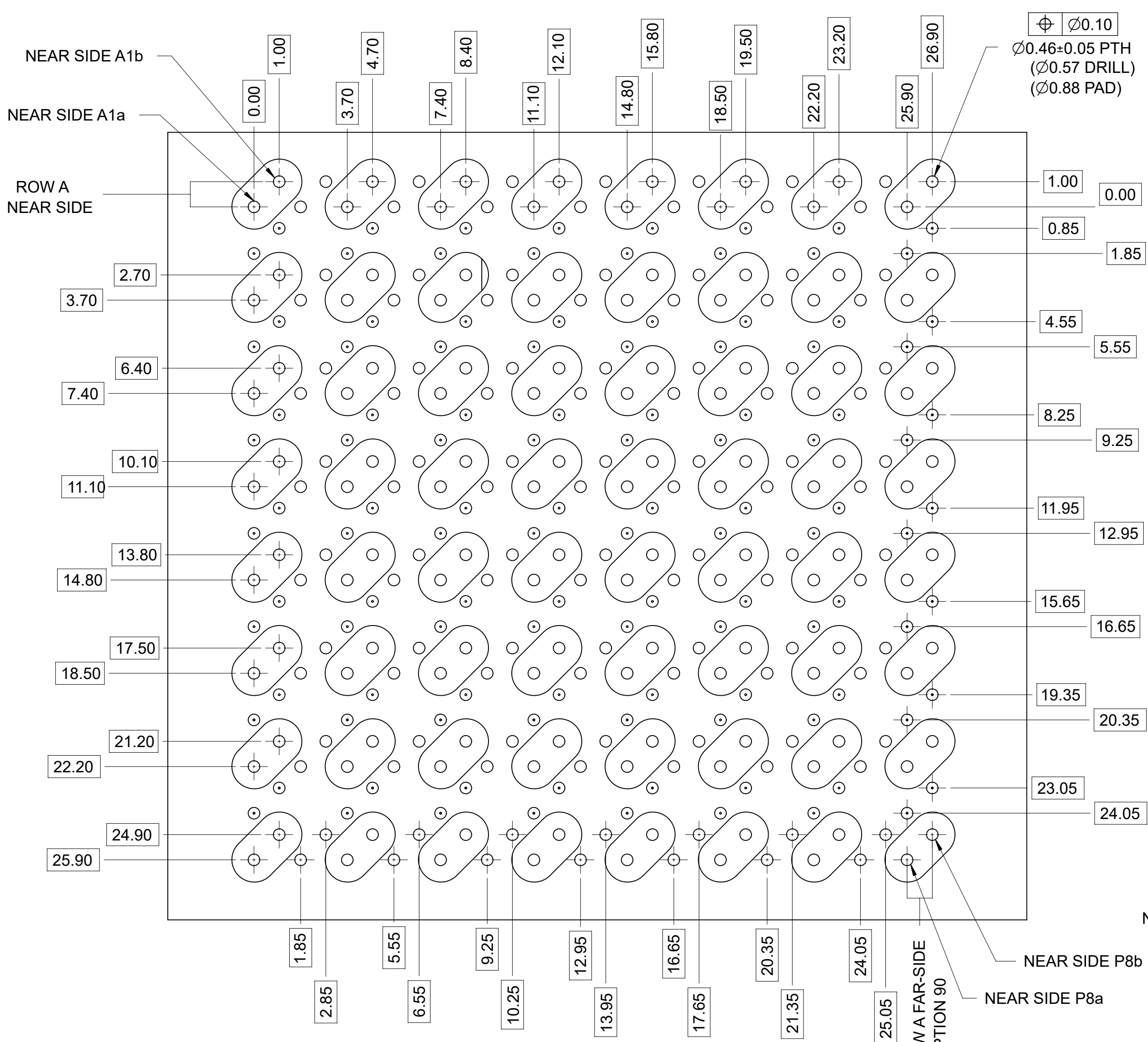


**NOTES:**

1. MATERIALS: HOUSING - LIQUID CRYSTAL POLYMER (LCP)  
GLASS-FILLED, UL94V-0  
TERMINALS - HIGH PERFORMANCE COPPER ALLOY
2. FINISH: 10 MICROINCH MIN. GOLD (MAPS) OR 30 MICROINCH MIN. GOLD  
IN CONTACT AREA. SELECTIVE MATTE TIN ON PCB TAILS,  
NICKEL OVERALL.
3. REFER TO MOLEX PRODUCT SPECIFICATION PS-75710-999  
FOR PERFORMANCE SPECIFICATIONS.
4. FOR MIXED CONTACT MATING LENGTHS, CONSULT MOLEX  
FOR AVAILABILITY.
5. THIS PART CONFORMS TO CLASS B REQUIREMENTS OF  
MOLEX COSMETIC SPEC PS-45499-002.
6. PACKAGE PER: PK-70873-586.
7. GUIDED PARTS TO BE SHIPPED WITH 2-56 UNC B SCREW P/N 73774-1000.
8. FOR GROUNDED GUIDE PINS USE DIA 3.56+/-0.08 (PTH),  
DIA 3.66(DRILL), AND DIA 6.5 (PAD).
9. REFER TO PCB ROUTING GUIDE FOR ANTIPAD AND ROUTING RECOMMENDATIONS.
10. MAPS (MOLEX ADVANCED PLATING SYSTEM).

THIS DRAWING CONTAINS INFORMATION THAT IS PROPRIETARY TO MOLEX ELECTRONIC TECHNOLOGIES, LLC AND SHOULD NOT BE USED WITHOUT WRITTEN PERMISSION

|  |   |         |      |                              |  |               |        |   |  |   |  |              |  |
|--|---|---------|------|------------------------------|--|---------------|--------|---|--|---|--|--------------|--|
| DIMENSION UNITS  |   | SCALE   |      | CURRENT REV DESC: RETRACTION |  |               |        | <b>molex</b>  |  |   |  |              |  |
| mm   |   | 4:1     |      |                              |  |               |        |   |  |   |  |              |  |
| GENERAL TOLERANCES (UNLESS SPECIFIED)                      |   |         |      |                              |  | EC NO: 670789 |        |   |  | I-TRAC 15 ROW BP<br>GUIDE LEFT ASSEMBLY SALES DRAWING |  |              |  |
|  |   | MM      | INCH |                              |  |               |        |   |  |   |  |              |  |
| 4 PLACES   | ± |         | ±    | DRWN: SUGEEB 2021/07/19      |  |               |        | PRODUCT CUSTOMER DRAWING  |  |   |  |              |  |
| 3 PLACES   | ± |         | ±    | CHK'D: GGA 2021/07/27        |  |               |        |   |  |   |  |              |  |
| 2 PLACES   | ± | 0.13    | ±    | APPR: GGA 2021/07/27         |  |               |        | DOCUMENT NUMBER: <b>SD-76035-002</b><br>DOC TYPE: PSD DOC PART: 001 REVISION: G |  |   |  |              |  |
| 1 PLACE  | ± | 0.25    | ±    | INITIAL REVISION:            |  |               |        |   |  |   |  |              |  |
| 0 PLACES   | ± |         | ±    | DRWN: BPISZCZOR 2007/02/28   |  |               |        | MATERIAL NUMBER: SEE TABLE<br>CUSTOMER: GENERAL MARKET<br>SHEET NUMBER: 3 OF 4  |  |   |  |              |  |
| ANGULAR TOL  |   | ± 0.5 ° |      | APPR: CBIXLER 2007/02/28     |  |               |        |   |  |   |  |              |  |
| DRAFT WHERE APPLICABLE<br>MUST REMAIN<br>WITHIN DIMENSIONS |   |         |      | THIRD ANGLE PROJECTION       |  | DRAWING       | SERIES | MATERIAL NUMBER   |  | CUSTOMER  |  | SHEET NUMBER |  |
|  |   |         |      |                              |  | C-SIZE        | 76035  | SEE TABLE   |  | GENERAL MARKET  |  | 3 OF 4       |  |



Orthogonal PCB Layout

- NOTES:
- SIGNAL PAIRS (SHARED VIAS)
  - NEAR SIDE GROUNDS
  - FAR SIDE GROUNDS

### ORTHO PIN MAPPING

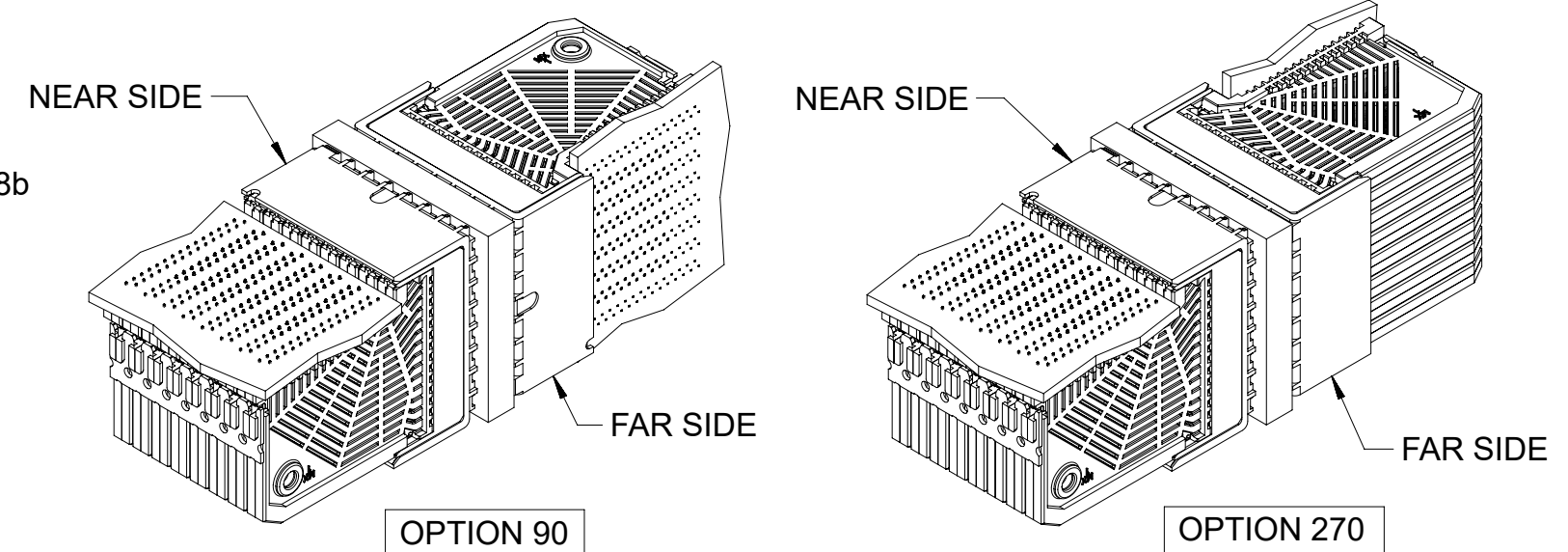
OPTION 90 (NEAR SIDE - FAR SIDE)

|         |         |         |         |         |         |         |         |
|---------|---------|---------|---------|---------|---------|---------|---------|
| A1b-P8b | A2b-N8b | A3b-L8b | A4b-J8b | A5b-G8b | A6b-E8b | A7b-C8b | A8b-A8b |
| A1a-P8a | A2a-N8a | A3a-L8a | A4a-J8a | A5a-G8a | A6a-E8a | A7a-C8a | A8a-A8a |
| C1b-P7b | C2b-N7b | C3b-L7b | C4b-J7b | C5b-G7b | C6b-E7b | C7b-C7b | C8b-A7b |
| C1a-P7a | C2a-N7a | C3a-L7a | C4a-J7a | C5a-G7a | C6a-E7a | C7a-C7a | C8a-A7a |
| E1b-P6b | E2b-N6b | E3b-L6b | E4b-J6b | E5b-G6b | E6b-E6b | E7b-C6b | E8b-A6b |
| E1a-P6a | E2a-N6a | E3a-L6a | E4a-J6a | E5a-G6a | E6a-E6a | E7a-C6a | E8a-A6a |
| G1b-P5b | G2b-N5b | G3b-L5b | G4b-J5b | G5b-G5b | G6b-E5b | G7b-C5b | G8b-A5b |
| G1a-P5a | G2a-N5a | G3a-L5a | G4a-J5a | G5a-G5a | G6a-E5a | G7a-C5a | G8a-A5a |
| J1b-P4b | J2b-N4b | J3b-L4b | J4b-J4b | J5b-G4b | J6b-E4b | J7b-C4a | J8b-A4b |
| J1a-P4a | J2a-N4a | J3a-L4a | J4a-J4a | J5a-G4a | J6a-E4a | J7a-C4a | J8a-A4a |
| L1b-P3b | L2b-N3b | L3b-L3b | L4b-J3b | L5b-G3b | L6b-E3b | L7b-C3b | L8b-A3b |
| L1a-P3a | L2a-N3a | L3a-L3a | L4a-J3a | L5a-G3a | L6a-E3a | L7a-C3a | L8a-A3a |
| N1b-P2b | N2b-N2b | N3b-L2b | N4b-J2b | N5b-G2b | N6b-E2b | N7b-C2b | N8b-A2b |
| N1a-P2a | N2a-N2a | N3a-L2a | N4a-J2a | N5a-G2a | N6a-E2a | N7a-C2a | N8a-A2a |
| P1b-P1b | P2b-N1b | P3b-L1b | P4b-J1b | P5b-G1b | P6b-E1b | P7b-C1b | P8b-A1b |
| P1a-P1a | P2a-N1a | P3a-L1a | P4a-J1a | P5a-G1a | P6a-E1a | P7a-C1a | P8a-A1a |

### ORTHO PIN MAPPING

OPTION 270 (NEAR SIDE - FAR SIDE)

|         |         |         |         |         |         |         |         |
|---------|---------|---------|---------|---------|---------|---------|---------|
| A1b-A1a | A2b-C1a | A3b-E1a | A4b-G1a | A5b-J1a | A6b-L1a | A7b-N1a | A8b-P1a |
| A1a-A1b | A2a-C1b | A3a-E1b | A4a-G1b | A5a-J1b | A6a-L1b | A7a-N1b | A8a-P1b |
| C1b-A2a | C2b-C2a | C3b-E2a | C4b-G2a | C5b-J2a | C6b-L2a | C7b-N2a | C8b-P2a |
| C1a-A2b | C2a-C2b | C3a-E2b | C4a-G2b | C5a-J2b | C6a-L2b | C7a-N2b | C8a-P2b |
| E1b-A3a | E2b-C3a | E3b-E3a | E4b-G3a | E5b-J3a | E6b-L3a | E7b-N3a | E8b-P3a |
| E1a-A3b | E2a-C3b | E3a-E3b | E4a-G3b | E5a-J3b | E6a-L3b | E7a-N3b | E8a-P3b |
| G1b-A4a | G2b-C4a | G3b-E4a | G4b-G4a | G5b-J4a | G6b-L4a | G7b-N4a | G8b-P4a |
| G1a-A4b | G2a-C4b | G3a-E4b | G4a-G4b | G5a-J4b | G6a-L4b | G7a-N4b | G8a-P4b |
| J1b-A5a | J2b-C5a | J3b-E5a | J4b-G5a | J5b-J5a | J6b-L5a | J7b-N5a | J8b-P5a |
| J1a-A5b | J2a-C5b | J3a-E5b | J4a-G5b | J5a-J5b | J6a-L5b | J7a-N5b | J8a-P5b |
| L1b-A6a | L2b-C6a | L3b-E6a | L4b-G6a | L5b-J6a | L6b-L6a | L7b-N6a | L8b-P6a |
| L1a-A6b | L2a-C6b | L3a-E6b | L4a-G6b | L5a-J6b | L6a-L6b | L7a-N6b | L8a-P6b |
| N1b-A7a | N2b-C7a | N3b-E7a | N4b-G7a | N5b-J7a | N6b-L7a | N7b-N7a | N8b-P7a |
| N1a-A7b | N2a-C7b | N3a-E7b | N4a-G7b | N5a-J7b | N6a-L7b | N7a-N7b | N8a-P7b |
| P1b-A8a | P2b-C8a | P3b-E8a | P4b-G8a | P5b-J8a | P6b-L8a | P7b-N8a | P8b-P8a |
| P1a-A8b | P2a-C8b | P3a-E8b | P4a-G8b | P5a-J8b | P6a-L8b | P7a-N8b | P8a-P8b |



THIS DRAWING CONTAINS INFORMATION THAT IS PROPRIETARY TO MOLEX ELECTRONIC TECHNOLOGIES, LLC AND SHOULD NOT BE USED WITHOUT WRITTEN PERMISSION

|  |                |                              |                |
|--|----------------|------------------------------|----------------|
| DIMENSION UNITS                                      | SCALE          | CURRENT REV DESC: RETRACTION |                |
| mm   | 4:1            |                              |                |
| GENERAL TOLERANCES (UNLESS SPECIFIED)                |                |                              |                |
|  | MM             | INCH                         |                |
| 4 PLACES   | ±              | ±                            |                |
| 3 PLACES   | ±              | ±                            |                |
| 2 PLACES   | ± 0.13         | ±                            |                |
| 1 PLACE  | ± 0.25         | ±                            |                |
| 0 PLACES   | ±              | ±                            |                |
| ANGULAR TOL  | ± 0.5°         |                              |                |
| DRAFT WHERE APPLICABLE MUST REMAIN WITHIN DIMENSIONS |                | THIRD ANGLE PROJECTION       | DRAWING SERIES |
|  |                |                              | C-SIZE 76035   |
|  |                | EC NO: 670789                | 2021/07/19     |
|  |                | DRWN: SUGEEB                 | 2021/07/27     |
|  |                | CHK'D: GGA                   | 2021/07/27     |
|  |                | APPR: GGA                    | 2021/07/27     |
|  |                | INITIAL REVISION:            |                |
|  |                | DRWN: BPISZCZOR              | 2007/02/28     |
|  |                | APPR: CBIXLER                | 2007/02/28     |
| DOCUMENT NUMBER                                      | DOC TYPE       | DOC PART                     | REVISION       |
| SD-76035-002   | PSD            | 001                          | G              |
| MATERIAL NUMBER                                      | CUSTOMER       | SHEET NUMBER                 |                |
| SEE TABLE  | GENERAL MARKET | 4 OF 4                       |                |