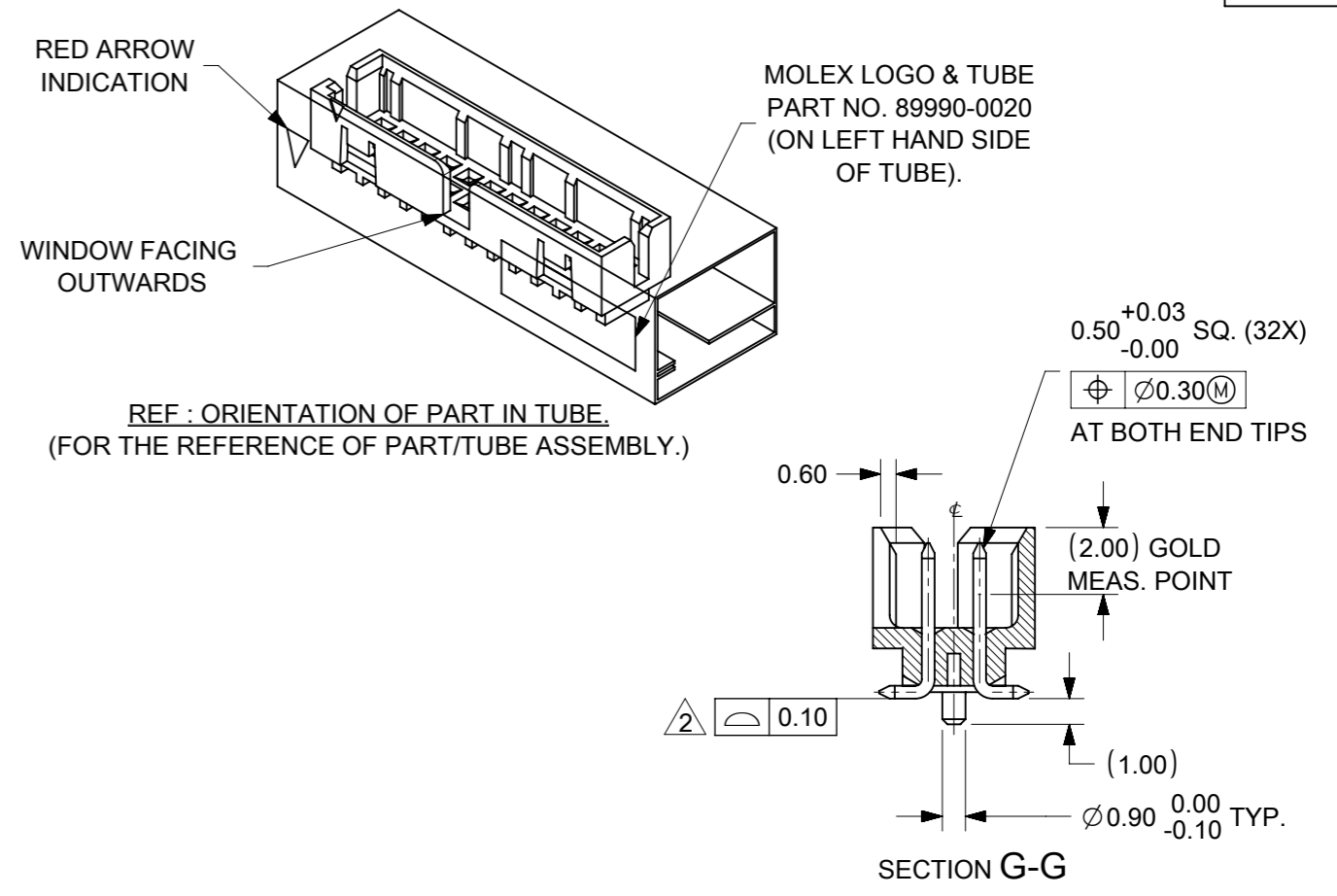


RECOMMENDED PCB PATTERN



REF : ORIENTATION OF PART IN TUBE.  
(FOR THE REFERENCE OF PART/TUBE ASSEMBLY.)

- NOTES:
- MATERIAL:  
HSG: 30% G.F. UL94V-0, NYLON 46, COLOR BLACK.  
PIN: 0.50mm SQ. PHOSPHOR BRONZE.
  - COPLANARITY IS TO BE MEASURED BY RESTING THE SOLDER TAIL ON A FLAT GAUGE SURFACE.
  - FINISH:  
0.38µm / 15µin MIN. GOLD IN CONTACT AREA AND  
1.88µm / 75µin MIN. TIN IN SOLDER TAIL AREA OVER  
1.27µm / 50µin MIN. NICKEL OVERALL.
  - PIN PUSHOUT FORCE: 0.91kg MIN. IN EITHER DIRECTION.
  - THIS HEADER MATES MOLEX:
    - CRIMP RECEPTACLE HOUSING, 51110 SERIES WITH CRIMP TERMINAL, 50394 SERIES.
    - 2mm MILLIGRID DUAL ROW IDT, 87568 SERIES.
  - PARTS SHALL BE PACKED IN MOISTURE BARRIER BAG WITH DESICCANT GEL.

|   |  |            |  |   |  |                |  |              |  |                 |  |
|---|--|------------|--|---|--|----------------|--|--------------|--|-----------------|--|
| THIS DRAWING CONTAINS INFORMATION THAT IS PROPRIETARY TO MOLEX ELECTRONIC TECHNOLOGIES, LLC AND SHOULD NOT BE USED WITHOUT WRITTEN PERMISSION |  |            |  |   |  |                |  |              |  |                 |  |
| DIMENSION UNITS   |  | SCALE      |  | CURRENT REV DESC: ADDED BTB DIST.             |  |                |  |              |  |                 |  |
| mm  |  | 1:1        |  |   |  |                |  |              |  |                 |  |
| GENERAL TOLERANCES (UNLESS SPECIFIED)   |  |            |  |   |  |                |  |              |  |                 |  |
| ANGULAR TOL ± 3.0°  |  |            |  | MGRID, 2MM, SHRD HDR                          |  |                |  |              |  |                 |  |
| 4 PLACES ±  |  |            |  | W/SLOT, STANDOFFS, LOC. PINS & END WALLS, SMT |  |                |  |              |  |                 |  |
| 3 PLACES ±  |  |            |  | PRODUCT CUSTOMER DRAWING                      |  |                |  |              |  |                 |  |
| 2 PLACES ± 0.2  |  |            |  | DOCUMENT NUMBER                               |  |                |  |              |  |                 |  |
| 1 PLACE ±   |  |            |  | DOC TYPE                                      |  |                |  |              |  |                 |  |
| 0 PLACES ±  |  |            |  | DOC PART                                      |  |                |  |              |  |                 |  |
| DRAFT WHERE APPLICABLE MUST REMAIN WITHIN DIMENSIONS  |  |            |  | THIRD ANGLE PROJECTION                        |  | DRAWING        |  | SERIES       |  | MATERIAL NUMBER |  |
| A3-SIZE   |  | 87832      |  | SEE TABLE                                     |  | GENERAL MARKET |  | SHEET NUMBER |  |                 |  |
| EC NO: 619055   |  | 2019/05/21 |  | DRWN: HK02                                    |  | 2019/07/09     |  | SD-87832-020 |  | PSD 001 A5      |  |
| CHK'D: NMANE02  |  | 2019/07/09 |  | APPR: MRAMAKRISHNA                            |  | 2019/07/09     |  | 1 OF 2       |  |                 |  |

**BOARD TO BOARD (BTB) DISTANCE**

| HEADER | MATES WITH (RECEPTACLE) | BTB DIST. | PICTORIAL VIEW |
|--------|-------------------------|-----------|----------------|
| 87832  | 79107                   | 8.14      |                |
|        | 78787                   | 8.14      |                |
|        | 79108                   | 8.14      |                |
|        | 79109                   | 8.35      |                |
|        | 78788                   | 8.35      |                |

|   |         |                                   |         |        |   |  |  |  |  |
|---|---------|-----------------------------------|---------|--------|---|--|--|--|--|
| THIS DRAWING CONTAINS INFORMATION THAT IS PROPRIETARY TO MOLEX ELECTRONIC TECHNOLOGIES, LLC AND SHOULD NOT BE USED WITHOUT WRITTEN PERMISSION |         |                                   |         |        |   |  |  |  |  |
| DIMENSION UNITS   | SCALE   | CURRENT REV DESC: ADDED BTB DIST. |         |        |   |  |  |  |  |
| mm  | 1:1     |                                   |         |        |   |  |  |  |  |
| GENERAL TOLERANCES (UNLESS SPECIFIED)   |         | EC NO: 619055                     |         |        | MGRID, 2MM, SHRD HDR<br>W/SLOT, STANDOFFS, LOC. PINS & END WALLS, SMT           |  |  |  |  |
| ANGULAR TOL   | ± 3.0 ° | DRWN: HK02 2019/05/21             |         |        |   |  |  |  |  |
| 4 PLACES  | ±       | CHK'D: NMANE02 2019/07/09         |         |        | PRODUCT CUSTOMER DRAWING  |  |  |  |  |
| 3 PLACES  | ±       | APPR: MRAMAKRISHNA 2019/07/09     |         |        |   |  |  |  |  |
| 2 PLACES  | ± 0.2   | INITIAL REVISION:                 |         |        | DOCUMENT NUMBER: SD-87832-020<br>DOC TYPE: PSD<br>DOC PART: 001<br>REVISION: A5 |  |  |  |  |
| 1 PLACE   | ±       | DRWN: ATSEE 2004/11/05            |         |        |   |  |  |  |  |
| 0 PLACES  | ±       | APPR: SKTOH 2004/11/18            |         |        | MATERIAL NUMBER: 87832<br>CUSTOMER: GENERAL MARKET<br>SHEET NUMBER: 2 OF 2      |  |  |  |  |
| DRAFT WHERE APPLICABLE MUST REMAIN WITHIN DIMENSIONS  |         | THIRD ANGLE PROJECTION            | DRAWING | SERIES |   |  |  |  |  |
|   |         |                                   | A3-SIZE | 87832  |   |  |  |  |  |