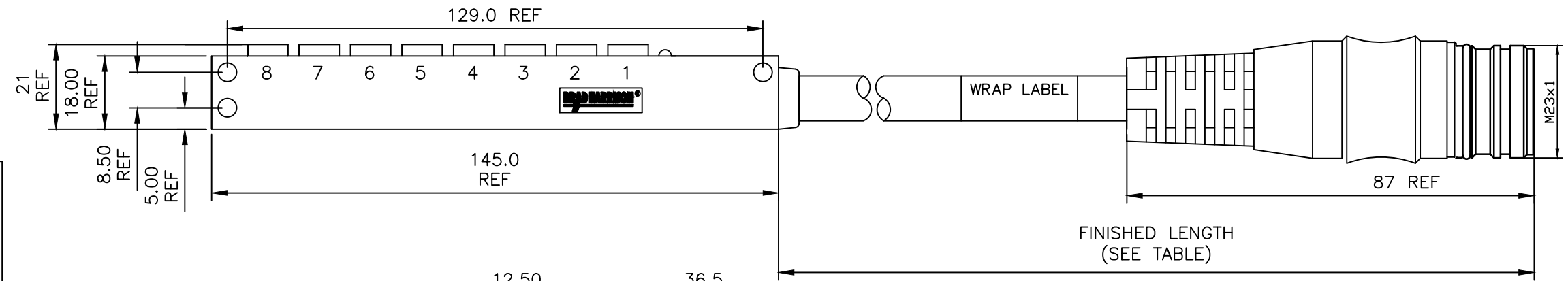


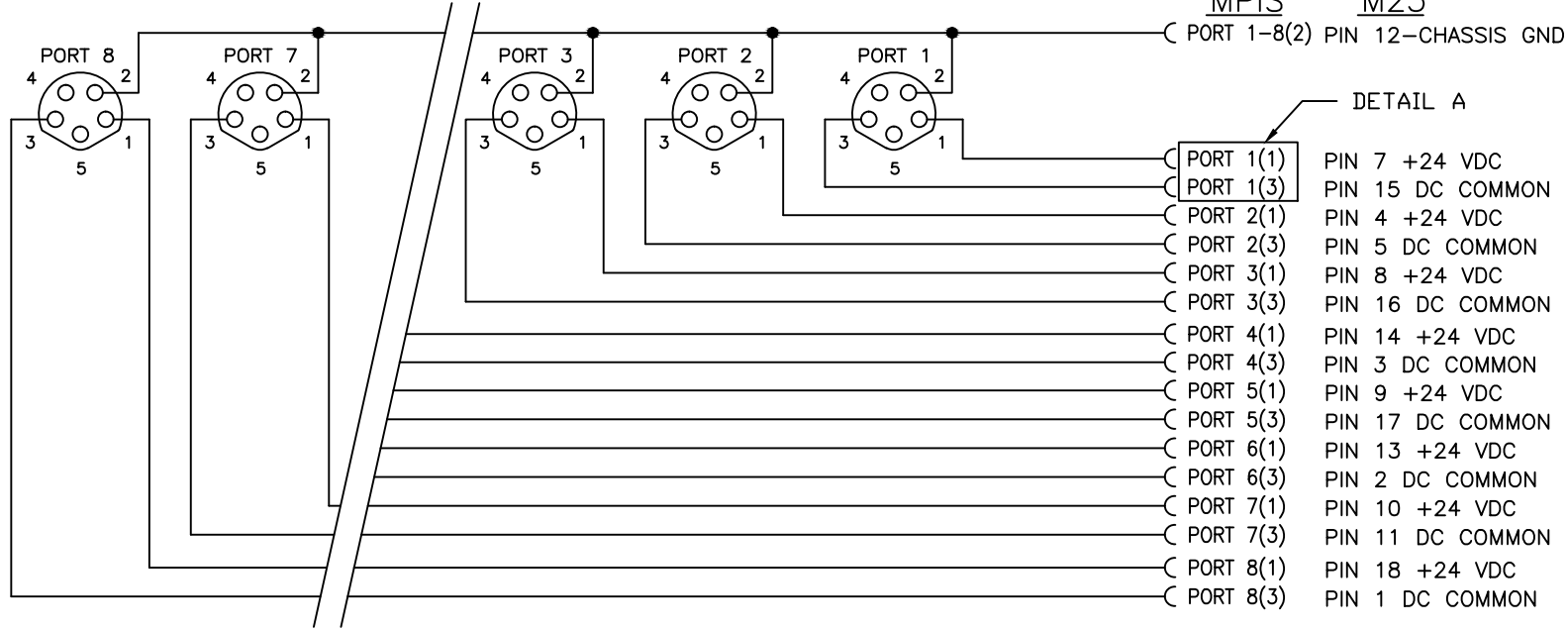
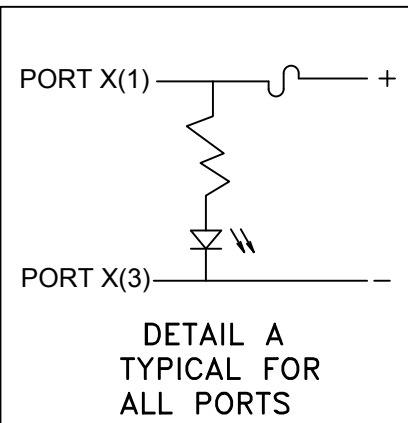
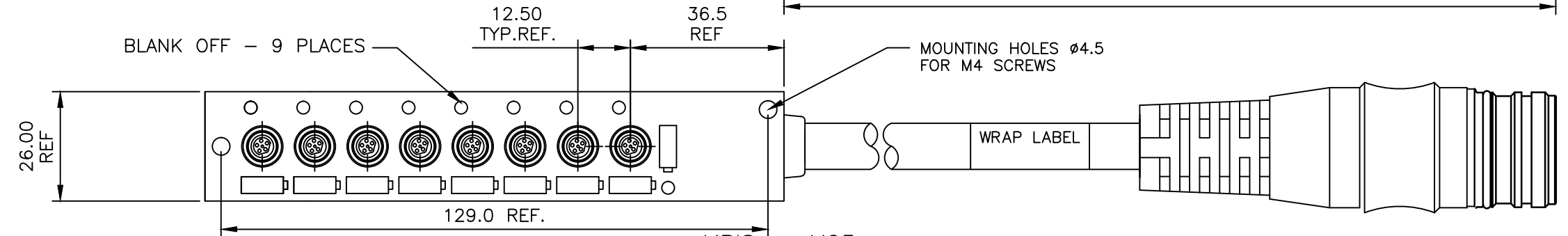
F

CUSTOMER PRODUCTION APPROVAL
 APPROVED BY: _____
 DATE: _____
 MUST BE SIGNED AND RETURNED BEFORE
 PRODUCTION WILL BEGIN.

SALES DRAWING



E



PINS 6, 12, & 19 NOT CONNECTED

| NANO-CHANGE FEMALE FACE VIEW | | M23 MALE FACE VIEW | |
|---------------------------------|-------------------|-----------------------|----------------------|
| <p>PORTS 1-8</p> | | | |
| PIN | FUNCTION | PIN | FUNCTION |
| 1 | V+ 24 VDC | | SEE WIRING SCHEMATIC |
| 2 | CHASSIS GROUND | | |
| 3 | POWER COMMON (V-) | | |
| 4 | NO CONNECTION | | |
| 5 | NO CONNECTION | | |

| PART NUMBER: | FINISHED LENGTH: |
|--------------|------------------|
| 1300380032 | 2.95 METERS |
| 1300380033 | 1.10 METERS |
| 1300380034 | 3.30 METERS |

SPECIFICATION

CABLE: 16 X 0.34MM & 2 X 0.75MM
 HOUSING: YELLOW PBT
 BODY: BLACK PUR
 CONTACT MATERIAL: BRASS
 CONTACT PLATING: GOLD OVER PALLADIUM/NICKEL
 COUPLING NUT: NICKEL PLATED BRASS

AMPERAGE PER PORT: 1.5 AMPS
 INRUSH CURRENT: 3 AMPS @ 3 SECONDS
 TOTAL AMPERAGE: 12.0 AMPS
 FUSE: LITTELFUSE PTC P/N: 2920L150

| | | | | | | | | | | |
|--|-------------------------------|--|--------|---|------------|---------------------------|---|-------------------------------|--|--|
| ADDED PIN 1300380034 EC NO: IPG2015-1809 DRWN: MZIELINS 2015/04/15 CHKD: --- APPR: JFMURPHY 2015/01/26 | QUALITY SYMBOLS ▽=0 ▽=0 | GENERAL TOLERANCES (UNLESS SPECIFIED) | | DIMENSION STYLE MM ONLY | | SCALE 3:2 | DESIGN UNITS METRIC | THIRD ANGLE PROJECTION | | |
| | | 4 PLACES | ±--- | ±--- | DRAWN BY | DATE | TITLE M8 8-PORT MPIS PORT POWER MANIFOLD | | | |
| | | 3 PLACES | ±--- | ±.005 | GGUSTAFS | 2015/01/23 | | | | |
| | | 2 PLACES | ±.13 | ±.010 | CHECKED BY | DATE | MOLEX INCORPORATED | | | |
| 1 PLACE | ±.25 | ±--- | BARDEN | 2015/02/27 | | | | | | |
| ANGULAR ±.5° | | DRAFT WHERE APPLICABLE MUST REMAIN WITHIN DIMENSIONS | | APPROVED BY DATE BWOODMAN 2015/01/26 | | MATERIAL NO. SEE TABLE | | DOCUMENT NO. SD-130038-008 | | |
| SIZE B | | THIS DRAWING CONTAINS INFORMATION THAT IS PROPRIETARY TO MOLEX INCORPORATED AND SHOULD NOT BE USED WITHOUT WRITTEN PERMISSION | | | | | | | | |

A