

NOTES:

- MATERIALS AND FINISHES:
 - COVER - BRASS, NICKEL PLATING
 - FERRULE - BRASS, NICKEL PLATING
 - RETAINER RING - BERYLLIUM COPPER, NATURAL
 - HOUSING - ZINC ALLOY, NICKEL PLATING
 - BODY - BRASS, NICKEL PLATING
 - CONTACT - BERYLLIUM COPPER, GOLD PLATING
 - INSULATOR - PTFE, NATURAL

- ELECTRICAL:
 - A. IMPEDANCE: 75 OHM
 - B. FREQUENCY RANGE: 0-4 GHz
 - C. VSWR (RETURN LOSS): 1.500 (-13.979 dB) MAX.
 - D. D.W.V: 1000 VRMS, MIN.

- MECHANICAL:
 - A. DURABILITY: 500 CYCLES MIN.
 - B. TEMPERATURE RANGE: -65°C TO +165°C

4. CRIMPED FERRULE HEX CRIMP SIZE .128"

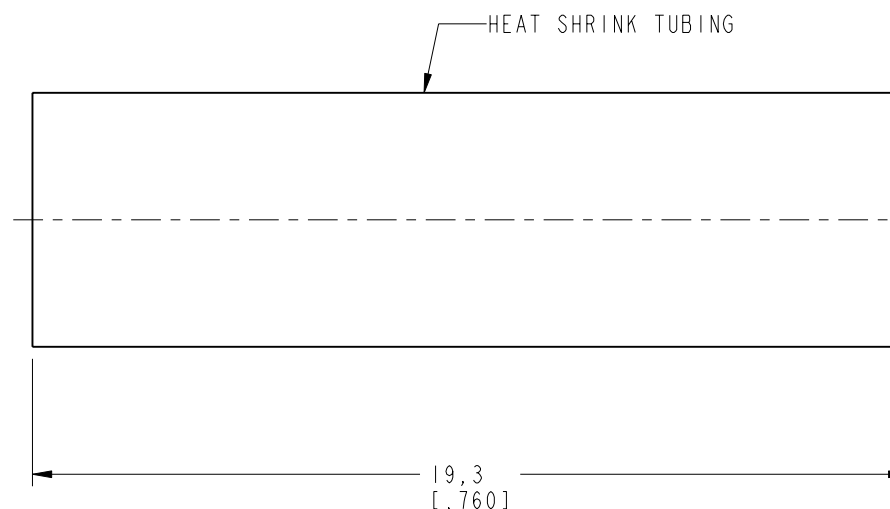
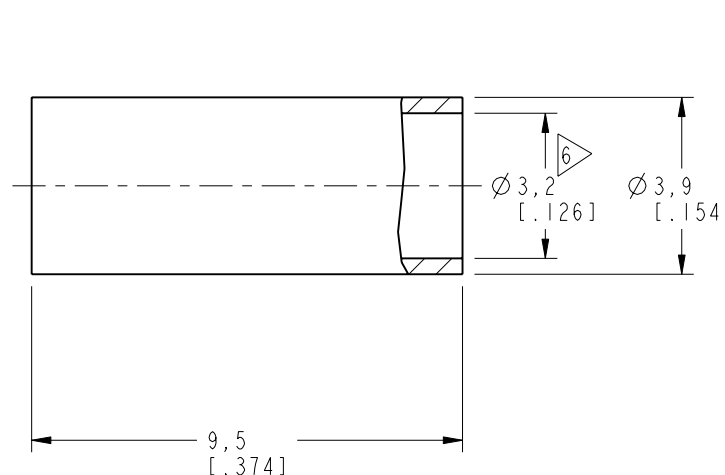
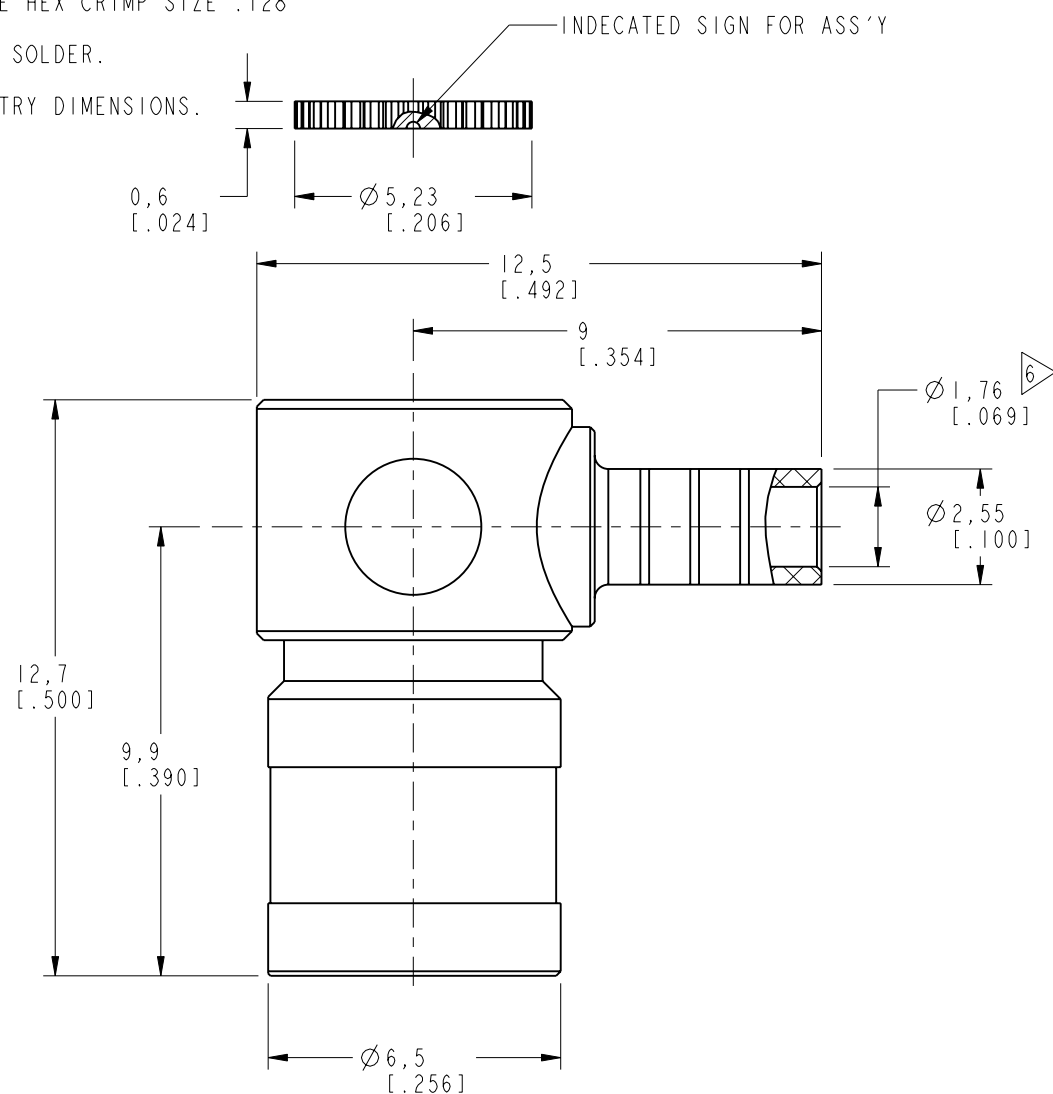
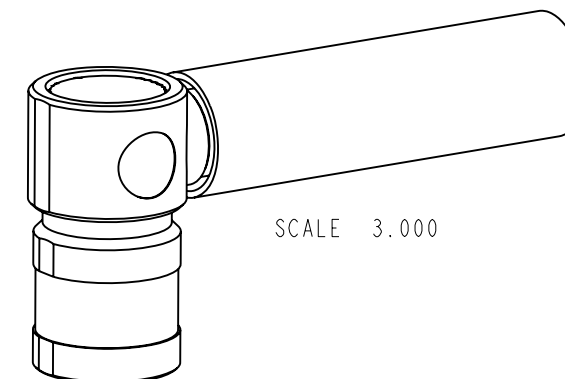
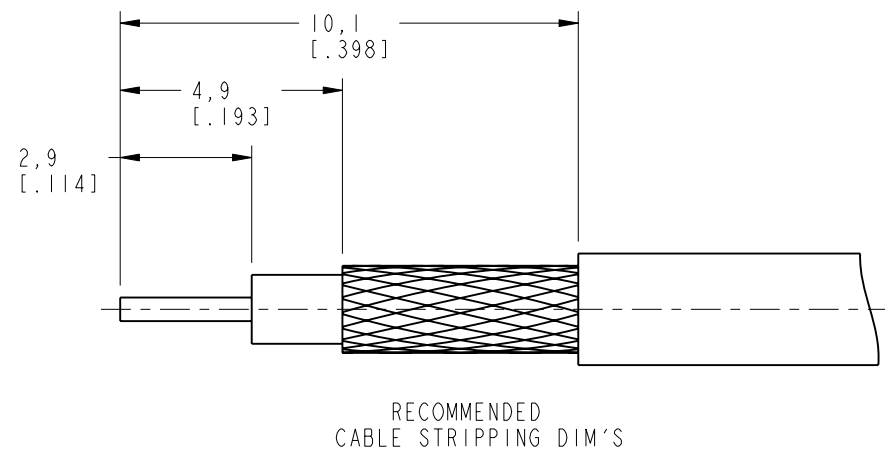
5. CONTACT PIN TO SOLDER.

6. SHOWS CABLE ENTRY DIMENSIONS.

THIRD ANGLE PROJ.

REVISIONS

REV	DESCRIPTION	DATE	ECO	APPR
A	UPDATED PART DIMENSIONS / DRAWING FORMAT	27-Mar-05	-----	GRS
B	SYNC, THE HOUSING WAS RE-TOOLED\RD-DM17042701M	05-May-17	03587	SH



CUSTOMER OUTLINE DRAWING

ALL OTHER SHEETS ARE FOR INTERNAL USE ONLY

UNLESS OTHERWISE SPECIFIED, DIMENSIONS ARE IN METRIC AND TOLERANCES ARE:
 < 0.5mm ± 0.05mm 0.5 - 6mm ± 0.1mm 6 - 30mm ± 0.2mm 30 - 120mm ± 0.3mm ANGLES ± 1°

NOTICE - These drawings, specifications, or other data (1) are, and remain the property of Amphenol corp. (2) must be returned upon request; and (3) are confidential and not to be disclosed to any person other than those to whom they are given by Amphenol Corp. the furnishing of these drawings, specifications, or other data by Amphenol Corp., or to any other person for any purpose is not to be regarded by implication or otherwise in any manner licensing, granting rights to permitting such holder or any other person to manufacture, use or sell any product, process or design, patented or otherwise, that may in any way be related to or disclosed by said drawings, specifications, or other data.

MATERIAL	DRAWN M. ZHANG	DATE 05-May-17	TITLE SMB R/A CRIMP PLUG (FOR RG-174/U, 188A/U 316/U CABLE)	Amphenol RF www.amphenolrf.com
REFERENCE AND CONFIGURATION LEVEL: In Work	ENGINEER G. WANG	DATE 19-Apr-07		
FINISH	APPROVED S. HSIEH	DATE 05-May-17	SCALE: 6.0:1.0	DRAWING NO. SMB6112DI-013-NT30G-75
	CAD FILE		SHEET 2 OF 2	ITEM NO. 126112AAP36NC7F
			DWG SIZE B	PART NO. 142193-75
			REV B	