

Plug-Relay-Compact (PRC) Complete, Consisting of base PRC... with screw connection and pluggable miniature relay PRC... with power contact, Mounting type: Mounting rail TS 35, 1 CO contact, Input voltage: 60 VAC/DC

Business data

Article number	15510.2
Article name	PRCU 1/60V AC/DC
GTIN (EAN)	4044211118495
Packaging unit	10
Quantity unit	PC
Weight per piece (not including packaging)	35 g
Weight per piece (including packaging)	37.67 g
Unit of weight	G
Customs number	85364900
Country of origin	QU
Product description	Relay terminal

Technical data

Dimensions

Length	87.3 mm
Width	6.2 mm
Height TS 35 / 7.5 with BA	79.9 mm

Ratings

Rated voltage U_n	60 VAC/DC -
Overvoltage category	III
Contamination degree	3

Connection data

Connection principle	Screw connection
Wire cross-section single core (rigid), min.	0.2 mm ²
Wire cross-section single-core (rigid), max.	2.5 mm ²
Wire cross-section stranded, min.	0.2 mm ²
Wire cross-section stranded, max.	2.5 mm ²
Stripping length	10 mm
Torque	0.5 Nm

Input data

Holding current	0,6 U_n AC/DC -
Drop-out voltage	0,1 U_n AC / 0,05 U_n DC
Operating range	0,8-1,1 U_n AC/DC
Power consumption	0,2 W

Output data

Switching voltage / switching voltage max.	250 / 400 VAC
Continuous current max. / Inrush current max.	6 / 10 A
Contact configuration	1 CO contact
Switching capacity, max.	1500 VA
Electrical lifespan (AC1)	60x10 ³
Mechanical lifespan	10x10 ⁷
Contact load, min.	500 mW
Bounce time at close of the NO/NC contact	1/6 ms

Materials

Contact material	AgNi
Working temperature, min.	-40 °C
Working temperature, max.	70 °C

Technical data

Further technical data

Degree of protection	IP20
Status display	✓
Insulation voltage coil/contact	1 kV
Response/release time	5 / 6 ms
Insulation voltage contact/contact	6 kV
Vibration resistance NO/NC	10/5 g

Environmental Product Compliance

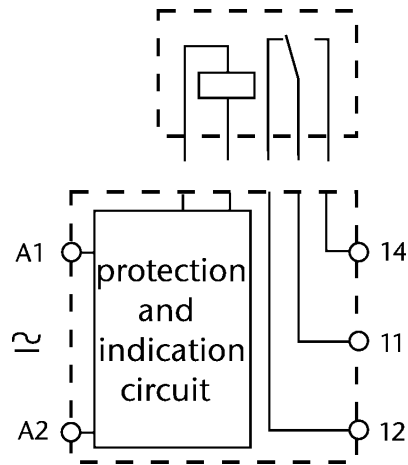
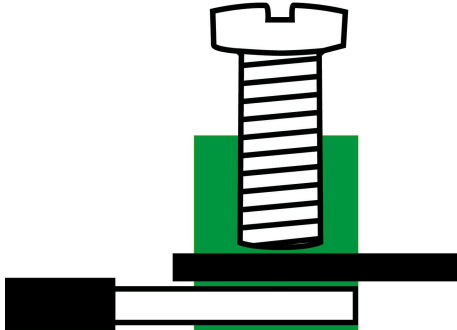
REACH Conform	yes
REACH Reference date	2022-01-07
REACH Candidate Substance Note	No
RoHS Conform	yes

Approvals

Standards and regulations

CE compliant	yes
cUL approval	CSA-C22.2 No. 14
UL approval	UL 508
UL Recognized	1
cUL Recognized	1

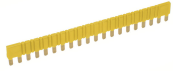
Media



Accessories

Cross-connector

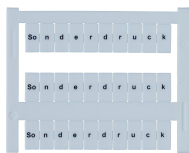
External cross-connector insulated for Plug-Relay-Compact (PRC), 20-pole, can be shortened, Voltage: 250 V, Current: 36 A



Article number	Article name	GTIN (EAN)	Packaging unit
<u>15545.8</u>	AQI/PRC/20 YE	4044211118440	1

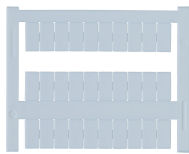
Quick marking

Terminal marker / Pocket Maxicard, Length: 12 mm, Width: 6 mm, Colour: White



Article number	Article name	GTIN (EAN)	Packaging unit
<u>9107.7</u>	PMC BSTR 6/30 So WH	4044211099749	300 ST

Terminal marker / Pocket Maxicard, Length: 12 mm, Width: 6 mm, Colour: White



Article number	Article name	GTIN (EAN)	Packaging unit
<u>9106.7</u>	PMC BSTR 6/30 WH	4044211099732	300 ST

Screwdriver

Screwdriver with bare blade, Colour: Black-grey



Article number	Article name	GTIN (EAN)	Packaging unit
<u>1086.0</u>	SDB 0,6x3,5	4044211014797	1 ST

Relays

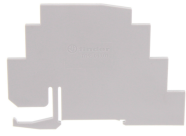
Plug-in miniature power relay, With power contact, 1 CO contact, Input voltage: 60 VDC



Article number	Article name	GTIN (EAN)	Packaging unit
<u>15503.2</u>	PRC 1/60V DC	4044211118167	10 ST

Partition plate

15510.2 PRCU 1/60V AC/DC



Partition plate for Plug-Relay-Compact (PRC) for separating relay blocks, width: 1.5 mm

Article number	Article name	GTIN (EAN)	Packaging unit
<u>15546.2</u>	TW/PRC GR	4044211118457	1 ST