

MATERIAL NUMBER	# OF COLUMNS	# OF DIFF PAIR	DIM "A" MAX	DIM "B"	PTH $\phi$
170510-18**	8	24	15.20	13.30	0.46±0.05
170510-11**	10	30	19.00	17.10	
170510-18**	8	24	15.20	13.30	0.39±0.05
170510-11**	10	30	19.00	17.10	

**170510-1\*\*\***

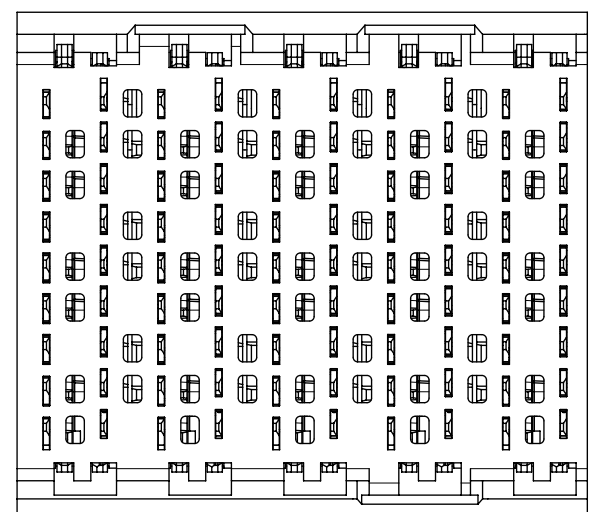
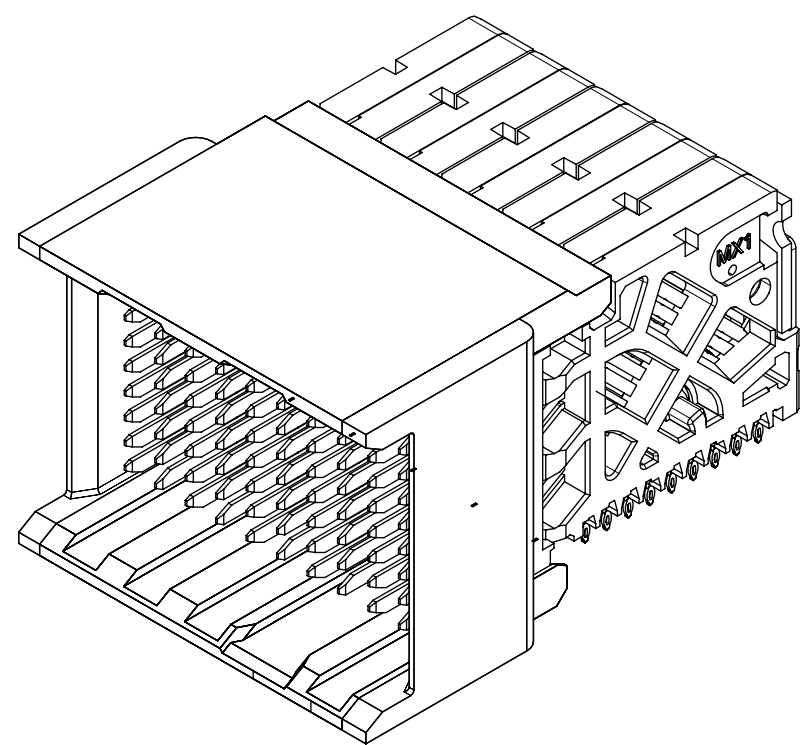
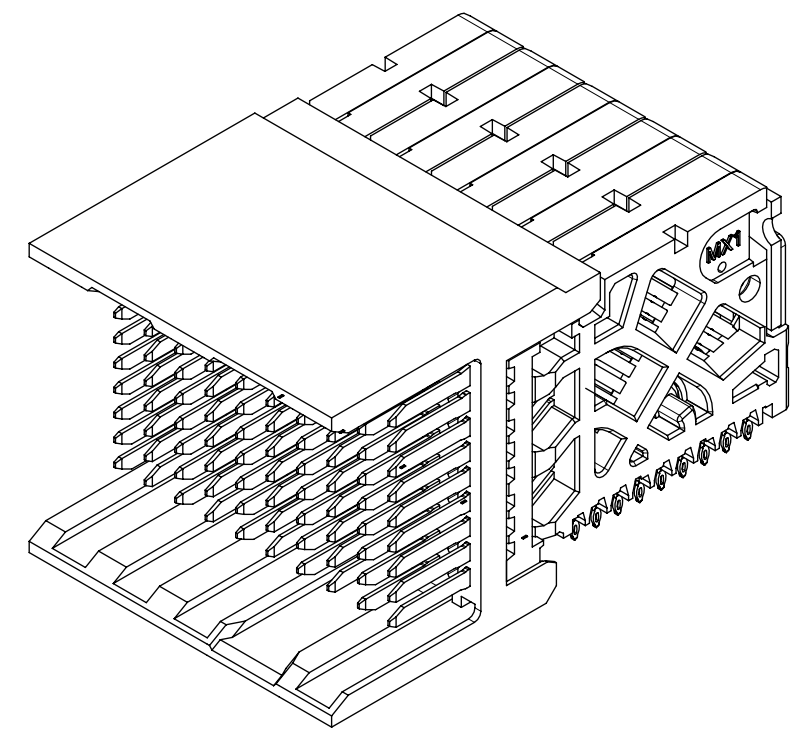
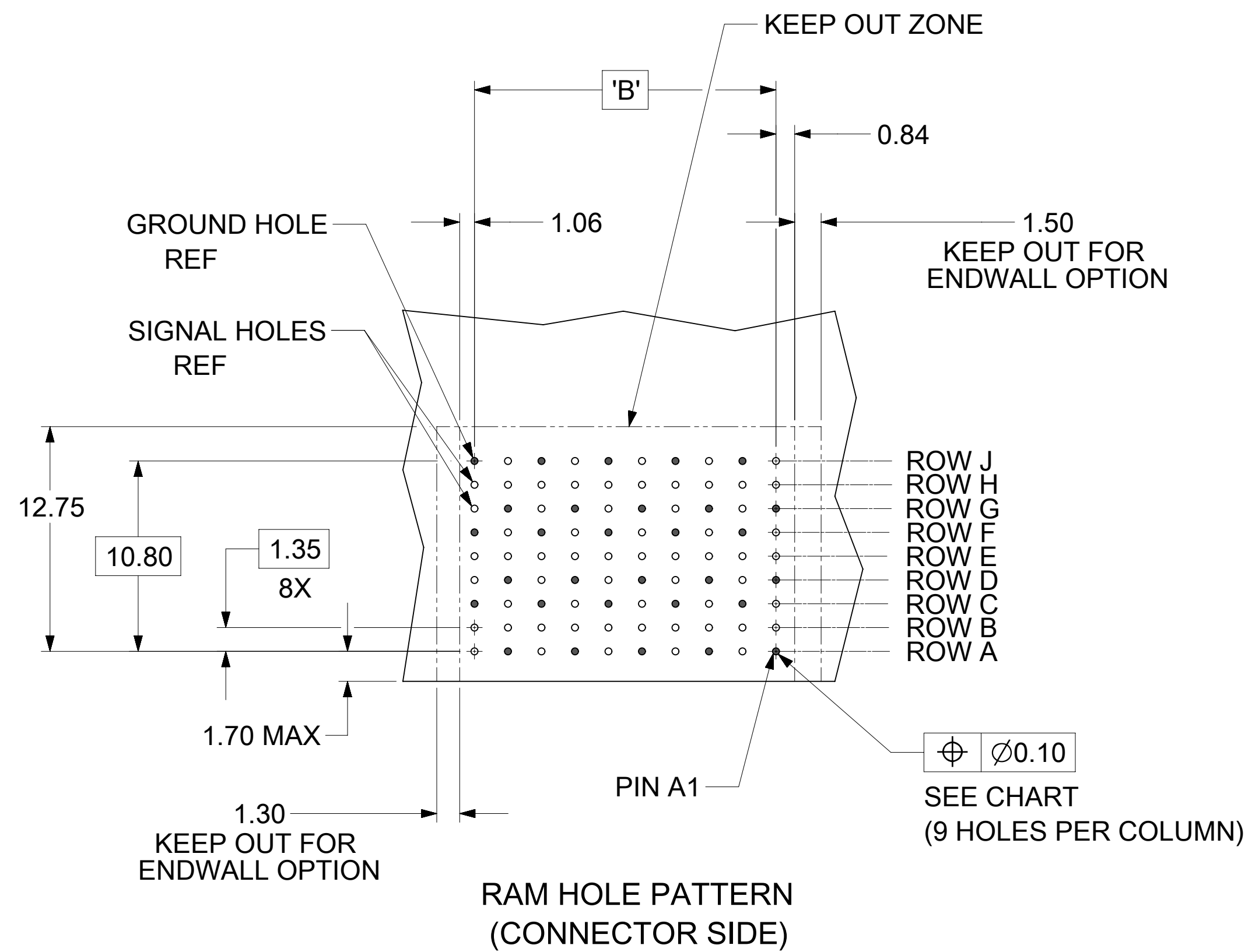
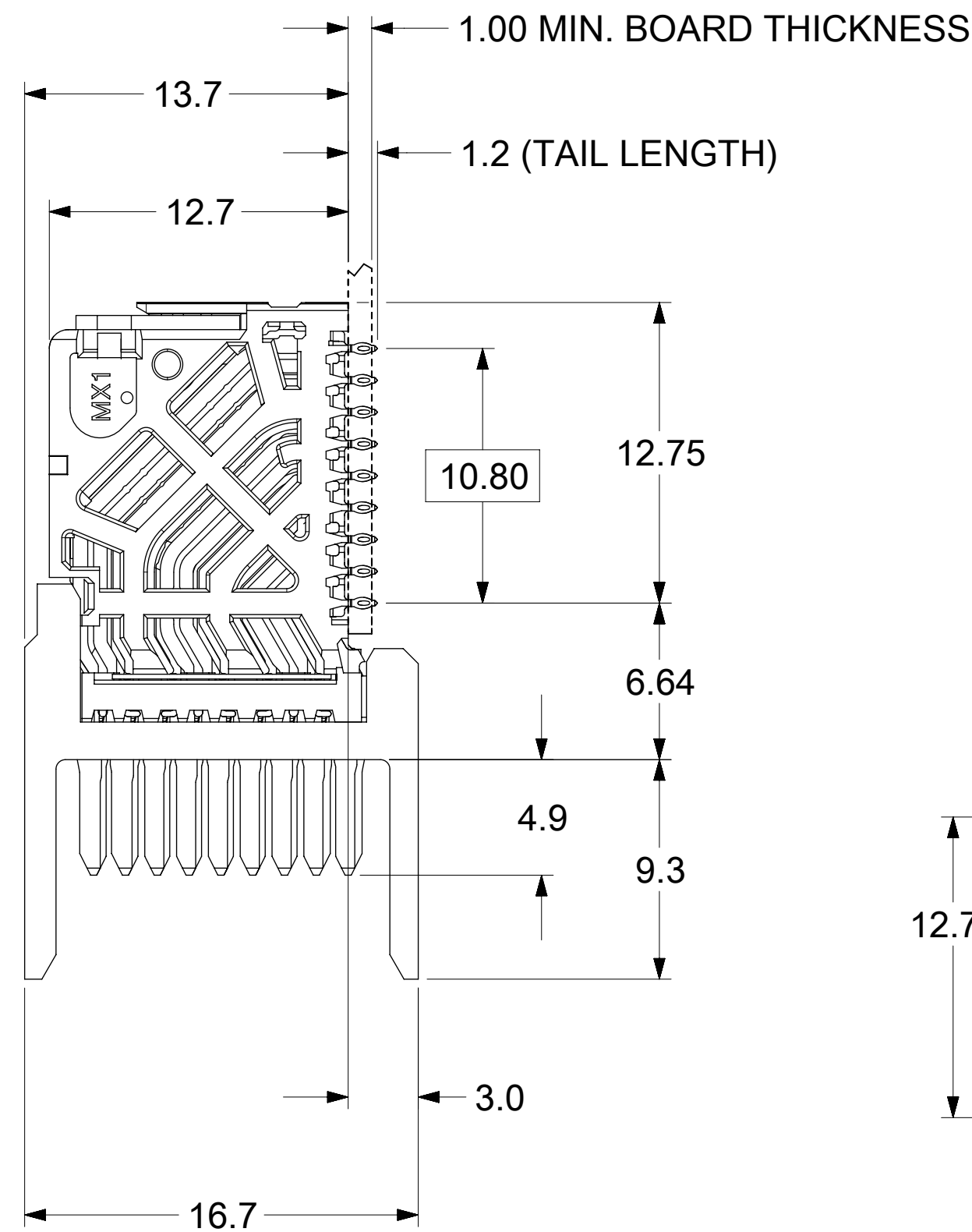
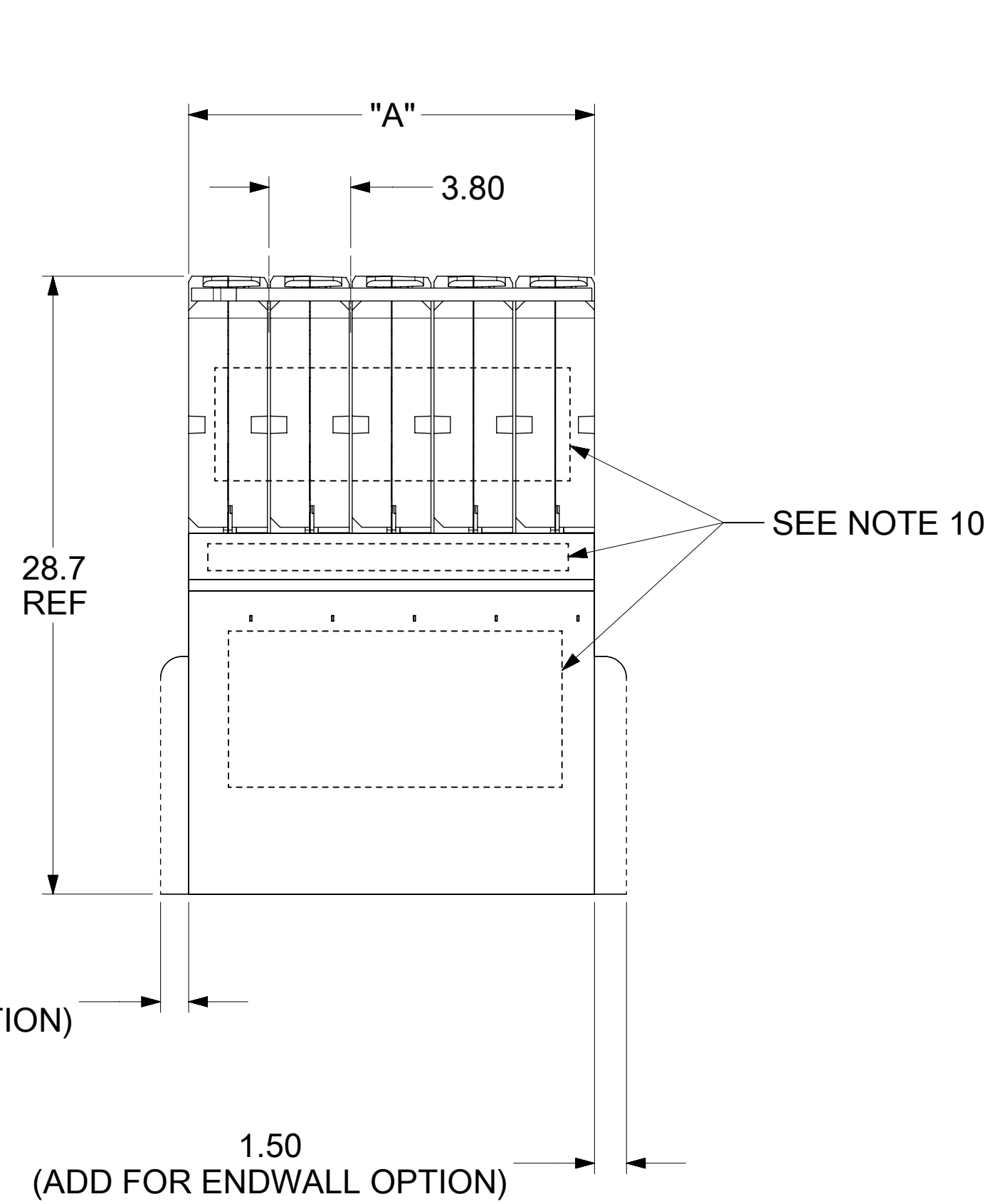
MODULE TYPE  
1 = UNGUIDED, LEAD-FREE

# OF COLUMNS  
1 = 10 COLUMNS  
8 = 8 COLUMNS

PIN LENGTH (P)  
4 = 4.90 (0.46 PTH)  
5 = 5.50 (0.46 PTH)  
7 = 4.90 (0.39 PTH)  
8 = 5.50 (0.39 PTH)

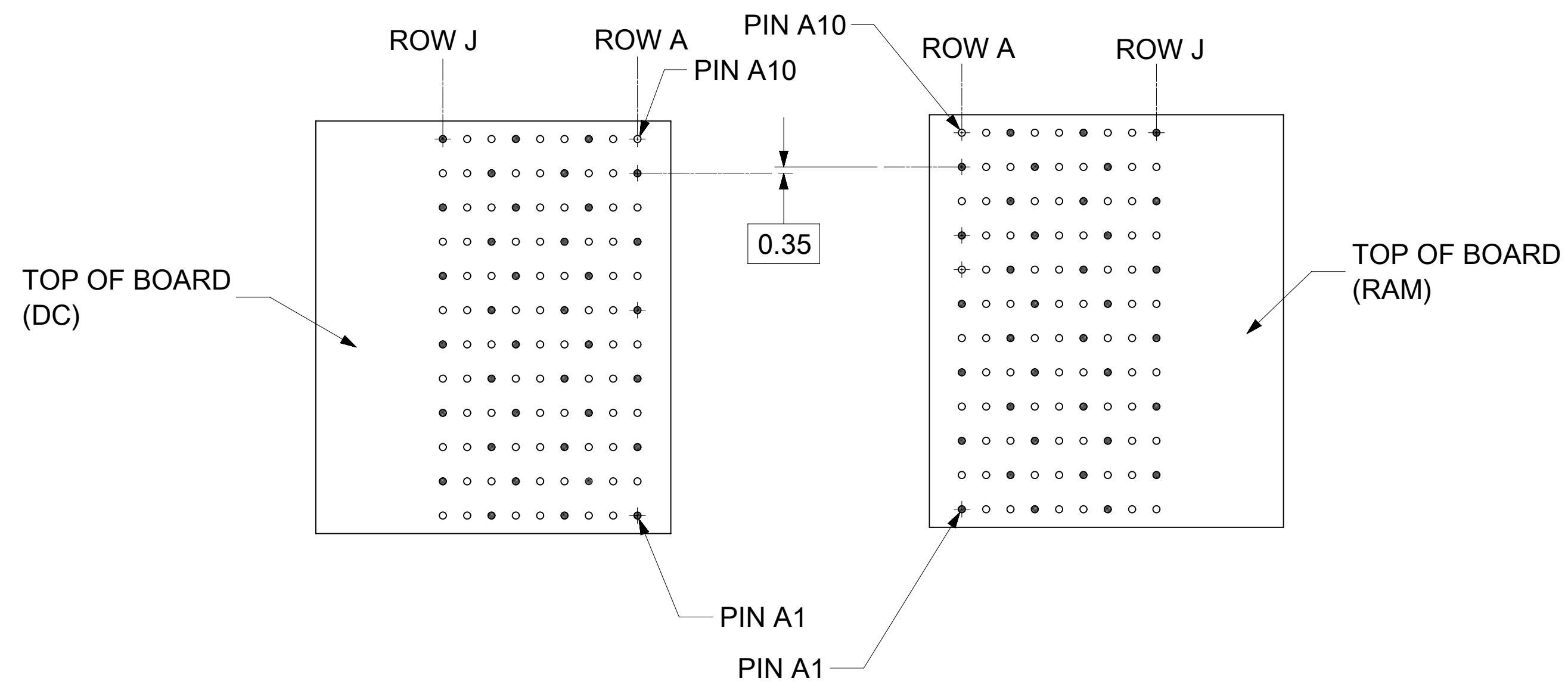
END WALL OPTIONS  
0 = OPEN ENDS  
1 = LEFT ENDWALL  
2 = DUAL ENDWALL  
3 = RIGHT ENDWALL

- NOTES:
- MATERIALS: HOUSING - LIQUID CRYSTAL POLYMER (LCP), GLASS-FILLED, UL94V-0  
TERMINALS - HIGH PERFORMANCE COPPER ALLOY
  - FINISH: 30 $\mu$ IN SELECTIVE GOLD IN CONTACT AREA, SELECTIVE TIN ON PCB TAILS, NICKEL OVERALL.
  - REFER TO MOLEX PRODUCT SPECIFICATION PS-170540-999 FOR PERFORMANCE SPECIFICATIONS AND ADDITIONAL PCB INFORMATION.
  - EACH SIGNAL WAFER CONTAINS 2 COLUMNS OF TERMINALS.
  - PRODUCT IS PACKAGED PER PK-70873-041.
  - THIS PART CONFORMS TO CLASS B REQUIREMENTS OF COSMETIC SPEC PS-45499-002.
  - REFER TO MOLEX SALES DRAWING SD-170530-0001 FOR THE MATING RECEPTACLES.
  - REFER TO MOLEX PCB ROUTING GUIDE AS-76060-990 FOR ANTIPAD AND ROUTING RECOMMENDATIONS.
  - GROUND PATHS ARE NOT DISCRETE CIRCUITS.
  - MARKING: LOCATED APPROXIMATELY AS SHOWN. PART NUMBER AND DATE CODE.

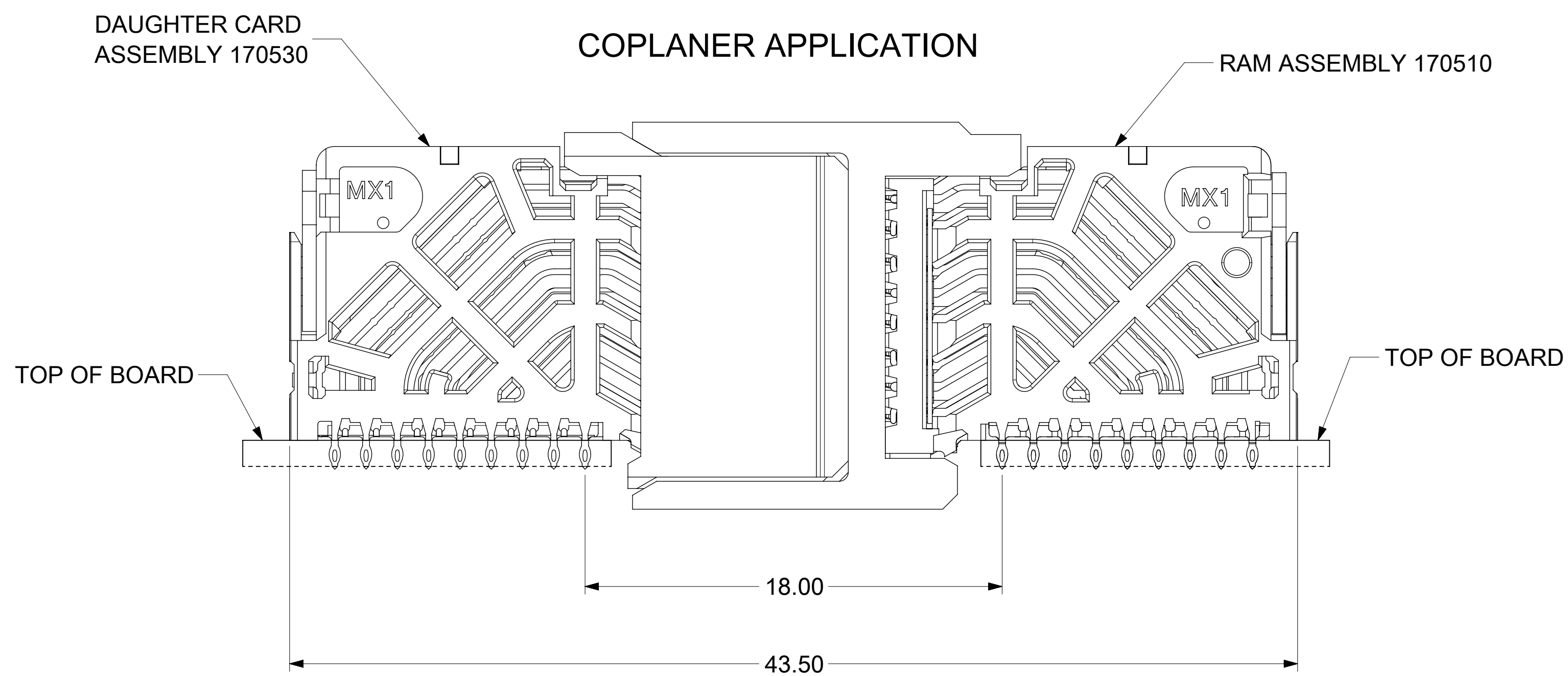
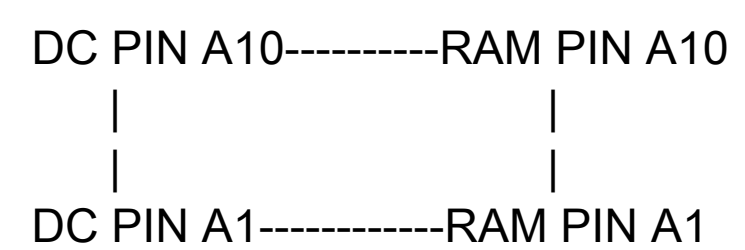


THIS DRAWING CONTAINS INFORMATION THAT IS PROPRIETARY TO MOLEX ELECTRONIC TECHNOLOGIES, LLC AND SHOULD NOT BE USED WITHOUT WRITTEN PERMISSION

DIMENSION UNITS	SCALE	CURRENT REV DESC:	molex		
mm	NTS	REMASTERED TO NX AND UPDATED MATING RECEPTACLE DRAWING NUMBER IN NOTE 7.	IMPACT 3P 85 OHM RAM SIGNAL MODULE ASSEMBLY UNGUIDED SALES DRAWING		
GENERAL TOLERANCES (UNLESS SPECIFIED)		EC NO: 705090	PRODUCT CUSTOMER DRAWING		
ANGULAR TOL	± 0.5°	DRWN: PMAHADEVAPPA 2019/05/14	DOCUMENT NUMBER	DOC TYPE	DOC PART
4 PLACES	±	CHK'D: TMARRI 2019/12/13	SD-170510-0002	PSD	001
3 PLACES	±	APPR: LZENG 2022/05/13	REVISION		A4
2 PLACES	± 0.13	INITIAL REVISION:	MATERIAL NUMBER		
1 PLACE	± 0.25	DRWN: MKRAUSE 2013/05/31	SEE CHART	GENERAL MARKET	
0 PLACES	±	APPR: MKRAUSE 2013/06/21	CUSTOMER		SHEET NUMBER
DRAFT WHERE APPLICABLE MUST REMAIN WITHIN DIMENSIONS		THIRD ANGLE PROJECTION	DRAWING	SERIES	
			D-SIZE	170510	



COPLANAR MATED SIGNAL PATHS



THIS DRAWING CONTAINS INFORMATION THAT IS PROPRIETARY TO MOLEX ELECTRONIC TECHNOLOGIES, LLC AND SHOULD NOT BE USED WITHOUT WRITTEN PERMISSION

DIMENSION UNITS: mm SCALE: NTS

GENERAL TOLERANCES (UNLESS SPECIFIED)  
 ANGULAR TOL ± 0.5°  
 4 PLACES ±  
 3 PLACES ±  
 2 PLACES ± 0.13  
 1 PLACE ± 0.25  
 0 PLACES ±

CURRENT REV DESC: REMASTERED TO NX AND UPDATED MATING RECEPTACLE DRAWING NUMBER IN NOTE 7.

EC NO: 705090  
 DRWN: PMAHADEVAPPA 2019/05/14  
 CHK'D: TMARRI 2019/12/13  
 APPR: LZENG 2022/05/13

INITIAL REVISION:  
 DRWN: MKRAUSE 2013/05/31  
 APPR: MKRAUSE 2013/06/21

DRAFT WHERE APPLICABLE MUST REMAIN WITHIN DIMENSIONS

THIRD ANGLE PROJECTION

DRAWING: D-SIZE SERIES: 170510

**molex**

IMPACT 3P 85 OHM RAM  
 SIGNAL MODULE ASSEMBLY UNGUIDED SALES  
 DRAWING

PRODUCT CUSTOMER DRAWING

DOCUMENT NUMBER	DOC TYPE	DOC PART	REVISION
SD-170510-0002	PSD	001	A4

MATERIAL NUMBER: SEE CHART CUSTOMER: GENERAL MARKET SHEET NUMBER: 2 OF 2