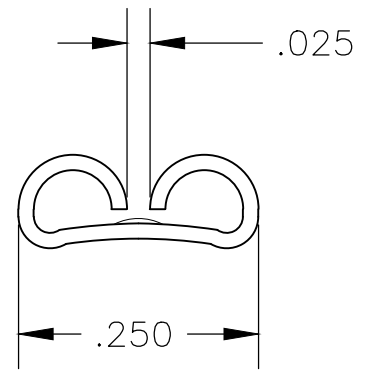
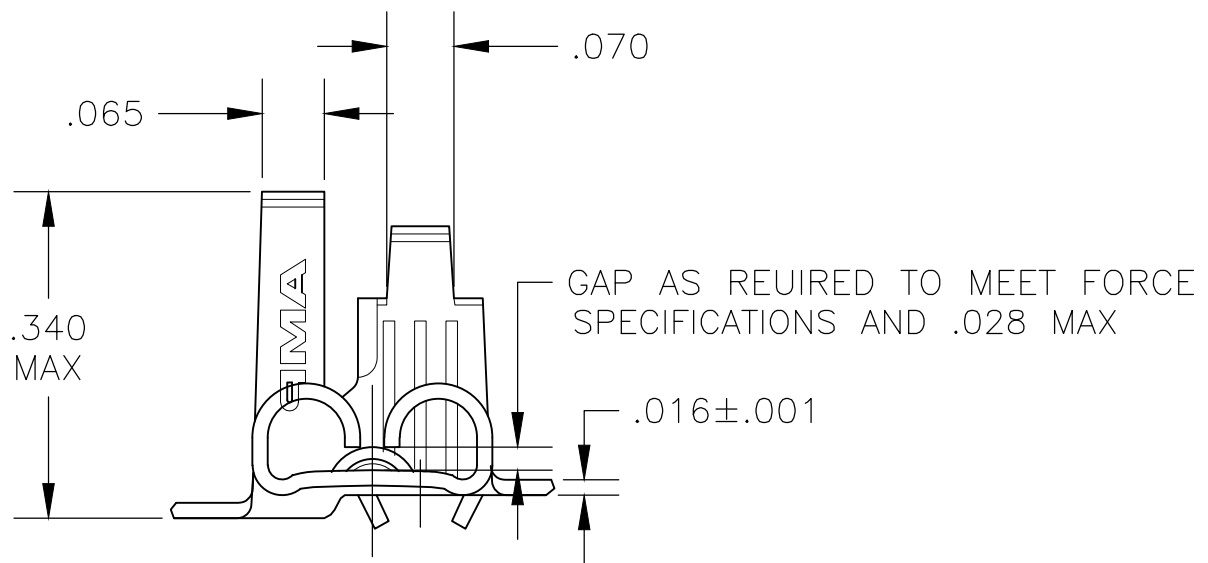
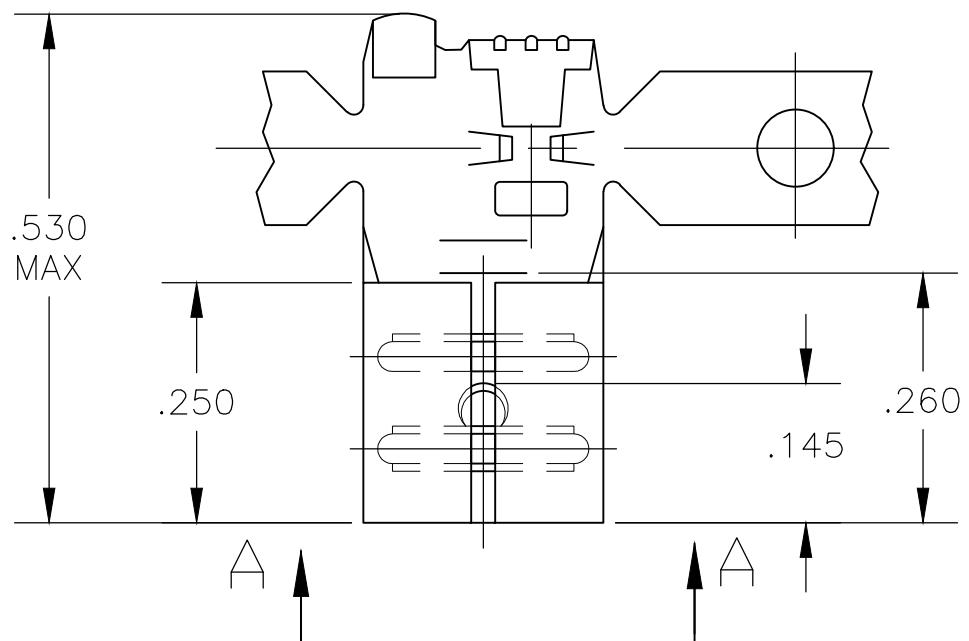


THIS DRAWING IS UNPUBLISHED. RELEASED FOR PUBLICATION  
 © COPYRIGHT BY TYCO ELECTRONICS CORPORATION. ALL RIGHTS RESERVED.


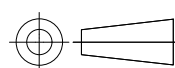
LOC	DIST	REVISIONS			
P	LTR	DESCRIPTION	DATE	DWN	APVD
AF	50	B1	REVISED PER ECR-20-009164	23JUL2020	MK DH

- CONTINUOUS STRIP ON REELS ON .650±.005 CENTERS
- MATING TAB THK IS .033-.030
- WIRE SIZE IS #18-#14 AWG
- INSULATION RANGE IS .100-.150 DIA



VIEW  
A-A

1742595-1  
PART NO

THIS DRAWING IS A CONTROLLED DOCUMENT.		DWN	JR RUTH	03MAY07	 <b>TE Connectivity</b>							
DIMENSIONS: INCHES		CHK	P DESANTIS	03MAY07								
		APVD	P DESANTIS	03MAY07								
TOLERANCES UNLESS OTHERWISE SPECIFIED:		PRODUCT SPEC		NAME								
0 PLC ± - 1 PLC ± - 2 PLC ± - 3 PLC ± .010 4 PLC ± - ANGLES ± 5°		APPLICATION SPEC		RECEPTACLE, FASTON, FLAG, .205 SERIES								
MATERIAL	H02 STEEL	FINISH	.000150 MIN NICKEL		SIZE	A3	CAGE CODE	00779	DRAWING NO	C-1742595	RESTRICTED TO	-
CUSTOMER DRAWING						SCALE	5:1	SHEET	1 OF 1	REV	B1	