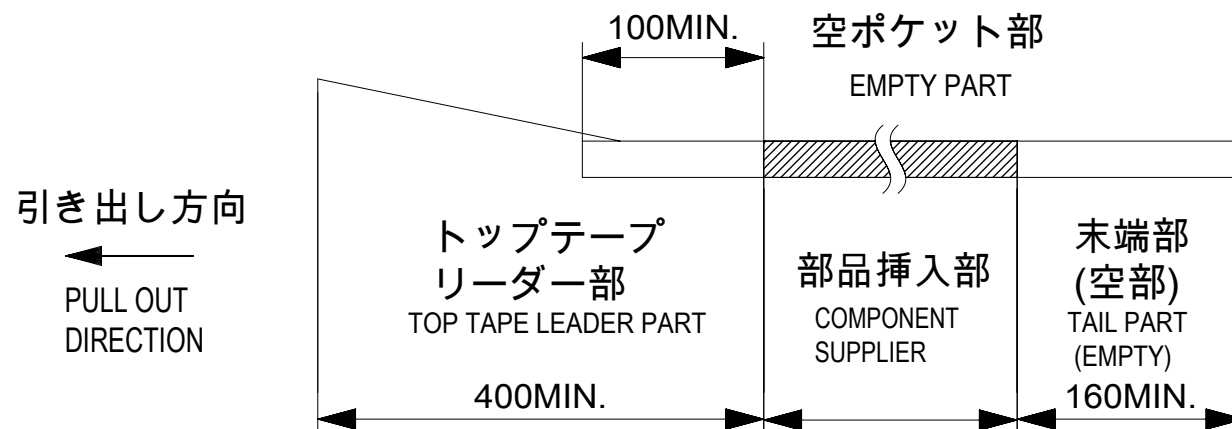


NOTES

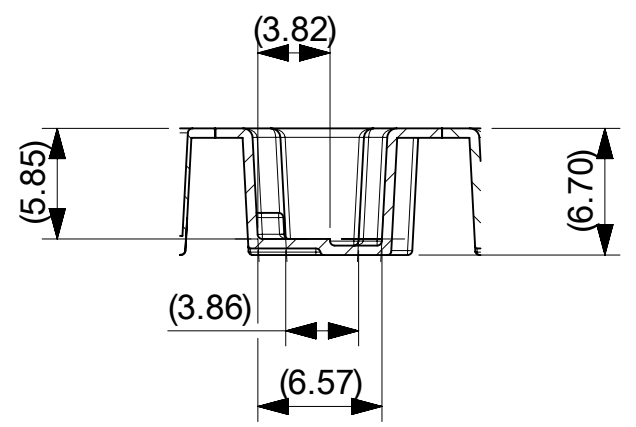
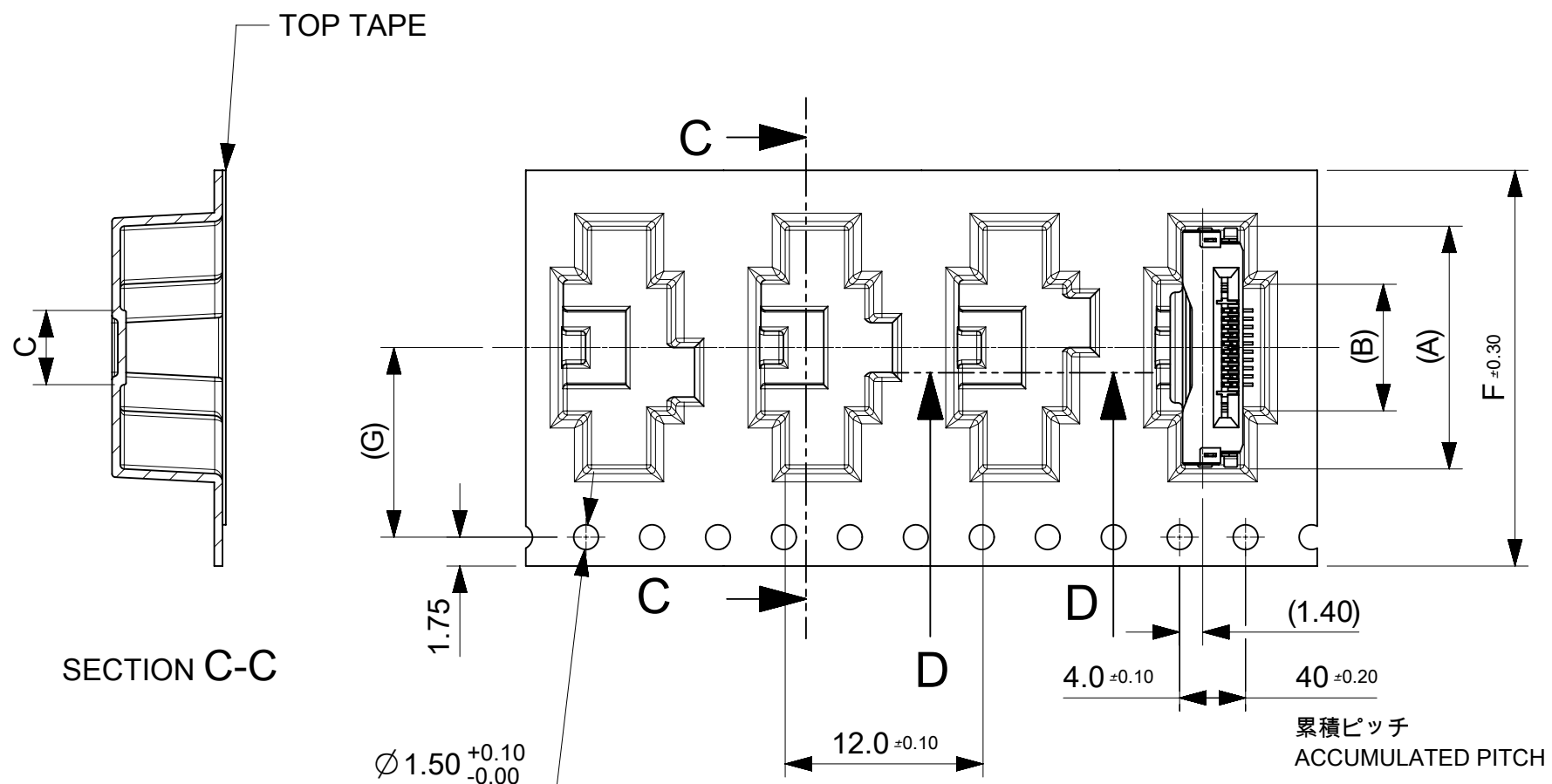
- 梱包数量 : 1200個 / リール  
NUMBER OF CONNECTORS : 1200 PCS/REEL.
- リードテープ長さ  
LEAD TAPE LENGTH



- カバーテープの剥離強度については、IEC60286-3に準拠。  
TOP TAPE PEEL FORCE IS DEFINED BY IEC 60286-3.
- 製品詳細寸法については、図面 2004851500を参照下さい。  
FOR DIMENSIONS OF PRODUCT, REFER TO 2004851500
- 材料 MATERIAL  
キャリアテープ : ポリスチレン  
CARRIER TAPE : POLYSTYRENE  
トップテープ : ポリエチレンテレフタレート、ポリエチレン  
TOP TAPE : POLYETHYLENE TEREPHTHALATE, POLYETHYLENE  
リール : ポリスチレン<リサイクル材を含む>  
REEL : POLYSTYRENE RECYCLED MATERIAL CONTAINED
- ELV及びRoHS適合品 ELV AND RoHS COMPLIANT.

|   |         |                        |         |                          |                 |              |
|---|---------|------------------------|---------|--------------------------|-----------------|--------------|
| THIS DRAWING CONTAINS INFORMATION THAT IS PROPRIETARY TO MOLEX ELECTRONIC TECHNOLOGIES, LLC AND SHOULD NOT BE USED WITHOUT WRITTEN PERMISSION |         | CURRENT REV DESC:      |         | <b>molex</b>             |                 |              |
| DIMENSION UNITS   | SCALE   |                        |         |                          |                 |              |
| mm  | NTS     |                        |         | EMB PKG ONE-TOUCH ST     |                 |              |
| GENERAL TOLERANCES (UNLESS SPECIFIED)   |         |                        |         | PRODUCT CUSTOMER DRAWING |                 |              |
| ANGULAR TOL   | ± 1.0 ° |                        |         | DOCUMENT NUMBER          |                 |              |
| 4 PLACES  | ± 0.1   | EC NO: 648126          |         | 2004850500               |                 |              |
| 3 PLACES  | ± 0.1   | DRWN: TYAMANE          |         | PSD                      |                 |              |
| 2 PLACES  | ± 0.1   | CHK'D: YMATSUMOTO      |         | 000                      |                 |              |
| 1 PLACE   | ± 0.1   | APPR: SHOSHIKAWA       |         | C                        |                 |              |
| 0 PLACES  | ± 0.1   | INITIAL REVISION:      |         | REVISION                 |                 |              |
| DRAFT WHERE APPLICABLE MUST REMAIN WITHIN DIMENSIONS  |         | THIRD ANGLE PROJECTION | DRAWING | SERIES                   | MATERIAL NUMBER | CUSTOMER     |
|   |         | ⊕                      | A3-SIZE | 200485                   | SEE TABLE       | GENERAL      |
|   |         |                        |         |                          |                 | SHEET NUMBER |
|   |         |                        |         |                          |                 | 1 OF 3       |

引き出し方向  
PULL OUT  
DIRECTION



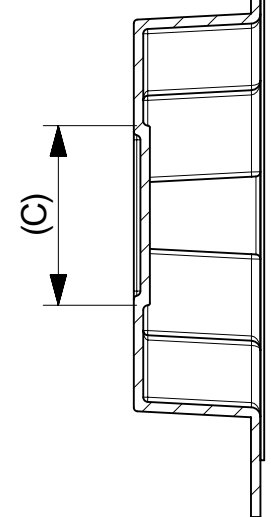
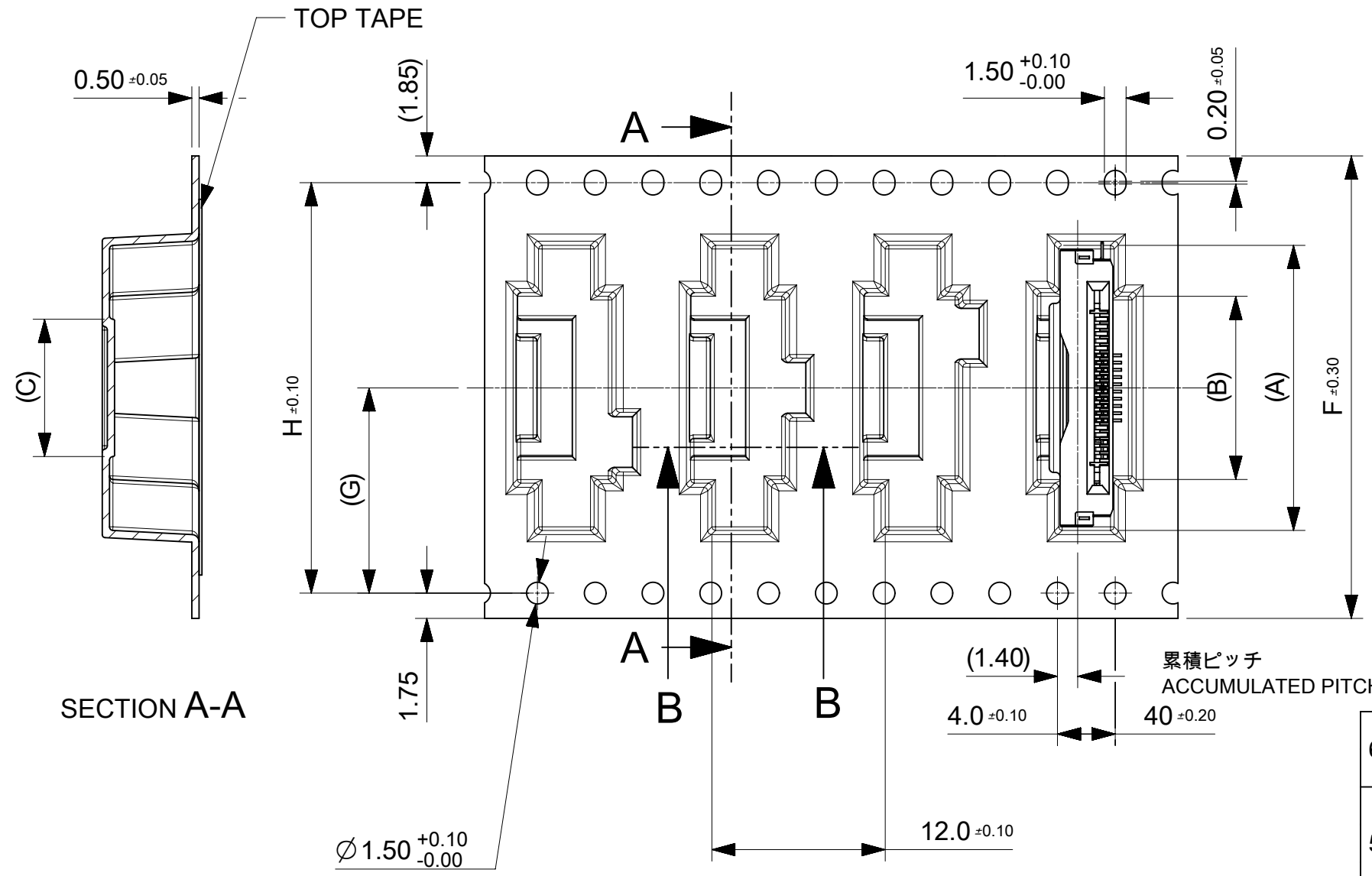
SECTION D-D

|      |    |      |      |     |      |      |                  |     |
|------|----|------|------|-----|------|------|------------------|-----|
| 11.5 | 24 | 29.4 | 25.4 | 4.5 | 7.65 | 14.7 | 2004850510       | 10  |
| G    | F  | E    | D    | C   | B    | A    | EMBOSSED PACKAGE | Ckt |
|      |    |      |      |     |      |      | オーダー番号 ORDER NO. |     |

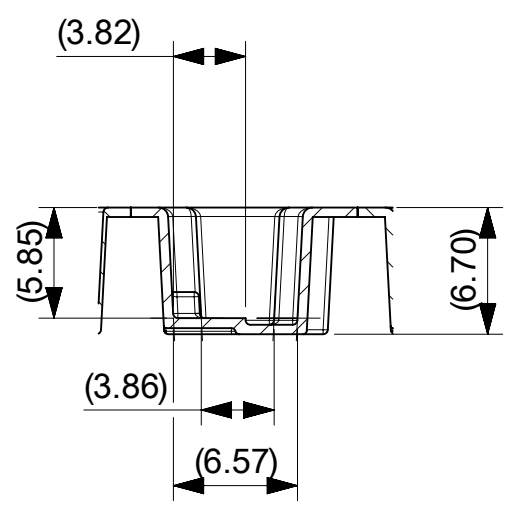
|   |  |                        |  |                   |  |            |  |                          |  |
|---|--|------------------------|--|-------------------|--|------------|--|--------------------------|--|
| THIS DRAWING CONTAINS INFORMATION THAT IS PROPRIETARY TO MOLEX ELECTRONIC TECHNOLOGIES, LLC AND SHOULD NOT BE USED WITHOUT WRITTEN PERMISSION |  |                        |  |                   |  |            |  |                          |  |
| DIMENSION UNITS<br>mm   |  | SCALE<br>NTS           |  | CURRENT REV DESC: |  |            |  | <b>molex</b>             |  |
| GENERAL TOLERANCES<br>(UNLESS SPECIFIED)  |  | ANGULAR TOL ± 1.0°     |  | EC NO: 648126     |  |            |  |                          |  |
| 4 PLACES ± 0.1  |  | 3 PLACES ± 0.1         |  | DRWN: TYAMANE     |  | 2020/10/15 |  | EMB PKG ONE-TOUCH ST     |  |
| 2 PLACES ± 0.1  |  | 1 PLACE ± 0.1          |  | CHK'D: YMATSUMOTO |  | 2020/10/30 |  | PRODUCT CUSTOMER DRAWING |  |
| 0 PLACES ± 0.1  |  | INITIAL REVISION:      |  | APPR: SHOSHIKAWA  |  | 2020/11/02 |  | DOCUMENT NUMBER          |  |
| DRAFT WHERE APPLICABLE<br>MUST REMAIN<br>WITHIN DIMENSIONS  |  | THIRD ANGLE PROJECTION |  | DRWN: TYAMANE     |  | 2018/09/21 |  | 2004850500               |  |
| DRAWING<br>A3-SIZE  |  | SERIES<br>200485       |  | APPR: RTAKEUCHI   |  | 2019/09/27 |  | DOC TYPE<br>PSD          |  |
| MATERIAL NUMBER<br>SEE TABLE  |  | CUSTOMER<br>GENERAL    |  | REVISION<br>000   |  | C          |  | SHEET NUMBER<br>2 OF 3   |  |

CONNECTOR NO. 20048515\*\*

引き出し方向  
PULL OUT  
DIRECTION



SECTION A-A



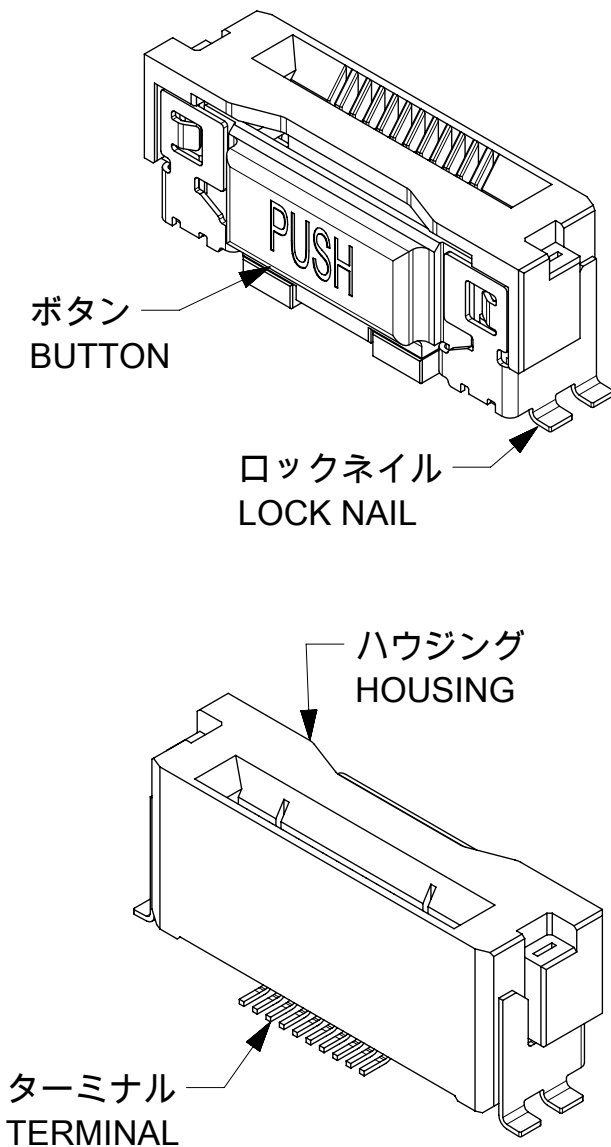
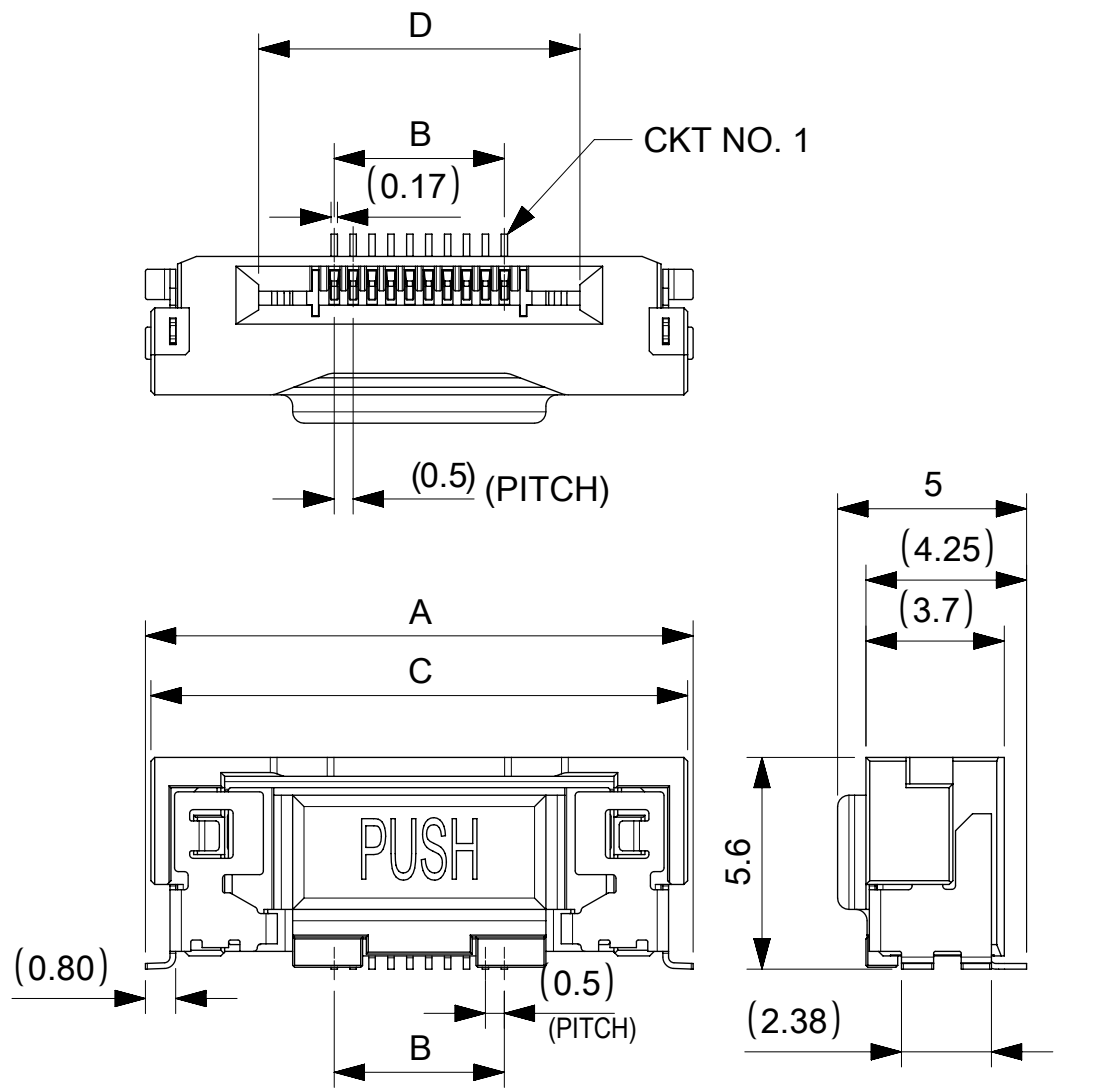
SECTION B-B

CONNECTOR NO. 20048515\*\*

|      |      |    |      |      |      |       |      |                  |     |
|------|------|----|------|------|------|-------|------|------------------|-----|
| 68.4 | 34.2 | 72 | 78.1 | 73.5 | 39.5 | 42.65 | 49.7 | 2004850580       | 80  |
|      |      |    |      |      | 34.5 | 37.65 | 44.7 | 2004850570       | 70  |
| 52.4 | 26.2 | 56 | 61.4 | 75.4 | 29.5 | 32.65 | 39.7 | 2004850560       | 60  |
|      |      |    |      |      | 25   | 28.15 | 35.2 | 2004850551       | 51  |
| 40.4 | 20.2 | 44 | 49.4 | 45.4 | 24.5 | 27.65 | 34.7 | 2004850550       | 50  |
|      |      |    |      |      | 19.5 | 22.65 | 29.7 | 2004850540       | 40  |
|      |      |    |      |      | 17   | 20.15 | 27.2 | 2004850535       | 35  |
| 28.4 | 14.2 | 32 | 37.4 | 33.4 | 14.5 | 17.65 | 24.7 | 2004850530       | 30  |
|      |      |    |      |      | 9.5  | 12.65 | 19.7 | 2004850520       | 20  |
| H    | G    | F  | E    | D    | C    | B     | A    | EMBOSSED PACKAGE | Ckt |
|      |      |    |      |      |      |       |      | オーダー番号 ORDER NO. |     |

THIS DRAWING CONTAINS INFORMATION THAT IS PROPRIETARY TO MOLEX ELECTRONIC TECHNOLOGIES, LLC AND SHOULD NOT BE USED WITHOUT WRITTEN PERMISSION

|  |         |                              |         |                          |                 |
|--|---------|------------------------------|---------|--------------------------|-----------------|
| DIMENSION UNITS                                      | SCALE   | CURRENT REV DESC:            |         | <b>molex</b>             |                 |
| mm   | NTS     |                              |         |                          |                 |
| GENERAL TOLERANCES (UNLESS SPECIFIED)                |         | EC NO: 648126                |         | EMB PKG ONE-TOUCH ST     |                 |
| ANGULAR TOL  | ± 1.0 ° | DRWN: TYAMANE 2020/10/15     |         | PRODUCT CUSTOMER DRAWING |                 |
| 4 PLACES   | ± 0.1   | CHK'D: YMATSUMOTO 2020/10/30 |         | DOCUMENT NUMBER          |                 |
| 3 PLACES   | ± 0.1   | APPR: SHOSHIKAWA 2020/11/02  |         | 2004850500               |                 |
| 2 PLACES   | ± 0.1   | INITIAL REVISION:            |         | DOC TYPE                 | DOC PART        |
| 1 PLACE  | ± 0.1   | DRWN: TYAMANE 2018/09/21     |         | PSD                      | 000             |
| 0 PLACES   | ± 0.1   | APPR: RTAKEUCHI 2019/09/27   |         | REVISION                 | C               |
| DRAFT WHERE APPLICABLE MUST REMAIN WITHIN DIMENSIONS |         | THIRD ANGLE PROJECTION       | DRAWING | SERIES                   | MATERIAL NUMBER |
|  |         |                              | A3-SIZE | 200485                   | CUSTOMER        |
|  |         |                              |         |                          | GENERAL         |
|  |         |                              |         |                          | SHEET NUMBER    |
|  |         |                              |         |                          | 3 OF 3          |

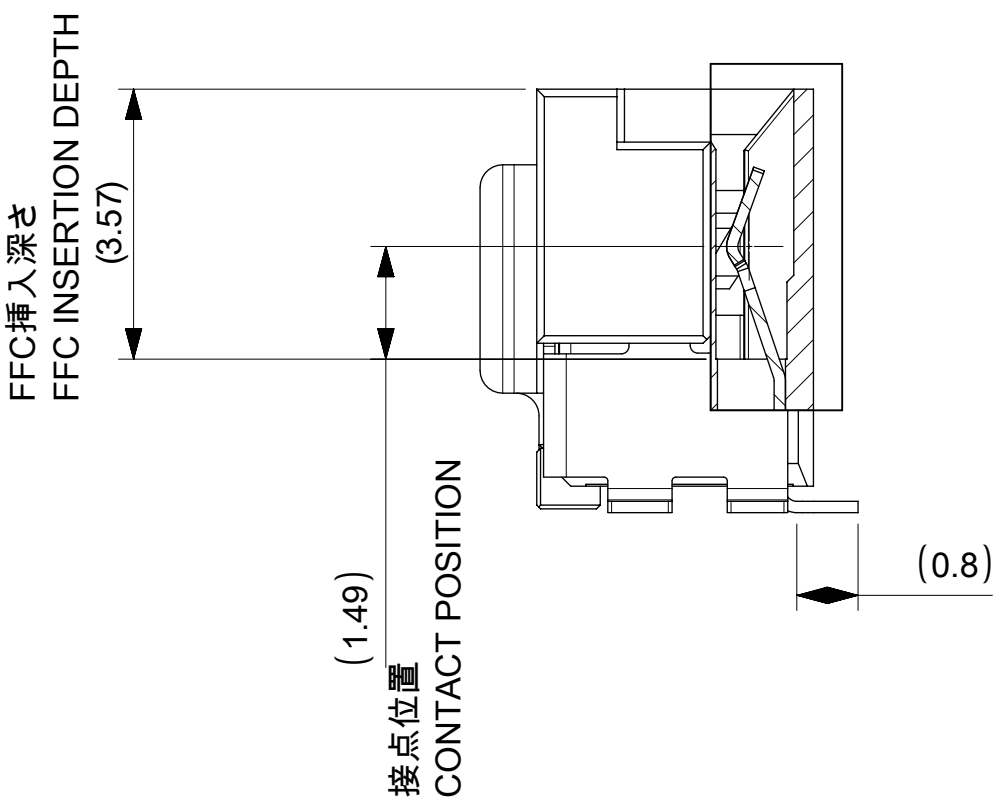


NOTES:

1.使用材料 MATERIAL  
 ハウジング：液晶ポリマー，ガラス充填，UL94V-0(黒)  
 HOUSING：LIQUID CRYSTAL POLYMER, GLASS FILLED, UL94V-0(BLACK)  
 ボタン：液晶ポリマー，ガラス充填，UL94V-0(ナチュラル)  
 BUTTON：LIQUID CRYSTAL POLYMER, GLASS FILLED, UL94V-0(NATURAL)  
 ターミナル：銅合金(t=0.15)  
 TERMINAL：COPPER ALLOY  
 ロックネイル：銅合金(t=0.15)  
 LOCK NAIL：COPPER ALLOY

2.めっき仕様 PLATING  
 ターミナル TERMINAL  
 接点部：金めっき 0.1μm以上  
 CONTACT AREA：GOLD 0.1 MICROMETER MINIMUM  
 半田付け部：金めっき  
 SOLDER TAIL AREA：GOLD  
 下地めっき：ニッケル 1.0μm以上  
 UNDERPLATE：NICKEL 1.0 MICROMETER MINIMUM  
 ロックネイル LOCK NAIL  
 錫めっき(1.0μm以上)  
 TIN PLATING (1.0 MICROMETER MIN.)

3.平坦度は0.1ミリ以下とする。  
 COPLANALITY TO BE 0.1 MAXIMUM.

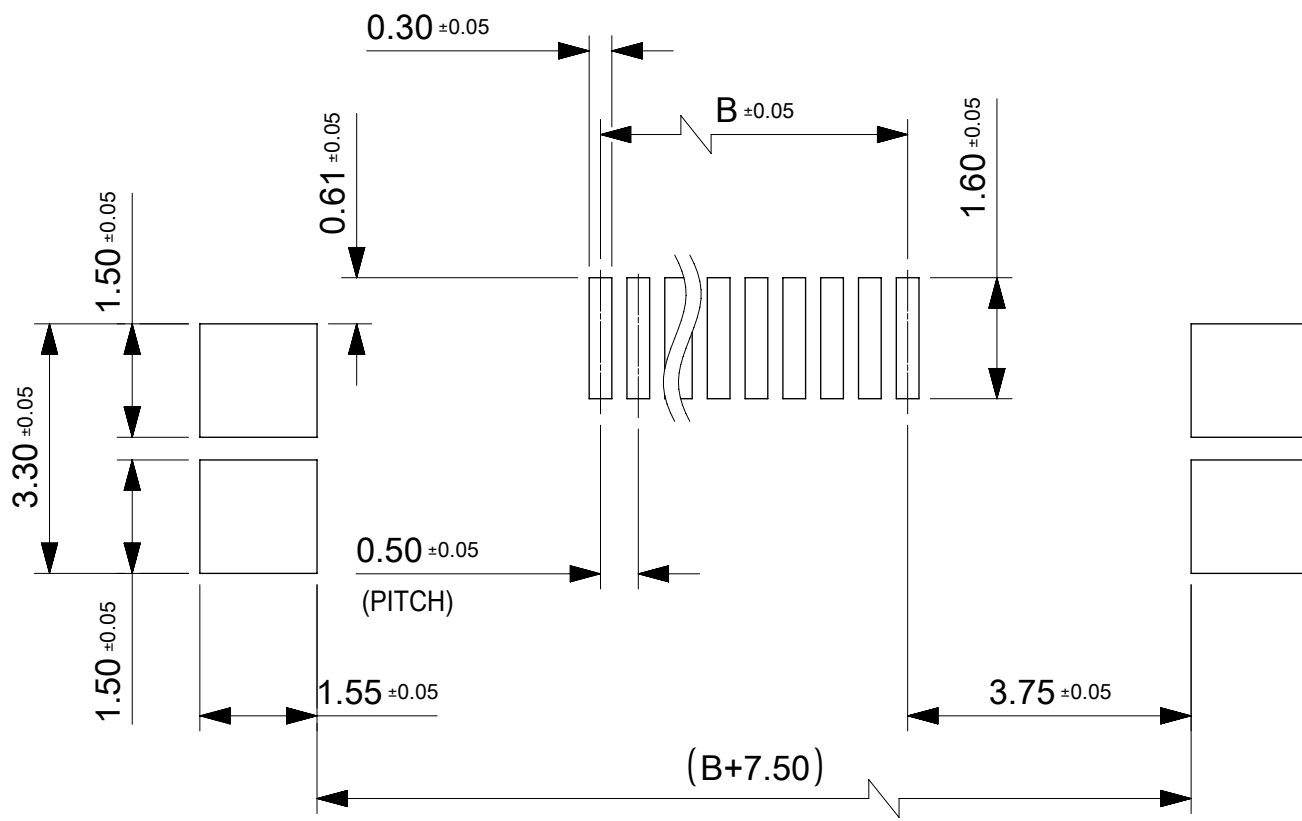


|                |      |      |      |       |                  |         |
|----------------|------|------|------|-------|------------------|---------|
| 1.301          | 43.5 | 49.2 | 39.5 | 49.49 | 2004850580       | 80      |
| 1.194          | 38.5 | 44.2 | 34.5 | 44.49 | 2004850570       | 70      |
| 1.053          | 33.5 | 39.2 | 29.5 | 39.49 | 2004850560       | 60      |
| 0.958          | 29   | 34.7 | 25   | 34.99 | 2004850551       | 51      |
| 0.942          | 28.5 | 34.2 | 24.5 | 34.49 | 2004850550       | 50      |
| 0.796          | 23.5 | 29.2 | 19.5 | 29.49 | 2004850540       | 40      |
| 0.702          | 21   | 26.7 | 17   | 26.99 | 2004850535       | 35      |
| 0.650          | 18.5 | 24.2 | 14.5 | 24.49 | 2004850530       | 30      |
| 0.504          | 13.5 | 19.2 | 9.5  | 19.49 | 2004850520       | 20      |
| 0.358          | 8.5  | 14.2 | 4.5  | 14.49 | 2004850510       | 10      |
| NET WEIGHT (g) | D    | C    | B    | A     | EMBOSSED PACKAGE | CIRCUIT |

CONNECTOR SERIES NO. 20048515\*\*

THIS DRAWING CONTAINS INFORMATION THAT IS PROPRIETARY TO MOLEX ELECTRONIC TECHNOLOGIES, LLC AND SHOULD NOT BE USED WITHOUT WRITTEN PERMISSION

|  |        |                   |                 |                                 |  |  |
|--|--------|-------------------|-----------------|---------------------------------|--|--|
| DIMENSION UNITS                                      | SCALE  | CURRENT REV DESC: |                 | <b>molex</b>                    |  |  |
| mm   | 5:1    |                   |                 |                                 |  |  |
| GENERAL TOLERANCES (UNLESS SPECIFIED)                |        |                   |                 | 0.5FFC CONN. ST ONE TOUCH ASS'Y |  |  |
| ANGULAR TOL  | ± 1.0° |                   |                 | PRODUCT CUSTOMER DRAWING        |  |  |
| 4 PLACES   | ± 0.1  | EC NO: 674194     | 2021/08/18      | DOCUMENT NUMBER                 |  |  |
| 3 PLACES   | ± 0.1  | DRWN: AHMADI2     | 2021/08/19      | DOC TYPE DOC PART REVISION      |  |  |
| 2 PLACES   | ± 0.1  | CHK'D: TKON       | 2021/08/19      | 2004851500                      |  |  |
| 1 PLACE  | ± 0.1  | APPR: SHOSHIKAWA  | 2021/08/19      | PSD 000 E                       |  |  |
| 0 PLACES   | ± 0.1  | INITIAL REVISION: |                 | SHEET NUMBER                    |  |  |
| DRAFT WHERE APPLICABLE MUST REMAIN WITHIN DIMENSIONS |        | DRWN: TYAMANE     | 2018/07/12      | SEE TABLE                       |  |  |
| THIRD ANGLE PROJECTION                               |        | APPR: RTAKEUCHI   | 2019/09/27      | GENERAL                         |  |  |
| DRAWING  |        | SERIES            | MATERIAL NUMBER | CUSTOMER                        |  |  |
| A3-SIZE  |        | 200485            | GENERAL         | 1 OF 2                          |  |  |



推奨PWB寸法

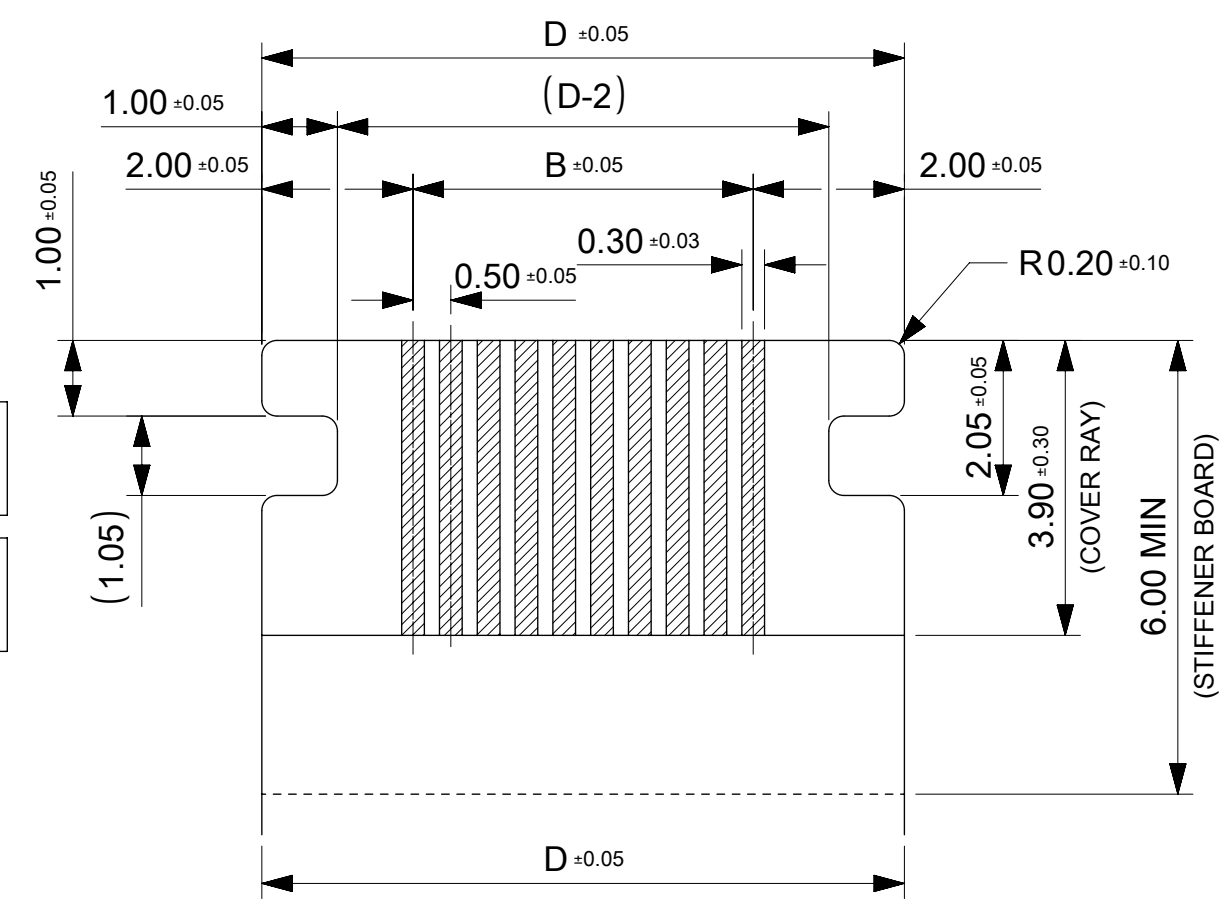
RECOMMENDED PWB DIMENSION

推奨メタルマスク厚、開口率 : t=0.12mm, 80%

RECOMMENDED METAL MASK THICKNESS, APERTURE RATIO : t=0.12mm, 80%

ロックネイル部開口率は100%

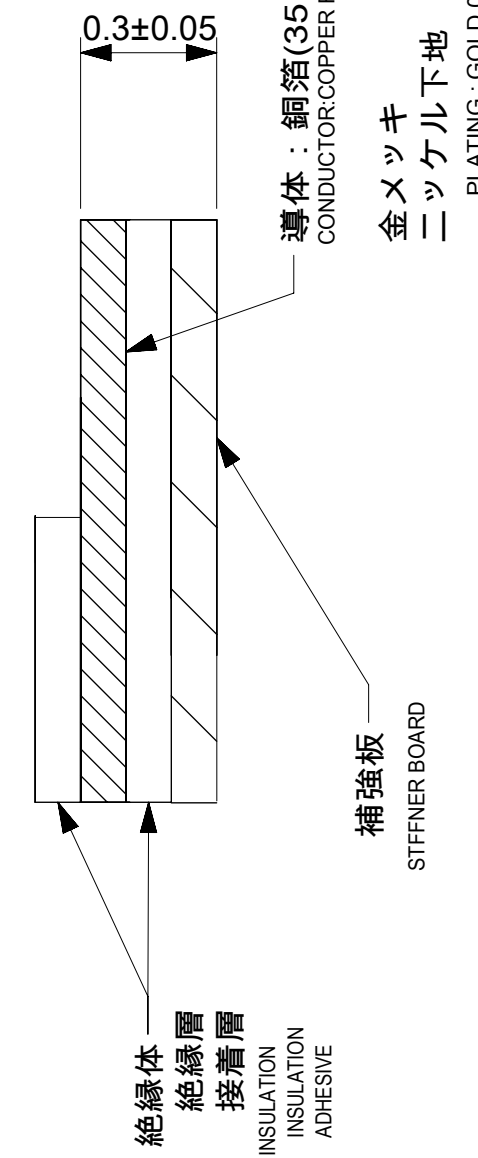
APERTURE RATIO FOR LOCK NAIL: 100%



推奨FFC寸法

RECOMMENDED FFC DIMENSION

抜き方向は導体側から補強版側を推奨します  
RECOMMENDED PUNCHING DIRECTION:  
FROM CONDUCTOR SIDE TO STIFFENER SIDE



絶縁体  
絶縁層  
接着層  
INSULATION  
INSULATION  
ADHESIVE

導体 : 銅箔(35 μm MIN.)  
CONDUCTOR: COPPER FOIL(35μm MIN.)

金メッキ  
ニッケル下地  
PLATING : GOLD 0.1μm MIN  
NICKEL UNDER 1-3μm

補強板  
STIFFENER BOARD

|   |         |                        |         |                                 |                 |          |              |              |  |  |
|---|---------|------------------------|---------|---------------------------------|-----------------|----------|--------------|--------------|--|--|
| THIS DRAWING CONTAINS INFORMATION THAT IS PROPRIETARY TO MOLEX ELECTRONIC TECHNOLOGIES, LLC AND SHOULD NOT BE USED WITHOUT WRITTEN PERMISSION |         |                        |         |                                 |                 |          |              | <b>molex</b> |  |  |
| DIMENSION UNITS   | SCALE   | CURRENT REV DESC:      |         | 0.5FFC CONN. ST ONE TOUCH ASS'Y |                 |          |              |              |  |  |
| mm  | 10:1    | EC NO: 674194          |         | 2021/08/18                      |                 |          |              |              |  |  |
| GENERAL TOLERANCES (UNLESS SPECIFIED)   |         | DRWN: AHMADI2          |         | 2021/08/19                      |                 |          |              |              |  |  |
| ANGULAR TOL   | ± 1.0 ° | CHK'D: TKON            |         | 2021/08/19                      |                 |          |              |              |  |  |
| 4 PLACES  | ± 0.1   | APPR: SHOSHIKAWA       |         | 2021/08/19                      |                 |          |              |              |  |  |
| 3 PLACES  | ± 0.1   | INITIAL REVISION:      |         | DOCUMENT NUMBER                 |                 |          |              |              |  |  |
| 2 PLACES  | ± 0.1   | DRWN: TYAMANE          |         | 2004851500                      |                 |          |              |              |  |  |
| 1 PLACE   | ± 0.1   | APPR: RTAKEUCHI        |         | PSD 000 E                       |                 |          |              |              |  |  |
| 0 PLACES  | ± 0.1   |                        |         | SERIES                          |                 |          |              |              |  |  |
| DRAFT WHERE APPLICABLE MUST REMAIN WITHIN DIMENSIONS  |         | THIRD ANGLE PROJECTION | DRAWING | SERIES                          | MATERIAL NUMBER | CUSTOMER | SHEET NUMBER |              |  |  |
|   |         | ⊕                      | A3-SIZE | 200485                          | SEE TABLE       | GENERAL  | 2 OF 2       |              |  |  |