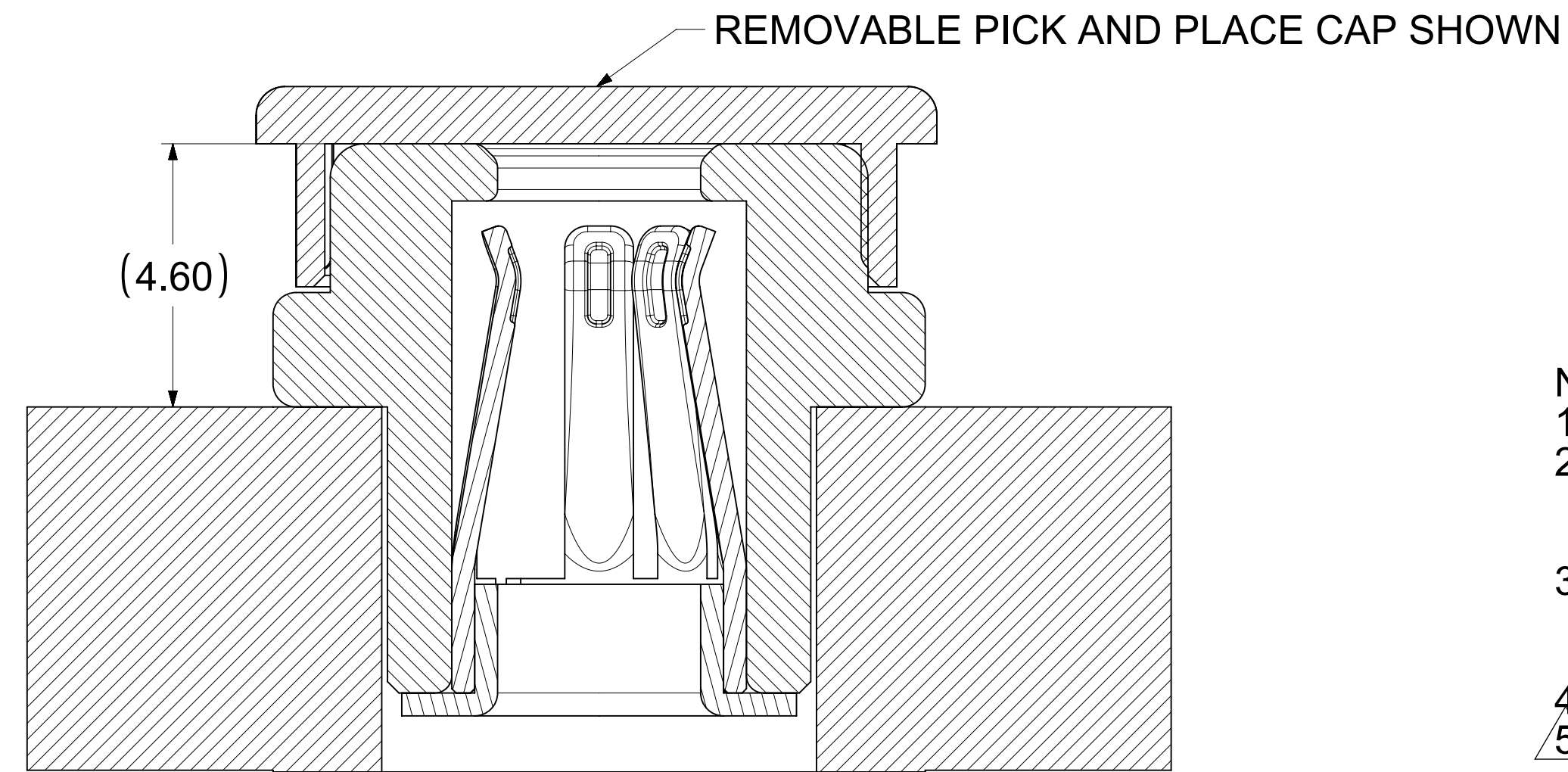
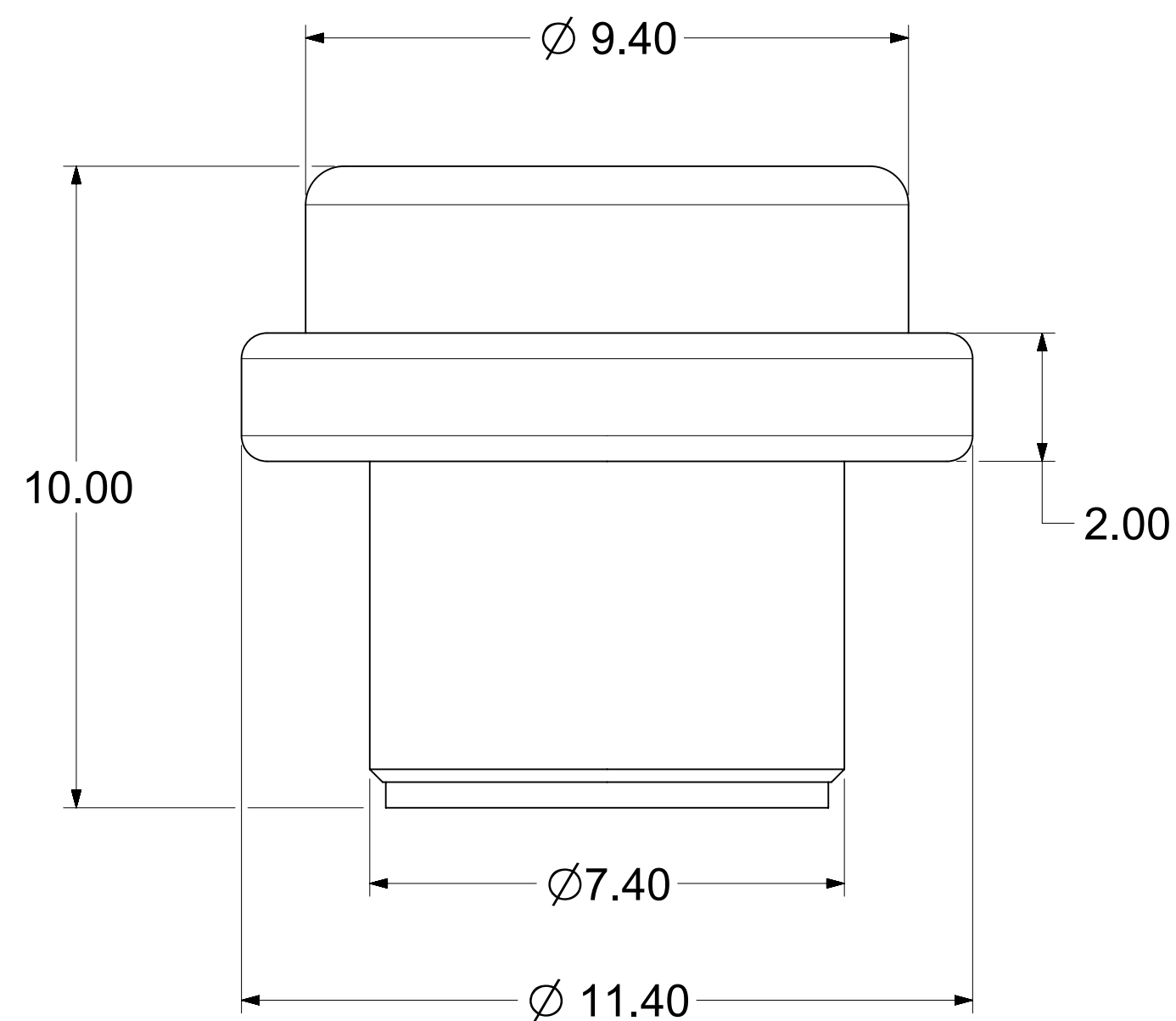


MATING PROFILE



SECTION A-A

NOTES:

1. MATERIALS: COPPER ALLOY
2. PLATING:
 - i. CONTACT AREA: GOLD.
 - ii. REST: SILVER WITH TARNISH INHIBITOR
3. MATES WITH THE STANDARD PIN DRAWINGS:
 - i. 3.4MM SMT DRAWING 2032631134-SD, MIN. MATE DISTANCE 7.35MM
 - ii. 3.4MM PRESS FIT DRAWING 2032630034-SD, MIN. MATE DISTANCE 7.10MM
4. PRODUCT SPECIFICATION: 2043130018-PS
5. APPLICATION SPECIFICATION: 2043130018-AS.
SEE APPLICATION SPEC FOR SOLDERING INFORMATION.
6. PACKAGING SPECIFICATION: 2043180018-PK.
7. SILVER COMPONENTS WILL BE SUPPLIED TARNISH FREE BUT MAY TARNISH OVER TIME.

THIS DRAWING CONTAINS INFORMATION THAT IS PROPRIETARY TO MOLEX ELECTRONIC TECHNOLOGIES, LLC AND SHOULD NOT BE USED WITHOUT WRITTEN PERMISSION									
DIMENSION UNITS	SCALE	CURRENT REV DESC: INITIAL RELEASE							
mm	NTS	molex							
GENERAL TOLERANCES (UNLESS SPECIFIED)		3.4MM CST STANDARD SMT							
ANGULAR TOL	± °	PRODUCT CUSTOMER DRAWING							
4 PLACES	±	EC NO: 618198							
3 PLACES	±	DRWN: FCSOO	2018/08/21						
2 PLACES	± 0.15	CHK'D: BPISZCZOR	2019/05/30						
1 PLACE	± 0.25	APPR: BPISZCZOR	2019/05/30						
0 PLACES	±	INITIAL REVISION:							
DRAFT WHERE APPLICABLE MUST REMAIN WITHIN DIMENSIONS		DRWN: FCSOO	2018/08/21						
THIRD ANGLE PROJECTION		APPR: BPISZCZOR	2019/05/30						
DRAWING		D-SIZE		SERIES	MATERIAL NUMBER	CUSTOMER	SHEET NUMBER		
				204318	2043180018	GENERAL MARKET	1 OF 1		