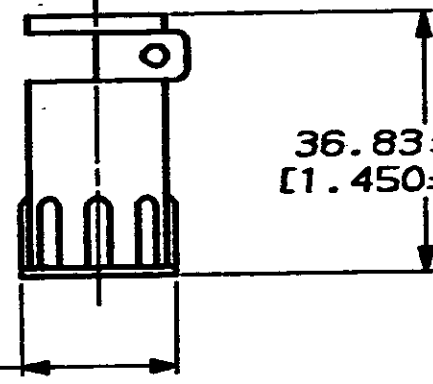
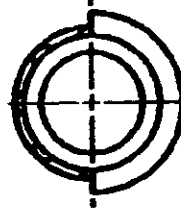


DRAWING MADE IN THIRD ANGLE PROJECTION



REV	LOC	QTY	REVISIONS				DATE	APPROVED
23	BD	39	P	F	LTR	DESCRIPTION	DATE	APPROVED
			✓	✓	B	REDRAWN	4/2/91	-



21.59 ± 0.64 DIA
[0.850 ± 0.025]

36.83 ± 0.76
[1.450 ± 0.030]

THIS DRAWING IS UNPUBLISHED. RELEASED FOR PUBLICATION BY AMP INCORPORATED. ALL INTERNATIONAL RIGHTS RESERVED. © COPYRIGHT 19

206357-1
PART NO

DO NOT SCALE PRINT. UNLESS SPECIFIED DIMENSIONS IN IN (IN) TOLERANCES ON: 2 PLC DEC ± - 19 PLC DEC ± - ANGLES ± -	DR 4/2/91 A. GRAY	AMP Incorporated Harrisburg, PA 17105-3608
	CHK 3-4-92 W. LINDER	
MATERIAL THERMOPLASTIC BLACK	APPD 3-4-92 K. BEASER APPD 3-4-92 C. ROSE PRODUCT SPEC -	SIZE A
FINISH -	APPLICATION SPEC -	CASE CODE 00779
WEIGHT -	SCALE 1:1	DRAWING NO 206357
		SHEET 1 of 1

CUSTOMER DRAWING