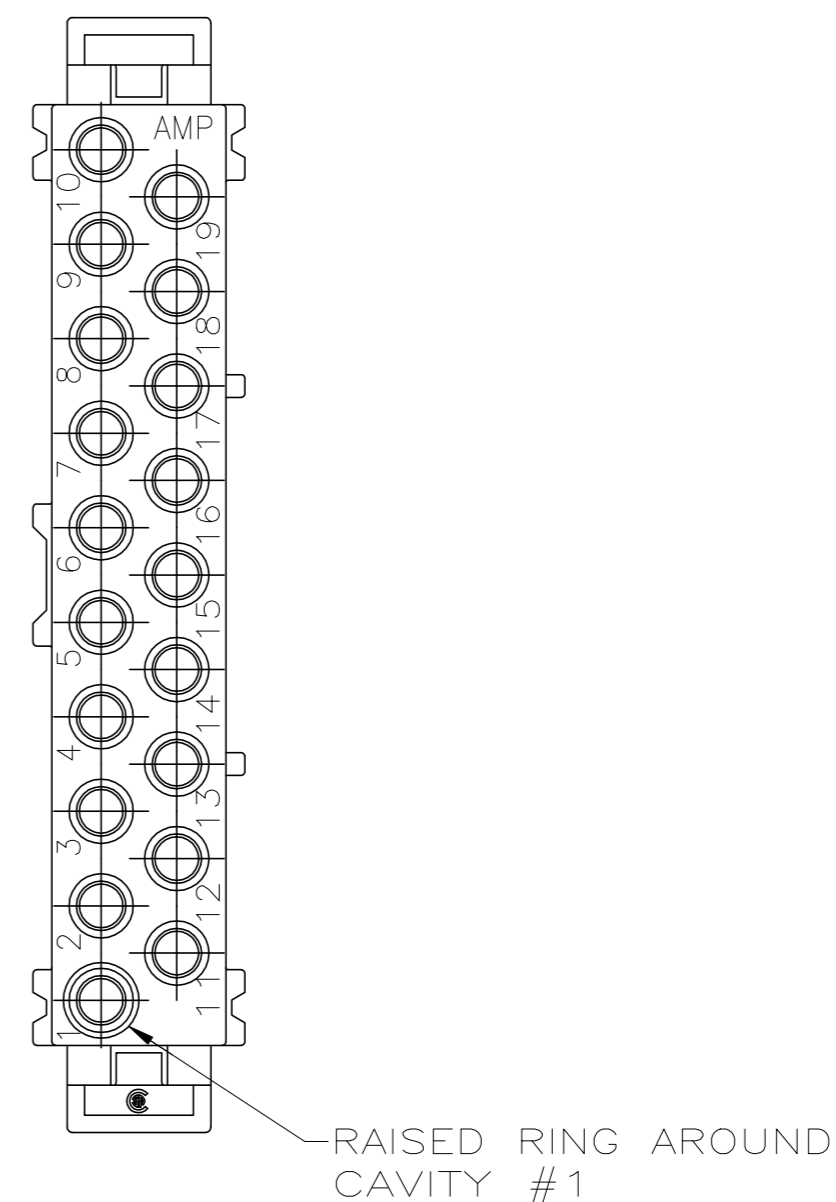
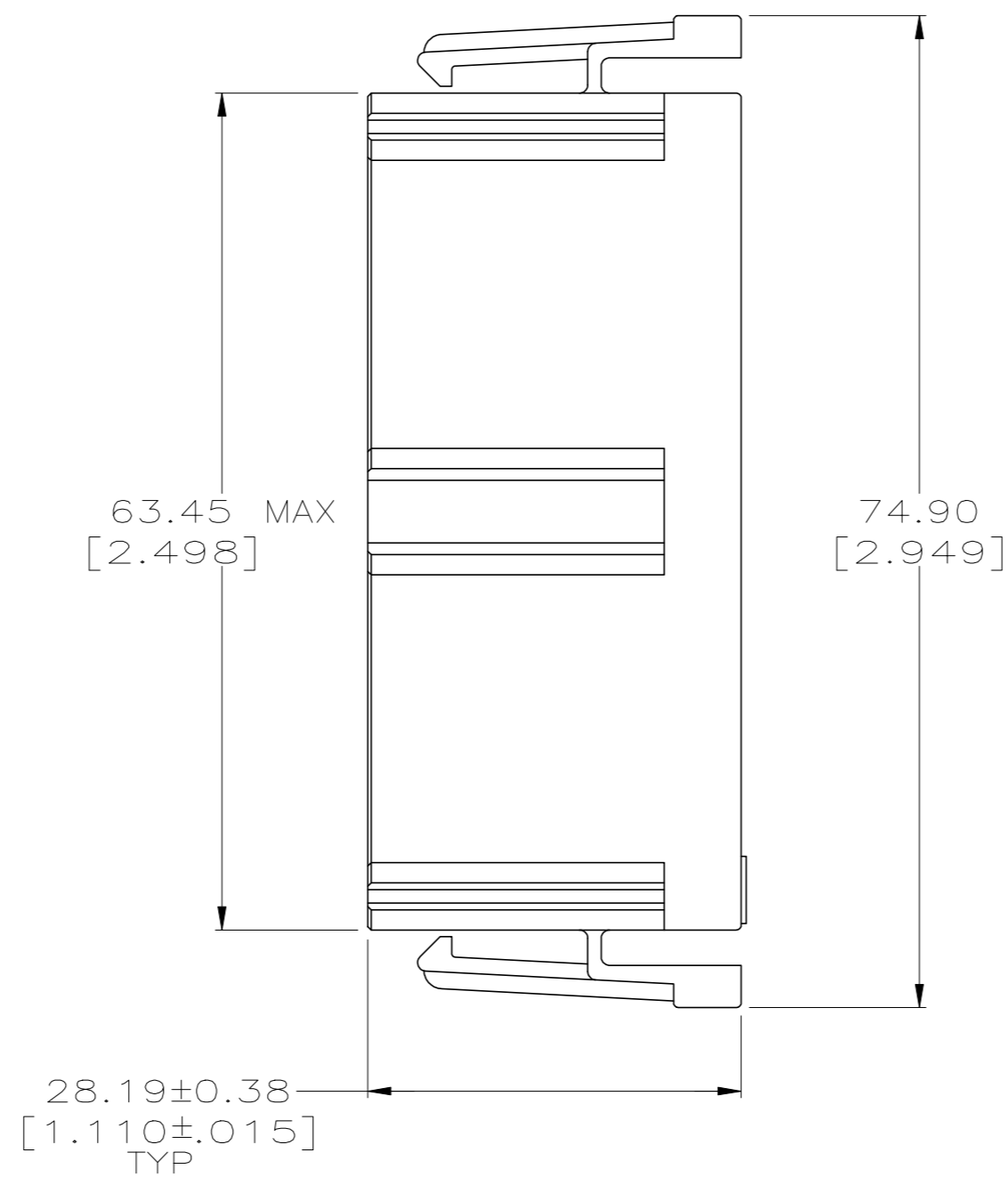
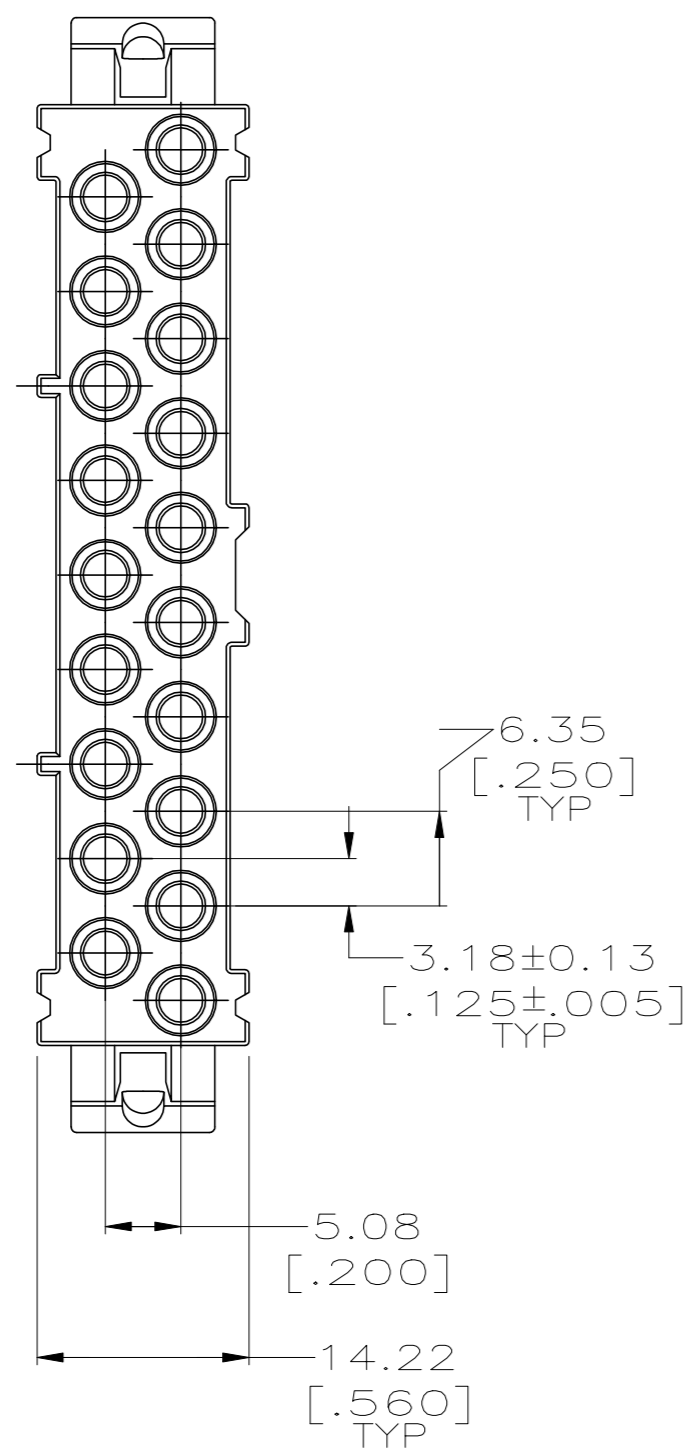


THIS DRAWING IS UNPUBLISHED. RELEASED FOR PUBLICATION  
 © COPYRIGHT - TE Connectivity Ltd. ALL RIGHTS RESERVED.

REVISIONS				
P	LTR	DESCRIPTION	DATE	APVD
-	-		-	-



NOTE:  
 1 HOUSING MATERIAL: PA66, BLACK, UL 94 V-0 RATED

208100-1  
 PART NO.

THIS DRAWING IS A CONTROLLED DOCUMENT.		DWN L.SIPE 03/16/92	TE Connectivity	
DIMENSIONS: INCHES		CHK R.STONE 3-18-92		
		APVD C.RÖHDE/A.TRAVIS 3-18-92	NAME	
0 PLC ± - 1 PLC ± - 2 PLC ± 0.25 [.010] 3 PLC ± - 4 PLC ± - ANGLES ± -		PRODUCT SPEC	HOUSING, PLUG, 19 POSN, METRIMATE	
MATERIAL		APPLICATION SPEC	SIZE	RESTRICTED TO
1		WEIGHT	A2 00779	-
		CUSTOMER DRAWING	DRAWING NO C=208100	
		SCALE	SHEET	REV
		2:1	1 of 1	E