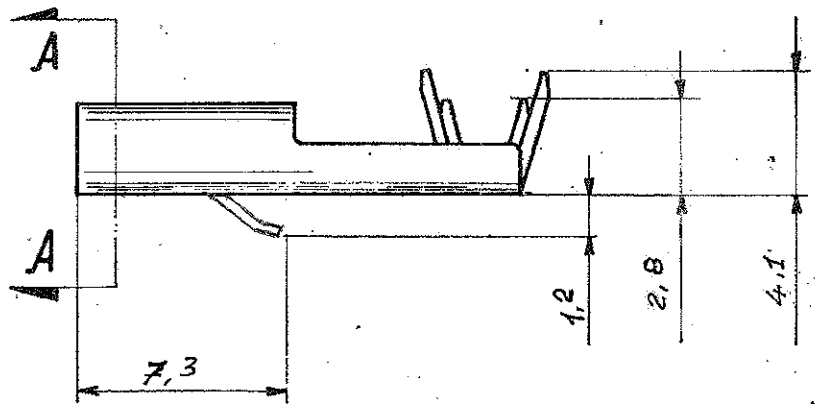
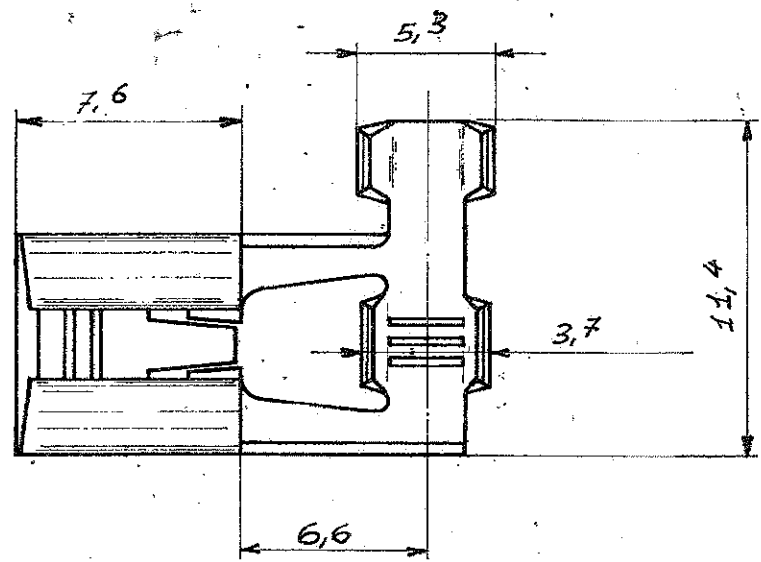
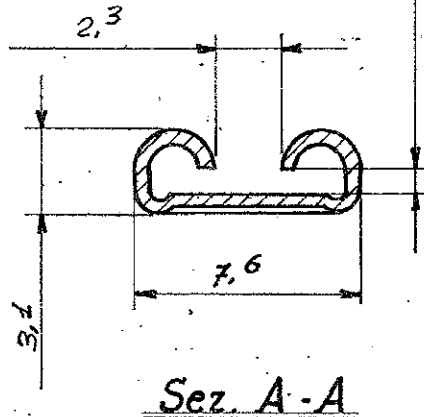


C-280357	ADATTO PER APPLIC. STANDARD (FOR STANDARD APPLICATOR)		ADATTO PER MINI APPLICATOR (FOR MINI APPLICATOR)		
	N° PART.	MATERIALE/FINITURA (PART/NUMBER)	N° PART.	MATERIALE/FINITURA (PART/NUMBER)	
	<del>280357-1</del>	<del>BRONZO FOSFOROSO (PHOSPH. BRASS)</del>	<del>280428-1</del>	<del>BRONZO FOSFOROSO (PHOSPH. BRASS)</del>	<del>OBSOLETE</del>
	280357-2	BRONZO FOSF. STAGNATO (TIN PL. PH. BR.)	280428-2	BRONZO FOSF. STAGNATO (TIN PL. PH. BR.)	
	280357-3	OTTONE (BRASS)	280428-3	OTTONE (BRASS)	OBSOLETE
	<del>280357-4</del>	<del>OTTONE STAGNATO (FIN PL. BRASS)</del>	280428-4	OTTONE STAGNATO (TIN PL. BRASS)	
		280428-4	OTTONE STAGNATO (TIN PL. BRASS)	OBSOLETE	

OBSOLETE

Adatto per linguetta di sp. 0.8  
(TO FIT 0.8 mm TAB THK)



DIMENSIONS IN MM. DO NOT SCALE PRINT

© 1973 BY AMP INCORPORATED. ALL RIGHTS RESERVED. AMP PRODUCTS COVERED BY PATENTS AND/OR PATENTS PENDING.		CUSTOMER COPY REFERENCE ONLY	
MATERIAL AND FINISH		TE Connectivity	
VEDERE TABELLA (SEE TABLE)			
WIRE RANGE - INSULATION 0.5 ± 0.15 mm <sup>2</sup>   3.3 Ø MAX		CLASS	.250 SERIES
TOLERANCE EXCEPT AS NOTED 3, 0, 4		TYPE	F. F.
SCALE 4:1		LOC	I A
DATE 18/12/74		NO	C-280357
APP. [Signature]		REV	N2
.250 SERIES FLAG FASTEN-ON REC.			

N2	REVISED PER ECR-17-013054	BDA	TD	22NOV2017
LTR	REVISION RECORD	DR	CHK	DATE
DR	9-1-73	DR	18/12/74	
CHK	18/12/74	APP.		