

- 1
- 2
- 3
- 4
- 5
- 6
- 7
- 8
- 9
- 10
- 11
- 12
- 13
- 14
- 15
- 16
- 17
- 18

MATERIAL

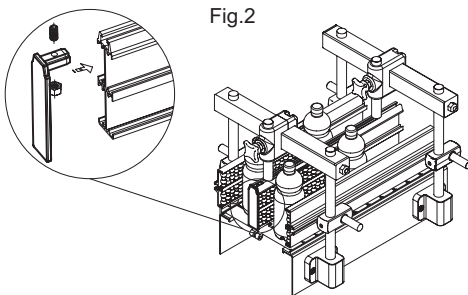
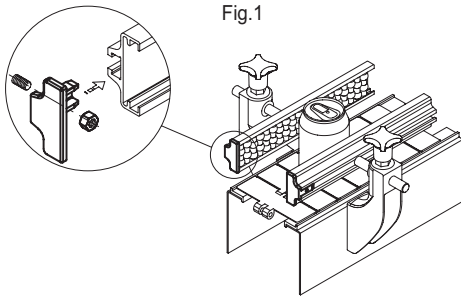
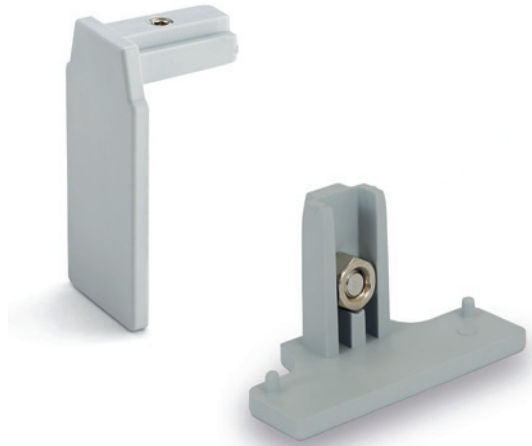
Polyamide-based (PA) technopolymer, grey colour.

SCREW AND NUT

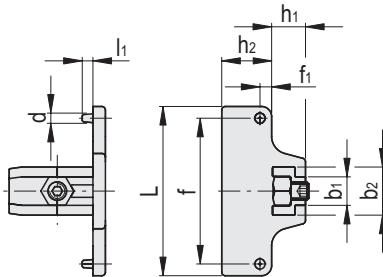
AISI 304 stainless steel

FEATURES AND APPLICATIONS

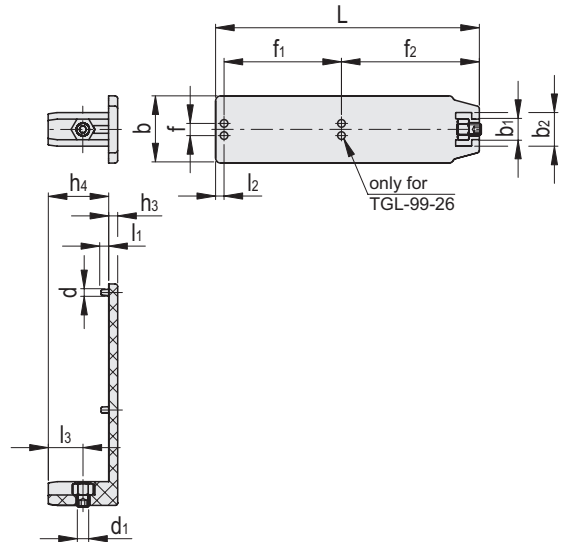
TGL closing cap is used at the ends of GLA side guides (Fig.1) and GCA central guides (Fig.2).



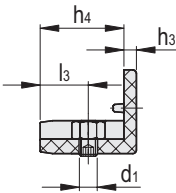
TGL-24-48
TGL-24-93



TGL-57-26
TGL-99-26



Conversion Table	
1 mm = 0.039 inch	
L	
mm	inch
47.5	1.85
93	3.63
57.4	2.24
102.7	4.00



Code	Description	d	d1	f1	L	f	f2	b	b1	b2	h1	h2	h3	h4	l1	l2	l3	Δ
419143	TGL-24-48	2.5	M5	3.2	47.5	40.9	-	-	8	13.5	9.5	14	3.5	23.5	3	-	13.5	10
419144	TGL-24-93	2.5	M5	3.2	93	86	-	-	8	13	9.5	14	3.5	23.5	3	-	13.5	16
419142	TGL-57-26	2.5	M5	-	57.4	4.7	-	26.2	8	13	-	-	3.5	23.5	3	3.3	13.5	11
419140	TGL-99-26	2.5	M5	45.7	102.7	4.7	53.7	26.2	8	13	-	-	3.5	23.5	3	3.3	13.5	17