

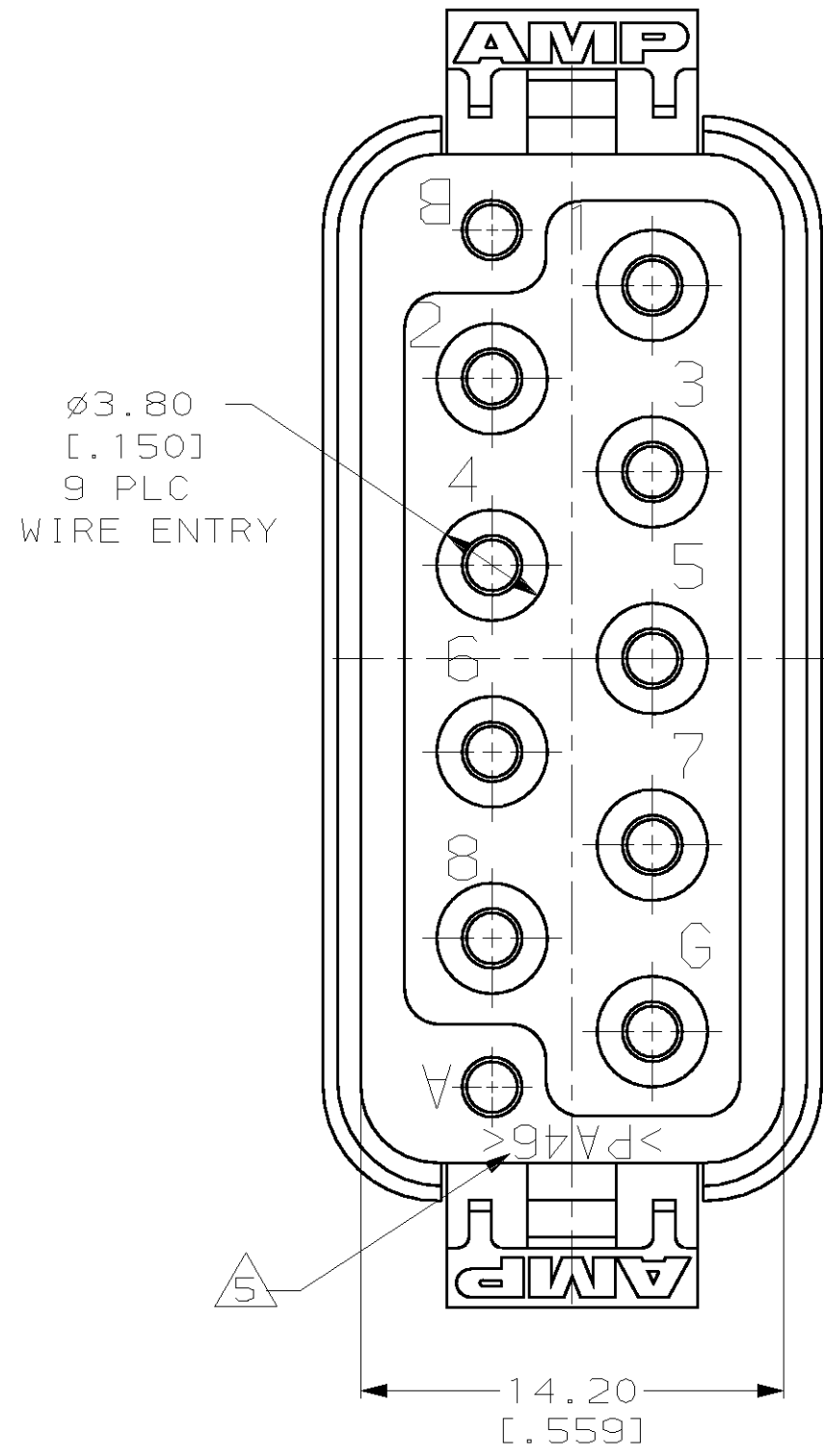
THIS DRAWING IS UNPUBLISHED. RELEASED FOR PUBLICATION .19
 (C) COPYRIGHT 19 BY AMP INCORPORATED. ALL RIGHTS RESERVED.

PROD 4085
 LOC DF
 DIST 50

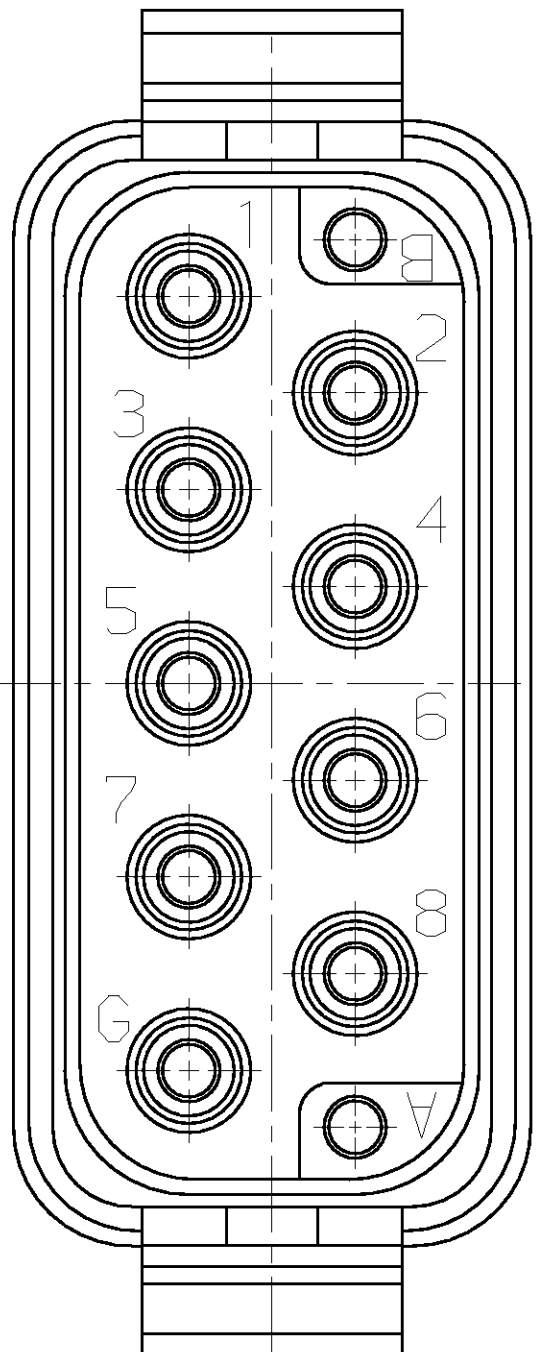
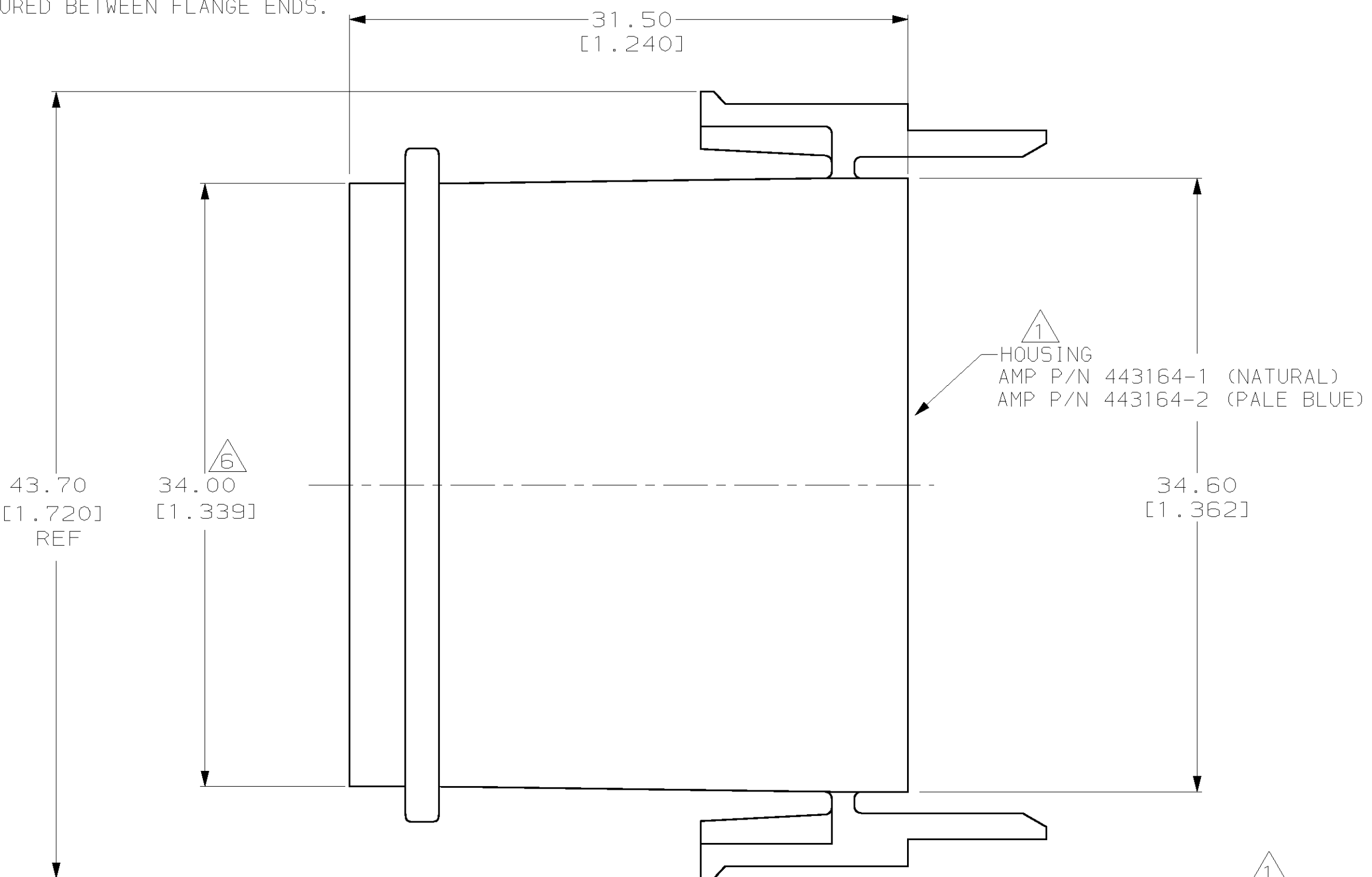
REVISIONS					
P	LTR	DESCRIPTION	DATE	DWN	APVD
C		REVISED PER 0600-5893-96	4-97	CCT	CS
D		REV PER 0600-8018-98	3-99	JB	ML

RECOMMENDED KEYING		
OPTION	A	B
#1	EMPTY	LONG
#2	LONG	EMPTY
#3	SHORT	SHORT

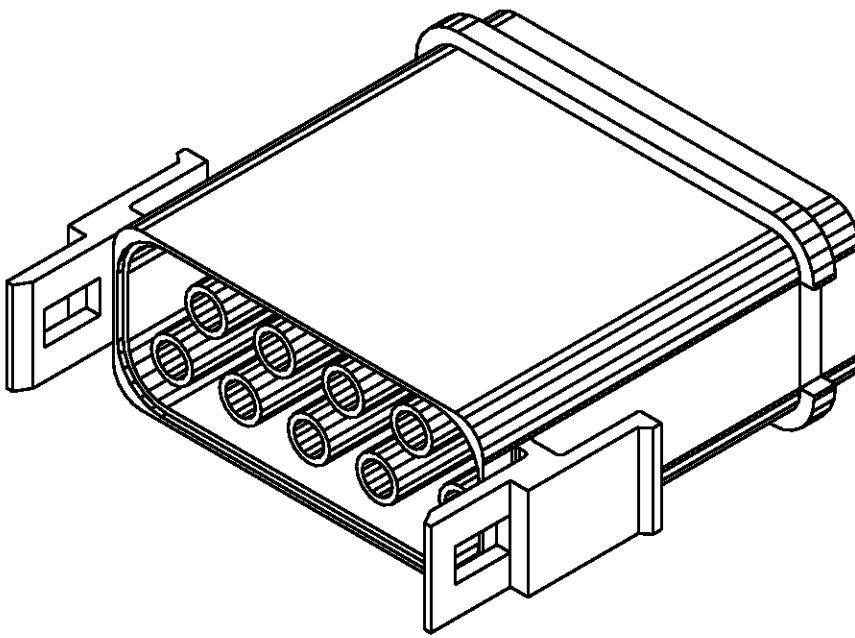
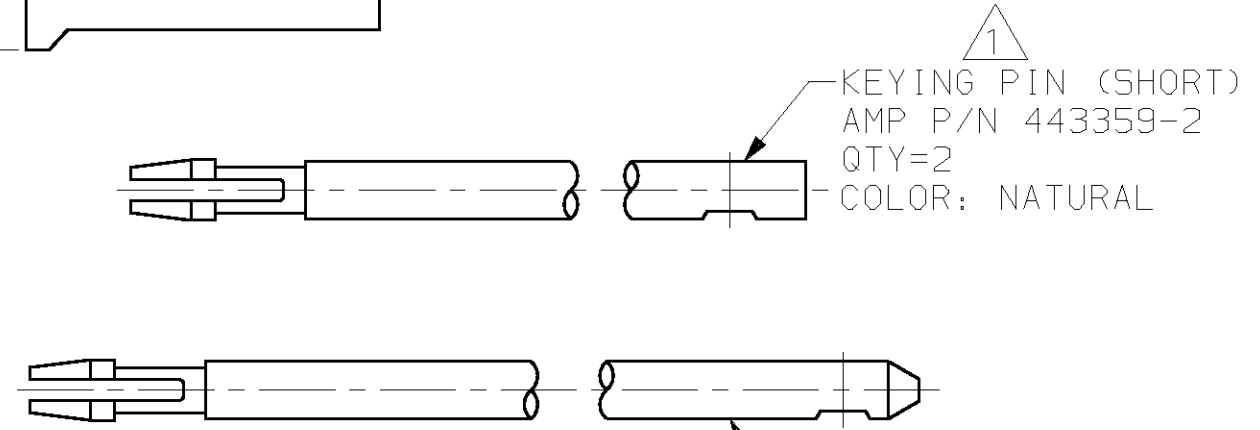
- 1 MAT'L: 4/6 NYLON UL 94V-2 MLDG. CMPD. COLOR: SEE TABLE.
- 2 MAT'L: BRASS PER ASTM-B-16
- 3 MAT'L: STAINLESS STEEL PER QQ-S-766
- 4 FINISH: TIN PLATED PER MIL-T-10727
- 5 DFE DETAIL SYMBOL (>PA46<) IS FOR RECYCLING IDENTIFICATION ONLY, NOT A PART NUMBER.
- 6 MEASURED BETWEEN FLANGE ENDS.



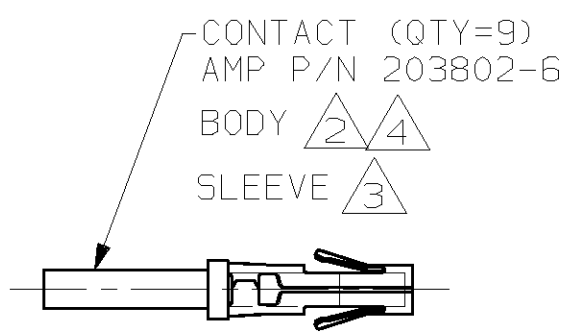
REAR VIEW



FRONT VIEW



ISOMETRIC VIEW
SCALE: NTS



NATURAL	443161-2
PALE BLUE	443161-1
HOUSING COLOR	PART NUMBER

DIMENSIONS:		TOLERANCES UNLESS OTHERWISE SPECIFIED:	
mm [INCHES]			
0 PLC	±		
1 PLC	±		
2 PLC	±0.20 [0.008]		
3 PLC	±		
4 PLC	±		
ANGLES	±		
FINISH	SEE TABLE		

DWN	C.C. THOMAS	7-27-95
CHK	C. SHELLY	7-27-95
APVD	C. SHELLY	7-27-95
NAME		
AMP Incorporated Harrisburg, PA 17105-3608		
KIT, PLUG, 9 POSN., LGH		
SIZE	A2	
CAGE CODE	00779	
DRAWING NO	C-443161	
SCALE	4:1	
SHEET	1 OF 1	
REV	D	