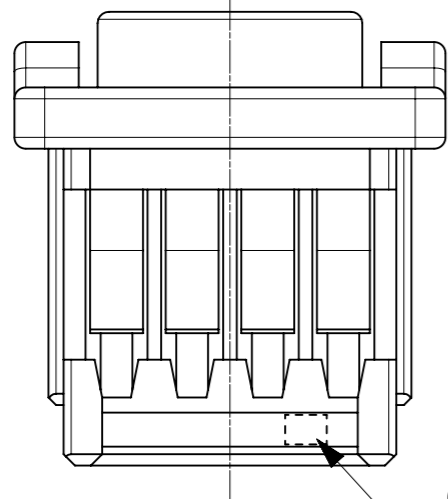
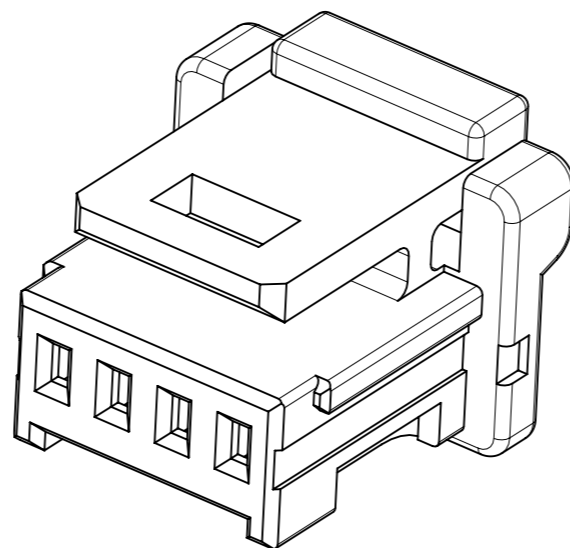
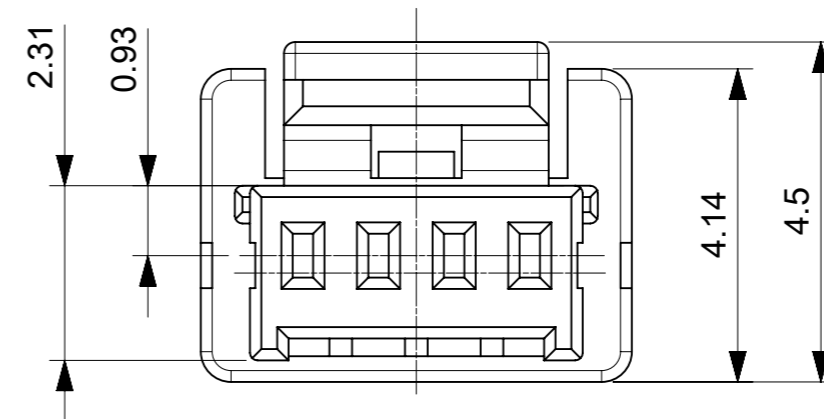
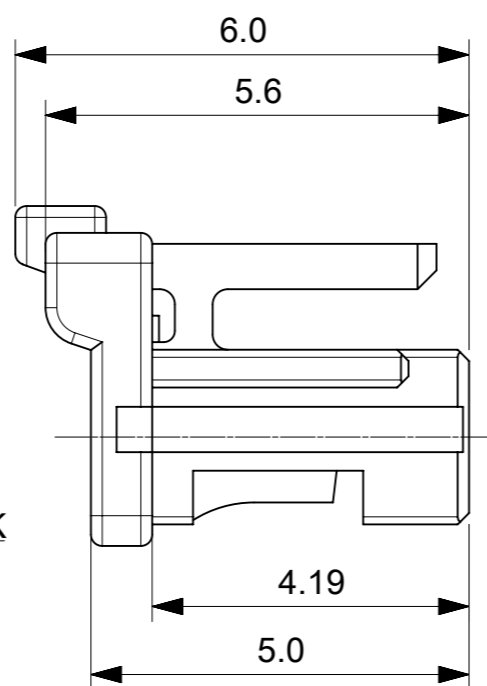
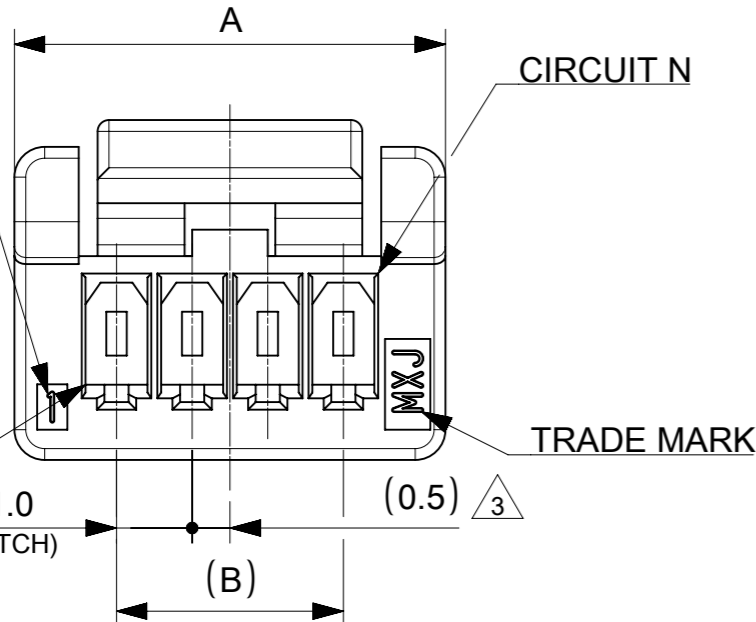
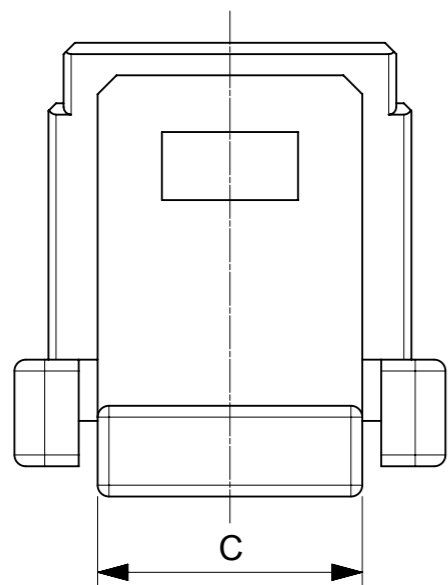


NOTES

- △1 材料：TABLE 1 参照
MATERIAL：SEE TABLE 1
- △2 本製品の適合嵌合相手及び各製品仕様書はSHEET 2 及び SHEET 3を御参照ください。
REFER TO SHEET 2 OR SHEET 3 FOR APPLICABLE PRODUCTS AND VARIOUS SPECIFICATIONS.
- △3 偶数極に適用
APPLY FOR EVEN CIRCUIT
- △4 発注番号：TABLE 2 参照
ORDER No.：SEE TABLE 2
- 5. 梱包仕様書：SPK-501939-001
PACKING SPECIFICATION：

501939 ** **

極数 CIRCUIT SIZE	ハウジングカラー HOUSING COLOR
	00:NATURAL(WHITE)
	31:BLACK



△4 TABLE 2

			HOUSING COLOR		
			BLACK	NATURAL(WHITE)	
3.5	4.0	6.7	501939 0531	501939 0500	5
	3.0	5.7	501939 0431	501939 0400	4
2.5	2.0	4.7	501939 0331	501939 0300	3
C	B	A	発注番号 ORDER No.		極数 CIRCUIT SIZE
極数別 寸法 DIMENSION			梱包形態：ポリ袋 PACKAGE:POLYBAG		

△1 TABLE 1

部品 PART	材質 MATERIAL
ハウジング HOUSING	ポリアミド(PA), UL94V-0, LOW HALOGEN, 色：SEE TABLE 2 POLYAMIDE(PA), UL94V-0, LOW HALOGEN, COLOR：SEE TABLE 2

DOCUMENT STATUS	P1	RELEASE DATE	2021/04/06	10:46:36
-----------------	----	--------------	------------	----------

THIS DRAWING CONTAINS INFORMATION THAT IS PROPRIETARY TO MOLEX ELECTRONIC TECHNOLOGIES, LLC AND SHOULD NOT BE USED WITHOUT WRITTEN PERMISSION

DIMENSION UNITS	SCALE	CURRENT REV DESC: REVISED	molex		
mm	NTS				
GENERAL TOLERANCES (UNLESS SPECIFIED)			PICO-CLASP 1.0 WTB CONN SINGLE ROW REC HSG OUTER LOCK		
ANGULAR TOL	± 3.0°	EC NO: 658660	PRODUCT CUSTOMER DRAWING		
4 PLACES	± 0.2	DRWN: MIKEDA01 2021/04/06	DOCUMENT NUMBER		
3 PLACES	± 0.2	CHK'D: SAKIYAMA 2021/04/06	DOC TYPE		
2 PLACES	± 0.2	APPR: KOMURAKAMI 2021/04/06	DOC PART		
1 PLACE	± 0.2	INITIAL REVISION:	REVISION		
0 PLACES	± 0.2	DRWN: AISHIKAWA 2019/03/15	5019390000-SD		
		APPR: KOMURAKAMI 2019/04/03	PSD 000 E		
DRAFT WHERE APPLICABLE MUST REMAIN WITHIN DIMENSIONS		THIRD ANGLE PROJECTION	DRAWING	SERIES	MATERIAL NUMBER
			A3-SIZE	501939	501939****
			CUSTOMER	GENERAL	
					SHEET NUMBER
					1 OF 3

△ 2 適合製品及び各種仕様書 (標準仕様)

APPLICABLE PRODUCTS AND VARIOUS SPECIFICATIONS (STANDARD TYPE)

適合圧着端子 APPLICABLE CRIMP TERMINAL	PART NUMBER	PLATING TYPE		WIRE SIZE(AWG)
	501334 0000	TIN (THICKNESS) [MICRO-METER MIN]	1.0	#28 - #32
	501193 7000	GOLD (THICKNESS) [MICRO-METER MIN]	FLASH	
	501193 8000		0.38	
	501193 9000		0.76	

列 ROW	SINGLE							
	SMT				SMT			
適合嵌合相手 MATE WITH	VERTICAL	RIGHT ANGLE	VERTICAL			RIGHT ANGLE		
	TIN (THICKNESS) [MICRO-METER MIN]	TIN (THICKNESS) [MICRO-METER MIN]	GOLD (THICKNESS) [MICRO-METER MIN]			GOLD (THICKNESS) [MICRO-METER MIN]		
	1.0	1.0	0.1	0.38	0.76	0.1	0.38	0.76
シリーズ番号 SERIES No.	501940 **07	501953 **07	501940 **03	203560 **03	203561 **03	501953 **05	203562 **05	203563 **05
製品仕様書 PRODUCT SPECIFICATION	PS-501940-001				5019390000-PS 001			
取扱説明書 APPLICATION SPECIFICATION	5013300000-AS 000							

※製品嵌合図は各"適合嵌合相手"図面参照のこと
MATING VIEW:REFER TO EACH "MATE WITH" PART DRAWING.

THIS DRAWING CONTAINS INFORMATION THAT IS PROPRIETARY TO MOLEX ELECTRONIC TECHNOLOGIES, LLC AND SHOULD NOT BE USED WITHOUT WRITTEN PERMISSION									
DIMENSION UNITS	SCALE	CURRENT REV DESC: REVISED						molex	
mm	NTS								
GENERAL TOLERANCES (UNLESS SPECIFIED)								PICO-CLASP 1.0 WTB CONN SINGLE ROW REC HSG OUTER LOCK	
ANGULAR TOL	± 3.0 °							PRODUCT CUSTOMER DRAWING	
4 PLACES	± 0.2	EC NO: 658660							
3 PLACES	± 0.2	DRWN: MIKEDA01	2021/04/06						
2 PLACES	± 0.2	CHK'D: SAKIYAMA	2021/04/06						
1 PLACE	± 0.2	APPR: KOMURAKAMI	2021/04/06						
0 PLACES	± 0.2	INITIAL REVISION:				DOCUMENT NUMBER		DOC TYPE	DOC PART
		DRWN: AISHIKAWA	2019/03/15			5019390000-SD		PSD	000
		APPR: KOMURAKAMI	2019/04/03						E
DRAFT WHERE APPLICABLE MUST REMAIN WITHIN DIMENSIONS	THIRD ANGLE PROJECTION	DRAWING	SERIES	MATERIAL NUMBER	CUSTOMER	SHEET NUMBER			
		A3-SIZE	501939	501939****	GENERAL	2 OF 3			

△ 2 適合製品及び各種仕様書 (ローハロゲン仕様)
 APPLICABLE PRODUCTS AND VARIOUS SPECIFICATIONS (LOW HALOGEN TYPE)

列 ROW	SINGLE							
	SMT				SMT			
	VERTICAL	RIGHT ANGLE	VERTICAL	RIGHT ANGLE				
適合嵌合相手 MATE WITH	TIN (THICKNESS) [MICRO-METER MIN]	TIN (THICKNESS) [MICRO-METER MIN]	GOLD (THICKNESS) [MICRO-METER MIN]			GOLD (THICKNESS) [MICRO-METER MIN]		
	1.0	1.0	0.1	0.38	0.76	0.1	0.38	0.76
シリーズ番号 SERIES No.	208383 ***9	208385 ***9	208383 ***7	208383 ***5	208383 ***3	208385 ***7	208385 ***5	208385 ***3
製品仕様書 PRODUCT SPECIFICATION	5019390000-PS 002				5019390000-PS 003			
取扱説明書 APPLICATION SPECIFICATION	5013300000-AS 001							

- ※製品嵌合図は各"適合嵌合相手"図面参照のこと
 MATING VIEW:REFER TO EACH "MATE WITH" PART DRAWING.
- ※適合圧着端子は標準仕様と共通になります
 THE APPLICABLE CRIMP TERMINAL ARE THE SAME THE STANDARD.

THIS DRAWING CONTAINS INFORMATION THAT IS PROPRIETARY TO MOLEX ELECTRONIC TECHNOLOGIES, LLC AND SHOULD NOT BE USED WITHOUT WRITTEN PERMISSION										
DIMENSION UNITS	SCALE	CURRENT REV DESC: REVISED					molex			
mm	NTS						PICO-CLASP 1.0 WTB CONN SINGLE ROW REC HSG OUTER LOCK			
GENERAL TOLERANCES (UNLESS SPECIFIED)							PRODUCT CUSTOMER DRAWING			
ANGULAR TOL	± 3.0 °									
4 PLACES	± 0.2	EC NO: 658660								
3 PLACES	± 0.2	DRWN: MIKEDA01	2021/04/06							
2 PLACES	± 0.2	CHK'D: SAKIYAMA	2021/04/06							
1 PLACE	± 0.2	APPR: KOMURAKAMI	2021/04/06							
0 PLACES	± 0.2	INITIAL REVISION:				DOCUMENT NUMBER		DOC TYPE	DOC PART	REVISION
		DRWN: AISHIKAWA	2019/03/15			5019390000-SD		PSD	000	E
		APPR: KOMURAKAMI	2019/04/03							
DRAFT WHERE APPLICABLE MUST REMAIN WITHIN DIMENSIONS	THIRD ANGLE PROJECTION	DRAWING	SERIES	MATERIAL NUMBER	CUSTOMER	SHEET NUMBER				
		A3-SIZE	501939	501939****	GENERAL	3 OF 3				