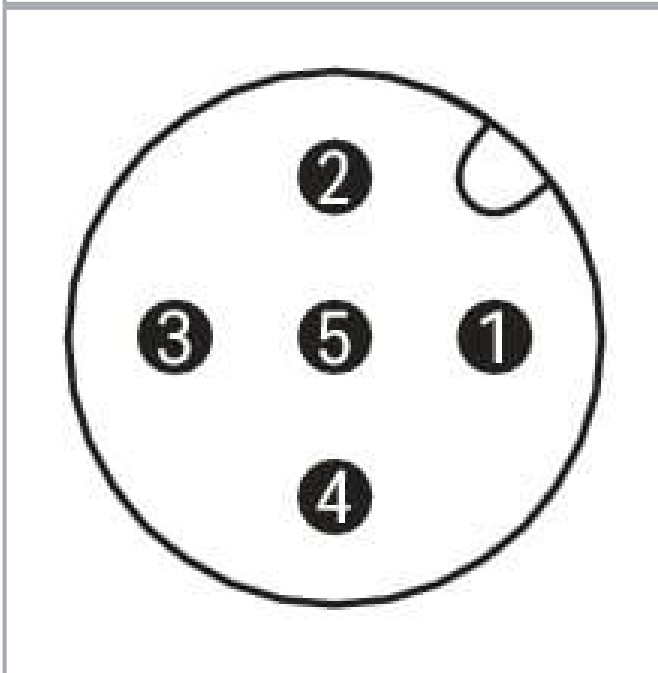
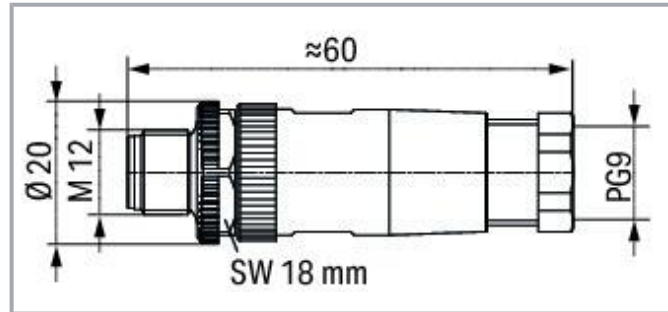


Data sheet | Item number: 756-9203/050-000

Fitted pluggable connector; 5-pole; M12 plug, straight, A-coded; Spring

[www.wago.com/756-9203/050-000](http://www.wago.com/756-9203/050-000)



Subject to changes. Please also observe the further product documentation!

WAGO GmbH & Co. KG  
Hansastr. 27  
32423 Minden  
Phone: +49571 887-0 | Fax: +49571 887-169  
Email: [info.de@wago.com](mailto:info.de@wago.com) | Web: [www.wago.com](http://www.wago.com)

Do you have any questions about our products?  
We are always happy to take your call at +49 (571) 887-44222.



## Data

### Technical data

Connection type	M12 plug
Pole number	5
Cable connection direction to mating direction	0°
Connector interface coding (cable/adapter) 1 1	A-coded
Contact resistance	≤3 mΩ

### Connection data

Connection type 1	Spring clamp technology
Solid conductor	0.14 ... 0.5 mm <sup>2</sup>

### Mechanical Data

Connectable sheathed cable diameter	6 ... 8 mm
Housing material	PA
Contact material	CuZn
Contact plating	Gold
Dichtungsmaterial	Seal: Neoprene
Mating cycles (max.)	100
Weight	22 g

### Environmental requirements

Ambient temperature (operation)	-25 ... +85 °C
Protection type	IP67
Note on protection type	in locked position
Pollution degree	3

### Commercial data

eCl@ss 10.0	27-24-26-92
eCl@ss 9.0	27-24-26-92
ETIM 8.0	EC002584
ETIM 7.0	EC002584
PU (SPU)	5 (1) pcs
Packaging type	box
Country of origin	DE
GTIN	4050821114192

Subject to changes. Please also observe the further product documentation!



Customs tariff number	85366990990
-----------------------	-------------

## Environmental Product Compliance

CAS-No.	96-45-7
REACH Candidate List Substance	Ethylene thiourea
RoHS Compliance Status	Compliant, No Exemption
SCIP notification number (Austria)	2d6b467e-c7fe-445c-bba7-65eb3d23d8bb
SCIP notification number (Belgium)	69b1f441-fee5-4724-bd13-af799e326a34
SCIP notification number (Bulgaria)	3e9c7c64-8608-4e4c-8f6f-8b4938a0944f
SCIP notification number (Czech Republic)	c1dbced5-3a82-4d56-b988-28cbee09ccb
SCIP notification number (Denmark)	739b8519-a3d7-4ad1-a61e-362e14c13a40
SCIP notification number (Finland)	5aab8af0-837c-442f-ae89-59439346b73e
SCIP notification number (France)	02d3c3b0-d6df-48e1-b47d-6dd66d622b53
SCIP notification number (Germany)	db27f3fa-23db-4f6b-be23-dc6354c656d7
SCIP notification number (Hungary)	bfe31835-7398-4de6-9f84-df23bbbff9f9
SCIP notification number (Italy)	d88b3e1c-4d7f-4aae-9607-63107a617553
SCIP notification number (Netherlands)	9834b1d9-b4c7-4e94-b48a-abe73eaddeef
SCIP notification number (Poland)	22f9c5c0-353e-4282-9354-101ce7b860fc
SCIP notification number (Romania)	5145bb7c-8570-4bfa-92fe-20e0509cd185
SCIP notification number (Sweden)	e270d587-0e18-4884-8440-8f606786e636

## Downloads

### CAD/CAE-Data

#### CAE data

WSCAD Universe 756-9203/050-000	<a href="#">URL</a>	<a href="#">Download</a>
WSCAD Universe 756-9203/050-000	<a href="#">URL</a>	<a href="#">Download</a>

## Environmental Product Compliance

### Compliance Search

Environmental Product Compliance 756-9203/050-000	<a href="#">URL</a>	<a href="#">Download</a>
Fitted pluggable connector; 5-pole; M12 plug, straight, A-coded; Spring		

## Installation Notes

Subject to changes. Please also observe the further product documentation!

WAGO GmbH & Co. KG  
Hansastr. 27  
32423 Minden  
Phone: +49571 887-0 | Fax: +49571 887-169  
Email: [info.de@wago.com](mailto:info.de@wago.com) | Web: [www.wago.com](http://www.wago.com)

Do you have any questions about our products?  
We are always happy to take your call at +49 (571) 887-44222.