

Talema Group, LLC

900 Innovation Drive, Suite 120

PO Box 935

Rolla, Missouri 65402

Tel: Int.+1 573 303-3675 ext 802

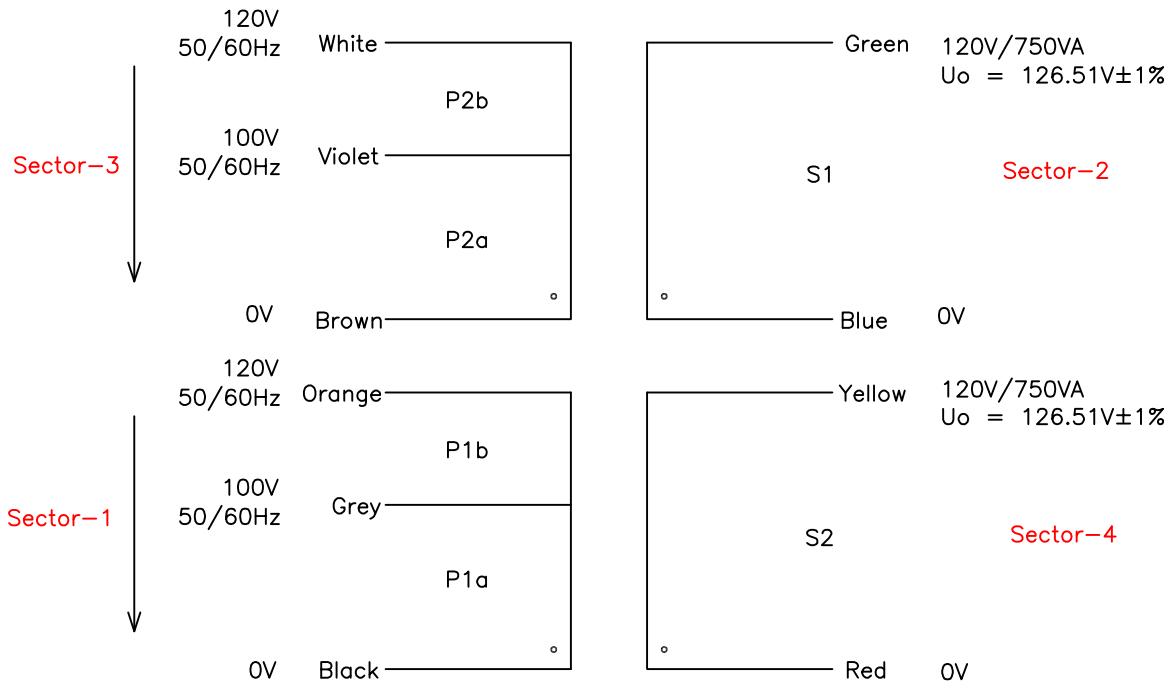
Email : sales@talemagroup.com

Website : www.talema.com



Customer	Digikey	Page : 01 of 02
Product	1500VA Sector Cap Transformer	
Part No	85245ZZ-P2S2SC	Date : 27.9.2022
Customer part no	--	

SCHEMATIC



ELECTRICAL SPECIFICATIONS

1. Di-electric strength = 4.5KVrms Primary to Secondary
2. Frequency 50-60Hz
3. Leakage current <100µA @ 264V/50Hz
4. Electrical tolerance ±3%
5. UL Recognized Insulation system Class 130° (B)
6. Recognized to UL60601-1 Edition 3

Marking:

TALMEA IN W/Y
85245ZZ-P2S2SC



PRI: 2x(0-100-120)V, 50/60Hz SEC: 2x(0-120)V / 1500VA
(BLK-GRY-ORG)(BRN-VIO-WHI) (BLU-GRN)(RED-YEL)

US Patent: 10,056,184 B2
EU Patent: 3365901
Indian Patent: 378739

LEADOUTS

- Primary leads are UL1015 AWG14, 300±10mm long out of trafo, ends 10±1mm stripped.
- Secondary leads are UL1015 AWG16, 300±10mm long out of trafo, ends 10±1mm stripped.
- All leads are individually sleeved with Acryflex-F tube, 60±5mm long out of trafo.

	Rev.	Description	Date	Name	
	3				
	2				
	1	Leadouts changed from solid copper to Flexwire	27.09.2022	M.R.Thayalan	
	0	Initial release	12.02.2022	M.R.Thayalan	
PROTO COPY			ISSUE : 1	REV : 1	

Talema Group, LLC

900 Innovation Drive, Suite 120

PO Box 935

Rolla, Missouri 65402

Tel: Int.+1 573 303-3675 ext 802

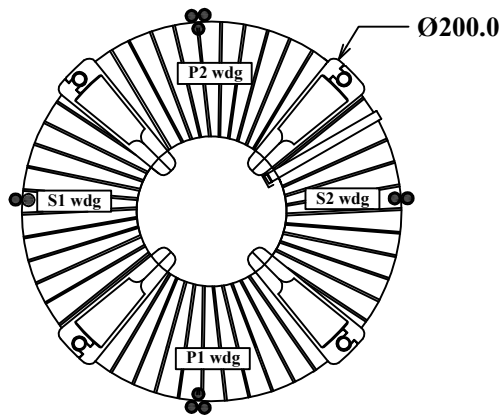
Email : sales@talemagroup.com

Website : www.talema.com

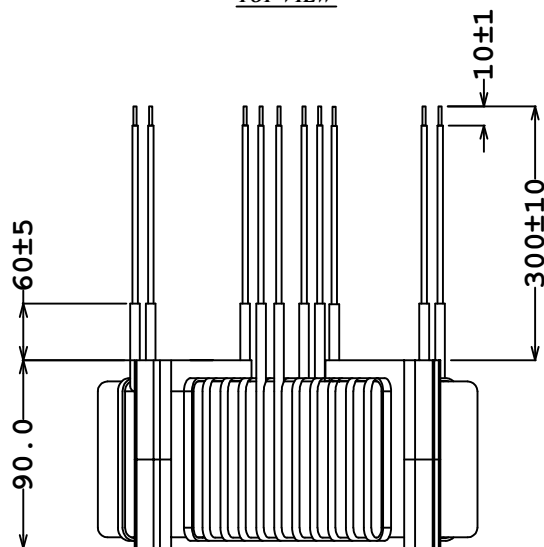


Customer	Digikey	Page : 02 of 02 Date : 27.09.2022
Product	1500VA Sector Cap Transformer	
Part No	85245ZZ-P2S2SC	
Customer part no	--	

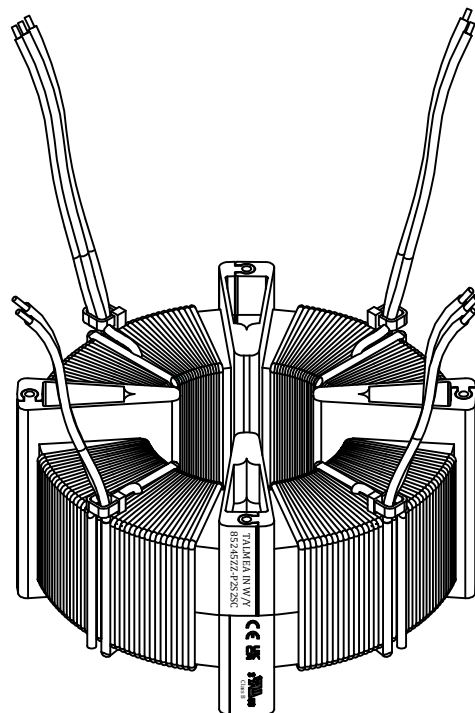
MECHANICAL SPECIFICATIONS



TOP VIEW



FRONT VIEW



ISOMETRIC VIEW

MOUNTING

4 x Mounting holes for M3 screws enable mounting

⚡ Handling of transformer using Flexwires must be avoided ⚡



Rev.	Description	Unit : mm	Tolerance : ±3mm
		Date	Name
3			
2			
1	Leadouts changed from solid copper to Flexwire	27.09.2022	M.R.Thayalan
0	Initial release	12.02.2022	M.R.Thayalan
PROTO COPY		ISSUE : 1	REV : 1