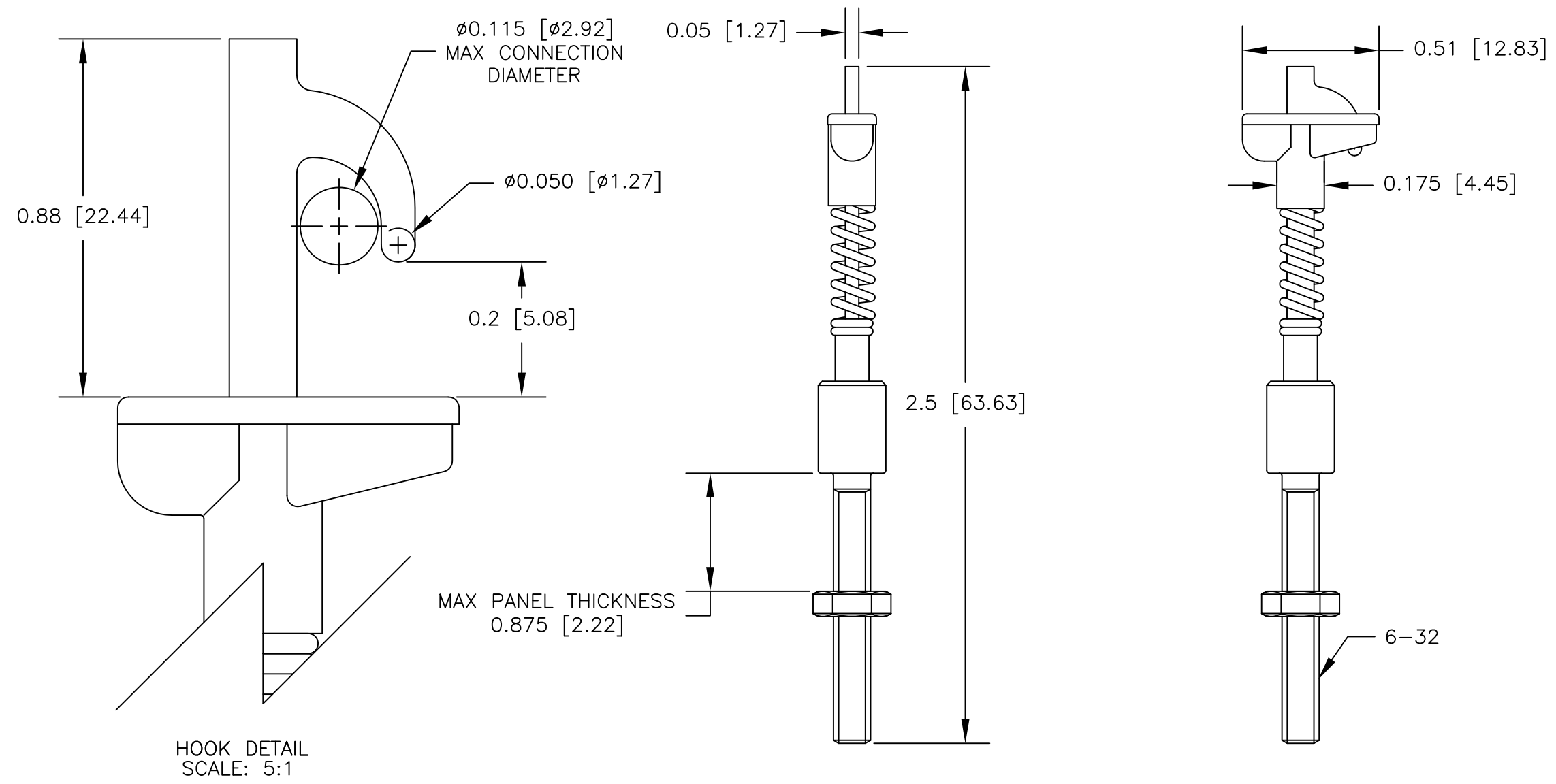


NOTES: UNLESS OTHERWISE SPECIFIED

1. CONSTRUCTION:
 SLIDE: MOLDED NYLON. AVAILABLE IN TEN COLORS.
 CONTACT: COPPER, NICKEL & TIN PLATED STEEL
 SPRING: STAINLESS STEEL
 STUDS: ZINC PLATED STEEL
 NUT: SS OR NICKEL PLATED BRASS.

2. PERFORMANCE:
 MAXIMUM CURRENT: 10 AMPS
 MAXIMUM VOLTAGE: 0 V
 MAXIMUM TEMPERATURE: 200°F (93°C)

REVISIONS			
LTR	DESCRIPTION	DATE	APPROVED



HOOK DETAIL
SCALE: 5:1

ACTUAL SIZE

UNLESS OTHERWISE SPECIFIED DIMENSIONS ARE IN INCHES TOLERANCES ARE: FRACTIONS DECIMALS ANGLES ± .XX ± ± .XXX ±		CONTRACT NO.		E-Z-HOOK DIVISION OF TEKTEST INC. ARCADIA, CA 91006 U.S.A.	
MATERIAL SEE NOTE.		APPROVALS	DATE		
FINISH SEE NOTE.		DRAWN	R.L.	10/16	DESCRIPTION TERMINAL CLIP ON 6-32 THREADED POST
NEXT ASSY		APPROVED BY		SIZE	
APPLICATION		DO NOT SCALE DRAWING		B	CODE IDENT NO.
				08505	DRAWING NO.
				8607-6	REV.
				SCALE	3:1
				SHEET 1 OF 1	