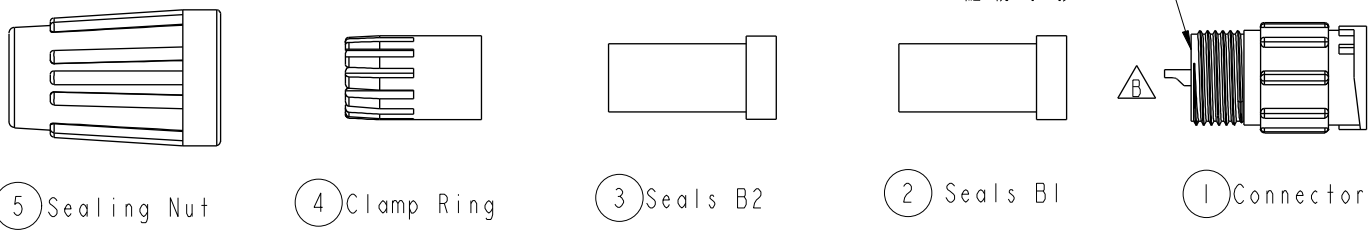


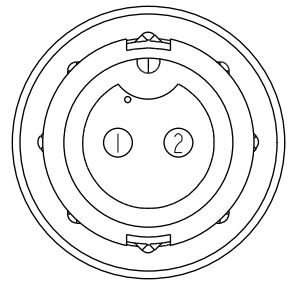
REV.	ECN NO.	DATE	SIGN	DESCRIPTION
B	LEN-050036	2009/11/21	Li Xiu Zhi	Change View



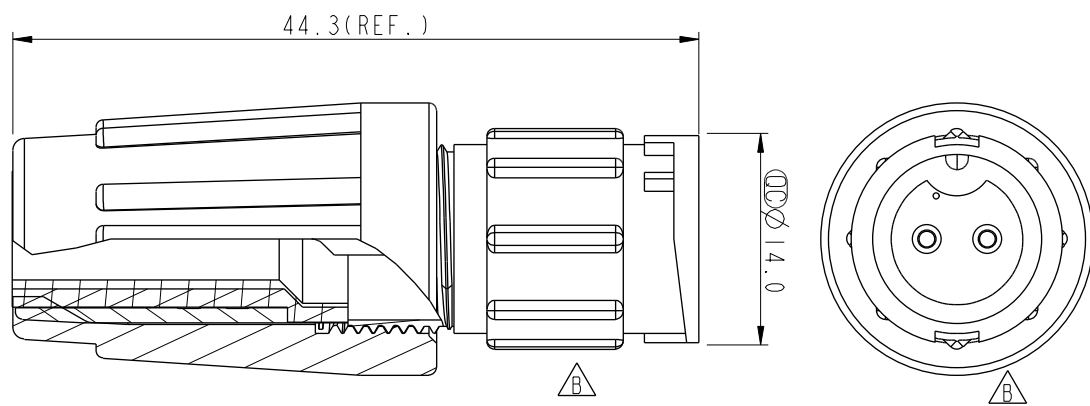
ALTW
DCC. DEPT.
CONFIDENTIAL
2012-03-15
ISSUED

ALTW
CONFIDENTIAL
2012-03-14
R&D DEPT.

- Note:
- * \varnothing Important Dimension.
 - * Waterproof Rate : IP66
 - * Housing: Nylon+GF, Black
 - * Female Pin: Copper Alloy, Gold Plated
 - * Seals: EPDM, Black
 - * Clamping Ring: Nylon, Black
 - * Sealing Nut: Nylon, Black
 - * PE Bag: 90mm*85mm
 - * Seals B1 for Cable OD: $\varnothing 4.5\text{mm} \sim \varnothing 6.5\text{mm}$
(防水墊圈B1線徑: $\varnothing 4.5\text{mm} \sim \varnothing 6.5\text{mm}$)
 - * Seals B2 for Cable OD: $\varnothing 3.5\text{mm} \sim \varnothing 5.3\text{mm}$
(防水墊圈B2線徑: $\varnothing 3.5\text{mm} \sim \varnothing 5.3\text{mm}$)
 - * One Set Unassembled in One PE Bag
(每一組未組裝, 放置於一個PE袋, 並封口)



Pin Assignments
Front View 前視圖



UNIT: mm		TITLE Standard, Assy Lock 2Pin M Conn F Pin			ITEM NO. BD-02BMFA-LL6001	DRAWN BY SamChang	DATE 2012-03-14		
		TOLERANCE .X ±0.25 .XX ±0.1 .XXX ±0.05 ANGLES ±1°			SCALE 1:1	SIZE A4	SHEET 1 OF 1	DWG NO. BD-02BMFA-LL6001	CHECKED BY Jeffrey
		REV. B	WC-REV. A.3	Inspection item	Amphenol LTW 安費諾亮泰企業股份有限公司		CUSTOMER ALTW	APPROVED BY Kevin	DATE 2012-03-15

THIS DOCUMENT IS SUBJECT TO CHANGE WITHOUT NOTICE. IT IS CONFIDENTIAL AND A PROPERTY OF AMPHENOL LTW. DISCLOSURE TO THIRD PARTY HAS TO BE AUTHORIZED BY AMPHENOL LTW.