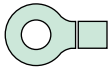
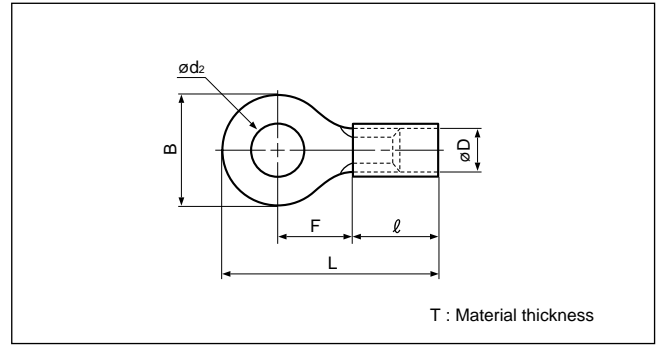
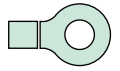


Solderless terminals



RING TONGUE (R type) vinyl-insulated (straight)



Certificate No.: E42024 LR20812 JQ0608019
JIS C 2805

| Applicable Wire AWG#(mm ²) | Stud size | | Part No. | | Standard | Dimensions mm (in.) | | | | | | | Color | Tool No. | Qty/box |
|---|-----------|--------|-----------|-------------|----------|---------------------|--------------|--------------|-------------|----------------|---------------|---------------|--------|---|---------|
| | American | Metric | JST | JIS | | ϕd_2 | B | L | F | ℓ | ϕD | T | | | |
| 26 to 22 (0.2 to 0.5) | 1-2 | 2 | V0.5-2 | | | 2.2 (.087) | 5.2 (.205) | 16.4 (.646) | 5.8 (.228) | 8.0 (.315) | 1.9 (.075) | 0.5 (.020) | Yellow | YNT-2622 YA-1 YA-2 BCT-0514L | 1,000 |
| | 3-4 | 3 | V0.5-3 | | | 3.2 (.126) | 5.2 (.205) | 16.4 (.646) | 5.8 (.228) | | | | | | |
| | 5-6 | 3.5 | V0.5-3.7 | | | 3.7 (.146) | 6.6 (.260) | 19.0 (.748) | 7.7 (.303) | | | | | | |
| | 8 | 4 | V0.5-4 | | | 4.3 (.169) | 6.6 (.260) | 19.0 (.748) | 7.7 (.303) | | | | | | |
| | 10 | 5 | V0.5-5 | | | 5.3 (.209) | 8.0 (.315) | 19.0 (.748) | 7.0 (.276) | | | | | | |
| 22 to 16 (0.25 to 1.65) | 1-2 | 2 | V1.25-2 | | | 2.2 (.087) | 5.5 (.217) | 15.7 (.618) | 4.0 (.157) | 9.0 (.354) | 3.2 (.126) | 0.8 (.031) | Red | YNT-2216 YA-1 YA-2 YA-4 BCT-0514L | 1,000 |
| | 3-4 | 3 | V1.25-3 | RAA1.25-3 | | 3.2 (.126) | 5.5 (.217) | 15.7 (.618) | 4.0 (.157) | | | | | | |
| | 3-4 | 3 | V1.25-MS3 | | | 3.2 (.126) | 5.5 (.217) | 17.4 (.685) | 5.6 (.220) | | | | | | |
| | 3-4 | 3 | V1.25-L3 | | | 3.2 (.126) | 8.0 (.315) | 20.0 (.787) | 7.0 (.276) | | | | | | |
| | 5-6 | 3.5 | V1.25-3.7 | | | 3.7 (.146) | 5.5 (.217) | 15.7 (.618) | 4.0 (.157) | | | | | | |
| | 5-6 | 3.5 | V1.25-M3 | RAA1.25-3.5 | | 3.7 (.146) | 6.6 (.260) | 18.6 (.732) | 6.3 (.248) | | | | | | |
| | 8 | 4 | V1.25-M4 | | | 4.3 (.169) | 6.6 (.260) | 18.6 (.732) | 6.3 (.248) | | | | | | |
| | 8 | 4 | V1.25-4 | RAA1.25-4 | | 4.3 (.169) | 8.0 (.315) | 20.0 (.787) | 7.0 (.276) | | | | | | |
| | 10 | 5 | V1.25-5NS | | | 5.3 (.209) | 9.0 (.354) | 24.6 (.969) | 11.1 (.437) | | | | | | |
| | 10 | 5 | V1.25-5 | RAA1.25-5 | | 5.3 (.209) | 8.0 (.315) | 20.0 (.787) | 7.0 (.276) | | | | | | |
| | 1/4 | 6 | V1.25-6 | | | 6.4 (.252) | 11.6 (.457) | 25.9 (1.020) | 11.1 (.437) | | | | | | |
| | 5/16 | 8 | V1.25-8 | | | 8.4 (.331) | 11.6 (.457) | 25.9 (1.020) | 11.1 (.437) | | | | | | |
| | 3/8 | 10 | V1.25-10 | | | 10.5 (.413) | 13.6 (.535) | 29.7 (1.169) | 13.9 (.547) | | | | | | |
| 16 to 14 (1.04 to 2.63) | 1-2 | 2 | V2-S2 | | | 2.2 (.087) | 6.4 (.252) | 16.5 (.650) | 4.3 (.169) | 9.0 (.354) | 3.9 (.154) | 0.8 (.031) | Blue | YNT-1614 YA-1 YA-2 YA-4 BCT-0514L | 1,000 |
| | 3-4 | 3 | V2-MS3 | | | 3.2 (.126) | 5.5 (.217) | 17.4 (.685) | 5.6 (.220) | | | | | | |
| | 3-4 | 3 | V2-S3.3 | | | 3.2 (.126) | 6.4 (.252) | 16.5 (.650) | 4.3 (.169) | | | | | | |
| | 3-4 | 3 | V2-3 | | | 3.2 (.126) | 8.5 (.335) | 21.0 (.827) | 7.8 (.307) | | | | | | |
| | 5-6 | 3.5 | V2-S3 | | | 3.7 (.146) | 6.4 (.252) | 16.5 (.650) | 4.3 (.169) | | | | | | |
| | 5-6 | 3.5 | V2-M3 | RAA2-3.5 | | 3.7 (.146) | 6.6 (.260) | 18.6 (.732) | 6.3 (.248) | | | | | | |
| | 5-6 | 3.5 | V2-P3.5 | | | 3.7 (.146) | 7.0 (.276) | 20.2 (.780) | 7.7 (.303) | | | | | | |
| | 8 | 4 | V2-M4 | | | 4.3 (.169) | 6.6 (.260) | 18.6 (.732) | 6.3 (.248) | | | | | | |
| | 8 | 4 | V2-P4 | | | 4.3 (.169) | 7.0 (.276) | 20.2 (.800) | 7.7 (.303) | | | | | | |
| | 8 | 4 | V2-4 | RAA2-4 | | 4.3 (.169) | 8.5 (.335) | 21.0 (.827) | 7.8 (.307) | | | | | | |
| | 10 | 5 | V2-M5 | | | 5.3 (.209) | 8.5 (.335) | 21.0 (.827) | 7.8 (.307) | | | | | | |
| | 10 | 5 | V2-5NS | | | 5.3 (.209) | 9.0 (.354) | 24.5 (.965) | 11.0 (.433) | | | | | | |
| | 10 | 5 | V2-5 | RAA2-5 | | 5.3 (.209) | 9.5 (.374) | 21.0 (.827) | 7.3 (.287) | | | | | | |
| | 1/4 | 6 | V2-6 | RAA2-6 | | 6.4 (.252) | 12.0 (.472) | 26.0 (1.024) | 11.0 (.433) | | | | | | |
| | 5/16 | 8 | V2-8 | RAA2-8 | | 8.4 (.331) | 12.0 (.472) | 26.0 (1.024) | 11.0 (.433) | | | | | | |
| | 3/8 | 10 | V2-10 | | | 10.5 (.413) | 13.6 (.535) | 29.7 (1.169) | 13.9 (.547) | | | | | | |
| | 1/2 | 12 | V2-12 | | | 13.0 (.512) | 19.0 (.748) | 35.2 (1.386) | 16.7 (.657) | | | | | | |
| | 1/2 | 14 | V2-14 | | | 15.0 (.591) | 27.0 (1.063) | 43.7 (1.720) | 21.2 (.835) | | | | | | |
| | 5/8 | 16 | V2-16 | | | 17.0 (.669) | 27.0 (1.063) | 43.7 (1.720) | 21.2 (.835) | | | | | | |
| | 3/4 | 20 | V2-20 | | | 21.0 (.827) | 27.0 (1.063) | 43.7 (1.720) | 21.2 (.835) | | | | | | |
| 12 to 10 (2.63 to 6.64) | 5-6 | 3.5 | V5.5-S3 | | | 3.7 (.146) | 7.2 (.283) | 23.0 (.906) | 5.9 (.232) | 13.5 (.531) | 5.4 (.213) | 1.0 (.039) | Yellow | YNT-1210S YA-4 BCT-0514L | 500 |
| | 3-4 | 3 | V5.5-3 | | | 3.2 (.126) | 9.5 (.374) | 26.5 (1.043) | 8.3 (.327) | | | | | | |
| | 8 | 4 | V5.5-S4 | | | 4.3 (.169) | 7.2 (.283) | 23.0 (.906) | 5.9 (.232) | | | | | | |
| | 8 | 4 | V5.5-4 | RAA5.5-4 | | 4.3 (.169) | 9.5 (.374) | 26.5 (1.043) | 8.3 (.327) | | | | | | |
| | 10 | 5 | V5.5-5 | RAA5.5-5 | | 5.3 (.209) | 9.5 (.374) | 26.5 (1.043) | 8.3 (.327) | | | | | | |
| | 10 | 5 | V5.5-S5 | | | 5.3 (.209) | 13.2 (.520) | 29.1 (1.146) | 9.0 (.354) | | | | | | |
| | 1/4 | 6 | V5.5-6 | RAA5.5-6 | | 6.4 (.252) | 12.0 (.472) | 32.5 (1.280) | 13.0 (.512) | | | | | | |
| | 1/4 | 6 | V5.5-S6 | | | 6.4 (.252) | 13.2 (.520) | 29.1 (1.146) | 9.0 (.354) | | | | | | |
| | 5/16 | 8 | V5.5-S8 | | | 8.4 (.331) | 13.2 (.520) | 29.1 (1.146) | 9.0 (.354) | | | | | | |
| | 5/16 | 8 | V5.5-8 | RAA5.5-8 | | 8.4 (.331) | 15.0 (.591) | 34.7 (1.366) | 13.7 (.539) | | | | | | |
| | 3/8 | 10 | V5.5-10 | RAA5.5-10 | | 10.5 (.413) | 15.0 (.591) | 34.7 (1.366) | 13.7 (.539) | | | | | | |
| | 1/2 | 12 | V5.5-12 | | | 13.0 (.512) | 19.2 (.756) | 39.1 (1.539) | 16.0 (.630) | | | | | | |
| | 1/2 | 14 | V5.5-14 | | | 15.0 (.591) | 32.0 (1.260) | 54.8 (2.157) | 25.3 (.996) | | | | | | |
| | 5/8 | 16 | V5.5-16 | | | 17.0 (.669) | 32.0 (1.260) | 54.8 (2.157) | 25.3 (.996) | | | | | | |
| | 11/16 | 18 | V5.5-18 | | | 19.0 (.748) | 32.0 (1.260) | 54.8 (2.157) | 25.3 (.996) | | | | | | |
| | 3/4 | 20 | V5.5-20 | | | 21.0 (.827) | 32.0 (1.260) | 54.8 (2.157) | 25.3 (.996) | | | | | | |

Note: 1) Products with the JIS mark conform to JIS C2805.

2) *The crimping will be more secure if the total cross-sectional area of the wire is at least 0.5 mm².

Examples: If the cross-sectional area of the wire is 0.3 mm², fold the wire in two when crimping the terminal.

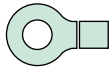
If the cross-sectional area of the wire is 0.5 mm², crimp the terminal onto the wire as it is.

3) The part numbers indicated in the above table are for products with a brazed seam.

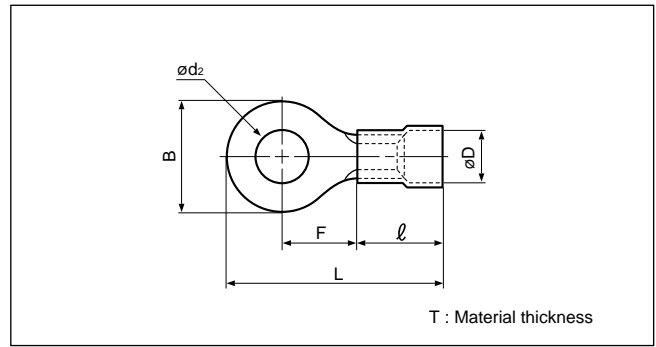
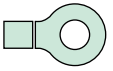
When ordering products with a butted seam, add the prefix "WS" to the part number (ex. V2-4 → VWS2-4).

4) Delivery lead times may vary depending on the product. Contact JST for details.

Solderless terminals



RING TONGUE (R type) Vinyl-insulated (flared)



Certificate No.: E42024 LR20812 JQ0608019 JIS C 2805

| Applicable Wire AWG#(mm ²) | Stud size | | Part No. | | Standard | Dimensions mm (in.) | | | | | | Color | Tool No. | Qty/box | |
|---|-------------------------------|--------|-------------|-------------|-------------|---------------------|-------------|-------------|-------------|----------------|---------------|---------------|----------|---|-------|
| | American | Metric | JST | JIS | | ϕd_2 | B | L | F | ℓ | ϕD | | | | T |
| 26 to 22 (0.2 to 0.5) | 1-2 | 2 | FV0.5-2 | | | 2.2 (.087) | 5.2 (.205) | 16.4 (.646) | 5.8 (.228) | 8.0 (.315) | 2.9 (.114) | 0.5 (.020) | Yellow | YNT-2622 YA-1 YA-2 BCT-0514L | 1,000 |
| | 3-4 | 3 | FV0.5-3 | | | 3.2 (.126) | 5.2 (.205) | 16.4 (.646) | 5.8 (.228) | | | | | | |
| | 5-6 | 3.5 | FV0.5-3.7 | | | 3.7 (.146) | 6.6 (.260) | 19.0 (.748) | 7.7 (.303) | | | | | | |
| | 8 | 4 | FV0.5-4 | | | 4.3 (.169) | 6.6 (.260) | 19.0 (.748) | 7.7 (.303) | | | | | | |
| | 10 | 5 | FV0.5-5 | | | 5.3 (.209) | 8.0 (.315) | 19.0 (.748) | 7.0 (.276) | | | | | | |
| 22 to 16 (*0.25 to 1.65) | 1-2 | 2 | FV1.25-2 | | | 2.2 (.087) | 5.5 (.217) | 15.7 (.618) | 4.0 (.157) | 9.0 (.354) | 4.0 (.157) | 0.8 (.031) | Red | YNT-2216 YA-1 YA-2 YA-4 BCT-0514L | 1,000 |
| | 3-4 | 3 | FV1.25-3 | RBA1.25-3 | | 3.2 (.126) | 5.5 (.217) | 15.7 (.618) | 4.0 (.157) | | | | | | |
| | 3-4 | 3 | FV1.25-MS3 | | | 3.2 (.126) | 8.0 (.315) | 20.0 (.787) | 7.0 (.276) | | | | | | |
| | 3-4 | 3 | FV1.25-L3 | | | 3.7 (.146) | 5.5 (.217) | 15.7 (.618) | 4.0 (.157) | | | | | | |
| | 5-6 | 3.5 | FV1.25-3.7 | | | 3.7 (.146) | 5.5 (.217) | 15.7 (.618) | 4.0 (.157) | | | | | | |
| | 5-6 | 3.5 | FV1.25-M3 | RBA1.25-3.5 | | 3.7 (.146) | 6.6 (.260) | 18.6 (.732) | 6.3 (.248) | | | | | | |
| | 8 | 4 | FV1.25-M4 | | | 4.3 (.169) | 6.6 (.260) | 18.6 (.732) | 6.3 (.248) | | | | | | |
| | 8 | 4 | FV1.25-4 | RBA1.25-4 | | 4.3 (.169) | 8.0 (.315) | 20.0 (.787) | 7.0 (.276) | | | | | | |
| | 10 | 5 | FV1.25-5 | RBA1.25-5 | | 5.3 (.209) | 8.0 (.315) | 20.0 (.787) | 7.0 (.276) | | | | | | |
| | 1/4 | 6 | FV1.25-6 | | | 6.4 (.252) | 11.6 (.457) | 25.9(1.020) | 11.1 (.437) | | | | | | |
| | 5/16 | 8 | FV1.25-8 | | | 8.4 (.331) | 11.6 (.457) | 25.9(1.020) | 11.1 (.437) | | | | | | |
| | 3/8 | 10 | FV1.25-10 | | | 10.5 (.413) | 13.6 (.535) | 29.7(1.169) | 13.9 (.547) | | | | | | |
| | 16 to 14 (1.04 to 2.63) | 1-2 | 2 | FV2-S2 | | | | 2.2 (.087) | 6.4 (.252) | | | | | | |
| 3-4 | | 3 | FV2-MS3 | | 3.2 (.126) | 5.5 (.217) | | 17.4 (.685) | 5.6 (.220) | | | | | | |
| 3-4 | | 3 | FV2-S3.3 | | 3.2 (.126) | 6.4 (.252) | | 16.5 (.650) | 4.3 (.169) | | | | | | |
| 3-4 | | 3 | FV2-3 | | 3.2 (.126) | 8.5 (.335) | | 21.0 (.827) | 7.8 (.307) | | | | | | |
| 5-6 | | 3.5 | FV2-S3 | | 3.7 (.146) | 6.4 (.252) | | 16.5 (.650) | 4.3 (.169) | | | | | | |
| 5-6 | | 3.5 | FV2-M3 | RBA2-3.5 | 3.7 (.146) | 6.6 (.260) | | 18.6 (.732) | 6.3 (.248) | | | | | | |
| 5-6 | | 3.5 | FV2-P3.5 | | 3.7 (.146) | 7.0 (.276) | | 20.2 (.780) | 7.7 (.303) | | | | | | |
| 8 | | 4 | FV2-M4 | | 4.3 (.169) | 6.6 (.260) | | 18.6 (.732) | 6.3 (.248) | | | | | | |
| 8 | | 4 | FV2-P4 | | 4.3 (.169) | 7.0 (.276) | | 20.2 (.800) | 7.7 (.303) | | | | | | |
| 8 | | 4 | FV2-4 | RBA2-4 | 4.3 (.169) | 8.5 (.335) | | 21.0 (.827) | 7.8 (.307) | | | | | | |
| 10 | | 5 | FV2-M5 | | 5.3 (.209) | 8.5 (.335) | | 21.0 (.827) | 7.8 (.307) | | | | | | |
| 10 | | 5 | FV2-5 | RBA2-5 | 5.3 (.209) | 9.5 (.374) | | 21.0 (.827) | 7.3 (.287) | | | | | | |
| 1/4 | | 6 | FV2-6 | RBA2-6 | 6.4 (.252) | 12.0 (.472) | | 26.0(1.024) | 11.0 (.433) | | | | | | |
| 5/16 | | 8 | FV2-8 | RBA2-8 | 8.4 (.331) | 12.0 (.472) | | 26.0(1.024) | 11.0 (.433) | | | | | | |
| 3/8 | | 10 | FV2-10 | | 10.5 (.413) | 13.6 (.535) | | 29.7(1.169) | 13.9 (.547) | | | | | | |
| 1/2 | | 12 | FV2-12 | | 13.0 (.512) | 19.0 (.748) | | 35.2(1.386) | 16.7 (.657) | | | | | | |
| 1/2 | | 14 | FV2-14 | | 15.0 (.591) | 27.0(1.063) | | 43.7(1.720) | 21.2 (.835) | | | | | | |
| 5/8 | | 16 | FV2-16 | | 17.0 (.669) | 27.0(1.063) | | 43.7(1.720) | 21.2 (.835) | | | | | | |
| 3/4 | | 20 | FV2-20 | | 21.0 (.827) | 27.0(1.063) | | 43.7(1.720) | 21.2 (.835) | | | | | | |
| 12 to 10 (2.63 to 6.64) | 3-4 | 3 | FV5.5-S3.3 | | | 3.2 (.126) | 7.2 (.283) | 23.0 (.906) | 5.9 (.232) | 13.5 (.531) | 6.8 (.268) | 1.0 (.039) | Yellow | YNT-1210S YA-4 BCT-0514L | 500 |
| | 3-4 | 3 | FV5.5-3 | | | 3.2 (.126) | 9.5 (.374) | 26.5(1.403) | 8.3 (.327) | | | | | | |
| | 5-6 | 3.5 | FV5.5-S3 | | | 3.7 (.146) | 7.2 (.283) | 23.0 (.906) | 5.9 (.232) | | | | | | |
| | 5-6 | 3.5 | FV5.5-3.7NS | | | 3.7 (.146) | 7.2 (.283) | 29.2(1.149) | 11.0 (.433) | | | | | | |
| | 8 | 4 | FV5.5-S4 | | | 4.3 (.169) | 7.2 (.283) | 23.0 (.906) | 5.9 (.232) | | | | | | |
| | 8 | 4 | FV5.5-4 | RBA5.5-4 | | 4.3 (.169) | 9.5 (.374) | 26.5(1.043) | 8.3 (.327) | | | | | | |
| | 10 | 5 | FV5.5-5 | RBA5.5-5 | | 5.3 (.209) | 9.5 (.374) | 26.5(1.043) | 8.3 (.327) | | | | | | |
| | 10 | 5 | FV5.5-S5 | | | 5.3 (.209) | 13.2 (.520) | 29.1(1.146) | 9.0 (.354) | | | | | | |
| | 1/4 | 6 | FV5.5-6 | RBA5.5-6 | | 6.4 (.252) | 12.0 (.472) | 32.5(1.280) | 13.0 (.512) | | | | | | |
| | 1/4 | 6 | FV5.5-S6 | | | 6.4 (.252) | 13.2 (.520) | 29.1(1.146) | 9.0 (.354) | | | | | | |
| | 5/16 | 8 | FV5.5-S8 | | | 8.4 (.331) | 13.2 (.520) | 29.1(1.146) | 9.0 (.354) | | | | | | |
| | 5/16 | 8 | FV5.5-8 | RBA5.5-8 | | 8.4 (.331) | 15.0 (.591) | 34.7(1.366) | 13.7 (.539) | | | | | | |
| | 3/8 | 10 | FV5.5-10 | RBA5.5-10 | | 10.5 (.413) | 15.0 (.591) | 34.7(1.366) | 13.7 (.539) | | | | | | |
| | 1/2 | 12 | FV5.5-12 | | | 13.0 (.512) | 19.2 (.756) | 39.1(1.539) | 16.0 (.630) | | | | | | |
| | 1/2 | 14 | FV5.5-14 | | | 15.0 (.591) | 32.0(1.260) | 54.8(2.157) | 25.3 (.996) | | | | | | |
| | 5/8 | 16 | FV5.5-16 | | | 17.0 (.669) | 32.0(1.260) | 54.8(2.157) | 25.3 (.996) | | | | | | |
| | 11/16 | 18 | FV5.5-18 | | | 19.0 (.748) | 32.0(1.260) | 54.8(2.157) | 25.3 (.996) | | | | | | |
| | 3/4 | 20 | FV5.5-20 | | | 21.0 (.827) | 32.0(1.260) | 54.8(2.157) | 25.3 (.996) | | | | | | |

Note: 1) Products with the JIS mark conform to JIS C2805.

2) *The crimping will be more secure if the total cross-sectional area of the wire is at least 0.5 mm².

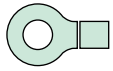
Examples: If the cross-sectional area of the wire is 0.3 mm², fold the wire in two when crimping the terminal.
If the cross-sectional area of the wire is 0.5 mm², crimp the terminal onto the wire as it is.

3) The part numbers indicated in the above table are for products with a brazed seam.

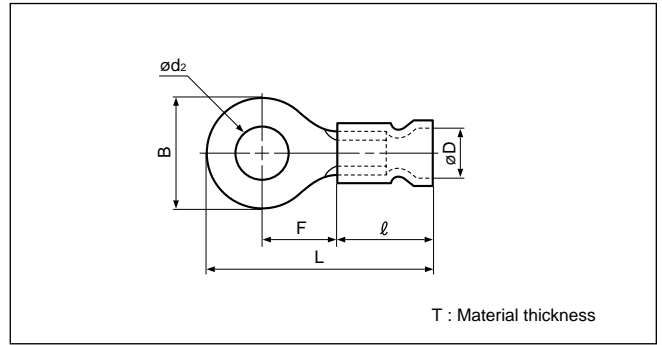
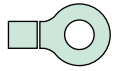
When ordering products with a butted seam, add the prefix "WS" to the part number (ex. FV2-4 → **FVWS2-4**).

4) Delivery lead times may vary depending on the product. Contact JST for details.

Solderless terminals



RING TONGUE (R type) vinyl-insulated (funnel-entry)



Certificate No.: E42024 LR20812

| Applicable Wire AWG# (mm ²) | Stud size | | Part No. | Standard | Dimensions mm (in.) | | | | | | | Color | Tool No. | Qty/box |
|--|-----------|--------|-------------|----------|---------------------|-------------|-------------|-------------|----------------|---------------|---------------|--------|---|---------|
| | American | Metric | | | ϕd_2 | B | L | F | ℓ | ϕD | T | | | |
| 22 to 16 (0.25 to 1.65) | 3-4 | 3 | FVX1.25-3 | | 3.2 (.126) | 5.5 (.217) | 17.5 (.689) | 4.0 (.157) | 10.8 (.425) | 4.0 (.157) | 0.8 (.031) | Red | YNT-2216 YA-1 YA-2 YA-4 BCT-0514L | 1,000 |
| | 3-4 | 3 | FVX1.25-MS3 | | 3.2 (.126) | 5.5 (.217) | 19.2 (.756) | 5.6 (.221) | | | | | | |
| | 5-6 | 3.5 | FVX1.25-M3 | | 3.7 (.146) | 6.6 (.260) | 20.4 (.803) | 6.3 (.248) | | | | | | |
| | 8 | 4 | FVX1.25-M4 | | 4.3 (.169) | 6.6 (.260) | 20.4 (.803) | 6.3 (.248) | | | | | | |
| | 8 | 4 | FVX1.25-4 | | 4.3 (.169) | 8.0 (.315) | 21.8 (.858) | 7.0 (.276) | | | | | | |
| | 10 | 5 | FVX1.25-5 | | 5.3 (.209) | 8.0 (.315) | 21.8 (.858) | 7.0 (.276) | | | | | | |
| 16 to 14 (1.04 to 2.63) | 3-4 | 3 | FVX2-MS3 | | 3.2 (.126) | 5.5 (.217) | 19.2 (.756) | 5.6 (.221) | 10.8 (.425) | 4.6 (.181) | 0.8 (.031) | Blue | YNT-1614 YA-1 YA-2 YA-4 BCT-0514L | 1,000 |
| | 5-6 | 3.5 | FVX2-S3 | | 3.7 (.146) | 6.4 (.252) | 18.3 (.720) | 4.3 (.169) | | | | | | |
| | 5-6 | 3.5 | FVX2-M3 | | 3.7 (.146) | 6.6 (.260) | 20.4 (.803) | 6.3 (.248) | | | | | | |
| | 8 | 4 | FVX2-M4 | | 4.3 (.169) | 6.6 (.260) | 20.4 (.803) | 6.3 (.248) | | | | | | |
| | 8 | 4 | FVX2-4 | | 4.3 (.169) | 8.5 (.335) | 22.8 (.898) | 7.8 (.307) | | | | | | |
| | 10 | 5 | FVX2-5 | | 5.3 (.209) | 9.5 (.374) | 22.8 (.898) | 7.3 (.287) | | | | | | |
| | 1/4 | 6 | FVX2-6 | | 6.4 (.252) | 12.0 (.472) | 27.8(1.094) | 11.0 (.433) | | | | | | |
| 12 to 10 (2.63 to 6.64) | 3-4 | 3 | FVX5.5-3 | | 3.2 (.126) | 9.5 (.374) | 27.0(1.063) | 8.3 (.327) | 14.0 (.551) | 6.8 (.268) | 1.0 (.039) | Yellow | YNT-1210S YA-4 BCT-0514L | 500 |
| | 10 | 5 | FVX5.5-S5 | | 5.3 (.209) | 13.2 (.520) | 29.6(1.165) | 9.0 (.354) | | | | | | |
| | 5/16 | 6 | FVX5.5-S6 | | 6.4 (.252) | 13.2 (.520) | 29.6(1.165) | 9.0 (.354) | | | | | | |
| | 3/8 | 8 | FVX5.5-8 | | 8.4 (.331) | 15.0 (.591) | 35.2(1.386) | 13.7 (.539) | | | | | | |
| | | | | | | | | | | | | | | |

- Note: 1) The part numbers indicated in the above table are for products with a brazed seam.
 When ordering products with a butted seam, add the prefix "WS" to the part number (ex. FVX2-4 --> **FVXWS2-4**).
 2) *The crimping will be more secure if the total cross-sectional area of the wire is at least 0.5 mm².
 Examples: If the cross-sectional area of the wire is 0.3 mm², fold the wire in two when crimping the terminal.
 If the cross-sectional area of the wire is 0.5 mm², crimp the terminal onto the wire as it is.
 3) Delivery lead times may vary depending on the product. Contact JST for details.