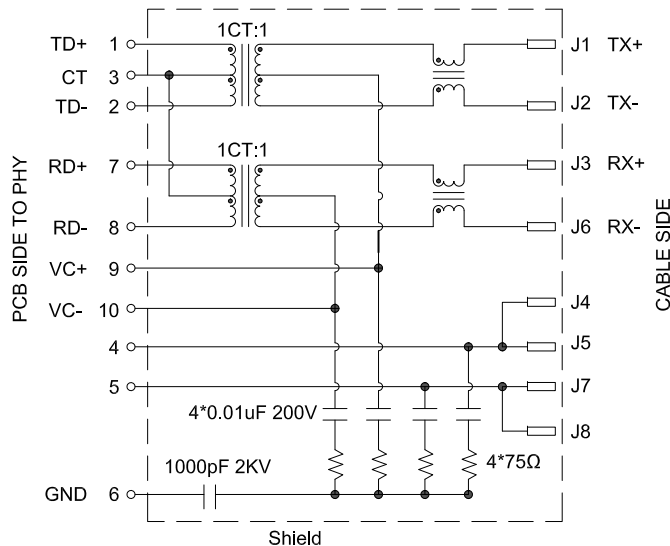


Recommended PCB Layout  
(Top View)



Magnetics Schematic:

**Materials and Finish**

Housing: PBT Thermoplastic  
UL 94V-0 Rated  
Color: Black

Shield: Brass, Nickel Plated

Contact Material: Phosphor Bronze

Plating:

Nickel Underplating, 6µ" Gold  
Plating on Contact Area,  
Tin Plated on Solder Area

**Electrical Characteristics**

Insulation Resistance:  
500 Megohms Min.

Contact Resistance:  
20 milliohms Max.

Dielectric Withstanding Voltage:  
1200V AC for 1 Minute

**Mechanical Characteristics**

Durability Rating: 750 Cycles Min.

Mating Force: 30 N Max.

Operating Temperature: -40°C to +85°C

Storage Temperature: -40°C to +85°C

**Electrical Properties:**

Insertion Loss (dB Max)	Return Loss (dB Min)				Cross Talk (dB Min)			CMR (dB Min)	OCL (uH Min)
	1~10MHz	10~30MHz	30~60MHz	60~80MHz	1~30MHz	30~60MHz	60~100MHz		
-1.0	-20	-16	-12	-10	-40	-35	-30	-35	100KHz, 100mV
									350

Tolerances
X.X ± 0.30
X.XX ± 0.25
Unless Stated Otherwise



REV.	DATE	DESCRIPTION	REV. BY	CHK. BY	DRAWN BY	DATE
A0	04/25/18	New Drawing	J. Elbanna	C. Kelleher		
A0.1	05/29/18	Updated Specs	D. Shehan	G. Serrato	J. Elbanna	04/25/18
A0.2	05/31/18	Corrected SCH & EE Spec	D. Shehan			
A1	07/13/18	Release Drawing	C. Kelleher	N/A		

**G8X-188S7-BP**

8P8C 10/100 Magjack with POE

Tab Down, Shielded

